

Peninsula Wall Cabinets

Construction Options and Modifications

- PE --- Plywood Ends
- APC --- All Plywood Construction
- APFC --- All Plywood Furniture Construction
- DE --- Integrated Decorative End
- FPEB --- Furniture Plywood Ends
- GD --- Glass Doors
- ID --- Increased Depth
- MI --- Matching Interior
- RD --- Reduced Depth
- TWR --- Top Wide Rail
- XS --- Extended Stile
- XSG --- Integrated Extended Stile

PW	33	30
code	width	height

When BUTT is in all capitals, it must be included as part of your ordering nomenclature. A (Butt) in parentheses is for your information and isn't required on an order form.

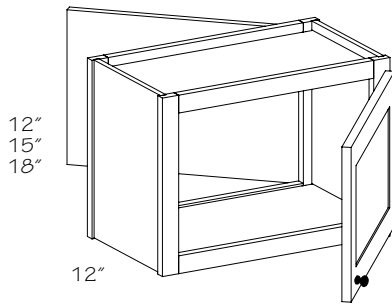
Material dimensions may be nominal based on lumber industry standards.

Specifications subject to change without notice.

Peninsula Wall Single Door 12", 15" and 18" H

(price book pg. D18)

Specify R or L



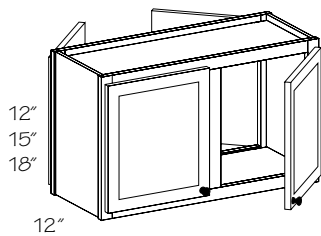
- | | | |
|----------------------|----------------------|----------------------|
| PW1212 R or L | PW1518 R or L | PW2118 R or L |
| PW1512 R or L | PW1818 R or L | |
| PW1812 R or L | | |
| PW2112 R or L | | |
| PW1215 R or L | | |
| PW1515 R or L | | |
| PW1815 R or L | | |
| PW2115 R or L | | |

- No shelf
- Frame backs are *not* finished

- PE
- APC
- APFC
- DE
- FPEB
- GD
- ID
- MI
- RD
- TWR
- XS
- XSG

Peninsula Wall Double Door 12", 15" and 18" H

(price book pg. D20)



- | | | |
|----------------------|----------------------|----------------------|
| PW2412 BUTT | PW2415 BUTT | PW2418 BUTT |
| PW2712 (Butt) | PW2715 (Butt) | PW2718 (Butt) |
| PW3012 | PW3015 | PW3018 |
| PW3312 | PW3315 | PW3318 |
| PW3612 | PW3615 | PW3618 |
| PW3912 | PW3915 | PW3918 |
| * PW4812 | * PW4815 | * PW4818 |

- No shelf
- Frame backs are *not* finished
- Any wall cabinet over 24" wide or 30" high with a depth greater than 12" and/or with butt doors must be installed between two (2) cabinets, a cabinet and a wall or supported from below

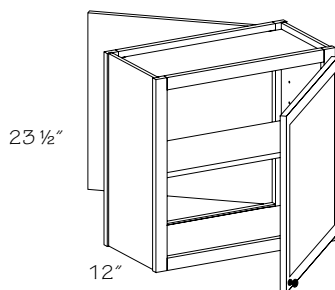
- * Three door cabinet hinged left-left-right
- ☆ Glass door option *not* available

- PE
- APC
- APFC
- DE
- FPEB
- ☆ GD
- ID
- MI
- RD
- TWR
- XS
- XSG

Peninsula Wall Single Door 23 1/2" H

(price book pg. D20)

Specify R or L - Kitchen Side Hinging



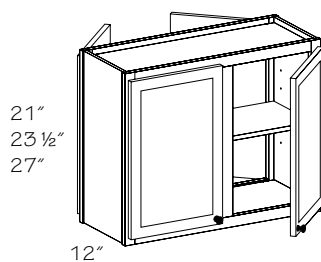
- | |
|----------------------|
| PW1224 R or L |
| PW1524 R or L |
| PW1824 R or L |
| PW2124 R or L |
| PW2424 R or L |

- Right shown
- One adjustable shelf
- Frame backs are *not* finished

- PE
- APC
- APFC
- DE
- FPEB
- GD
- ID
- MI
- RD
- TWR
- XS
- XSG

Peninsula Wall Double Door 21", 23 1/2" and 27" H

(price book pg. D22)

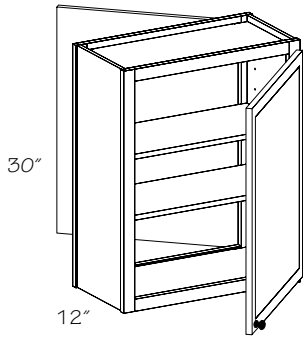


- | | |
|----------------------|--|
| PW3021 | ☆ PW3924 |
| PW3321 | ☆ PW4224 |
| PW3621 | ☆ PW4524 |
| PW2424 BUTT | ☆ PW4824 |
| PW2724 (Butt) | PW3027 |
| PW3024 | PW3327 |
| PW3324 | PW3627 |
| PW3624 | ☆ <i>Not available in Increased Depth (ID)</i> |

- One adjustable shelf
- Frame backs are *not* finished
- Any wall cabinet over 24" wide or 30" high with a depth greater than 12" and/or with butt doors must be installed between two (2) cabinets, a cabinet and a wall or supported from below

- PE
- APC
- APFC
- DE
- FPEB
- GD
- ☆ ID
- MI
- RD
- TWR
- XS
- XSG

Note: Peninsula wall cabinets must be installed against soffit, ceiling or supported by countertop.



Peninsula Wall Single Door 30" H

(price book pg. D22)

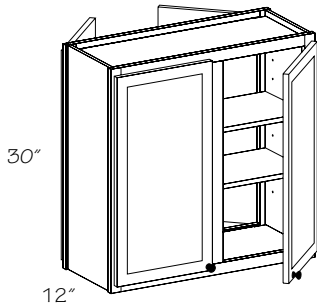
Specify R or L - Kitchen Side Hinging

- * **PW930 R or L**
- * **PW1230 R or L**
- * **PW1530 R or L**
- * **PW1830 R or L**
- * **PW2130 R or L**
- * **PW2430 R or L**

* Doors are square except full overlay arch door styles. Evana Cathedral and Findlay Cathedral door styles will be square. Greenwich, Harlowe, Smithton and Vanderbilt doors will have a solid, recessed flat panel.

- Right shown
- Two adjustable shelves
- Frame backs are **not** finished
- Any wall cabinet over 24" wide or 30" high with a depth greater than 12" and/or with butt doors must be installed between two (2) cabinets, a cabinet and a wall or supported from below

- PE
- APC
- APFC
- DE
- FPEB
- GD
- ID
- MI
- RD
- TWR
- XS
- XSG



Peninsula Wall Double Door 30" H

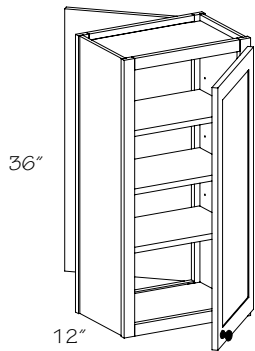
(price book pg. D22)

- * **PW2430 BUTT**
- * **PW2730 (Butt)**
- * **PW3030**
- * **PW3330**
- * **PW3630**
- ☆ **PW3930**
- ☆ **PW4230**
- ☆ **PW4530**
- ☆ **PW4830**

☆ **Not available in Increased Depth (ID)**

- Two adjustable shelves
- Frame backs are **not** finished
- Any wall cabinet over 24" wide or 30" high with a depth greater than 12" and/or with butt doors must be installed between two (2) cabinets, a cabinet and a wall or supported from below

- PE
- APC
- APFC
- DE
- FPEB
- GD
- ☆ ID
- MI
- RD
- TWR
- XS
- XSG



Peninsula Wall Single Door 36" H

(price book pg. D22)

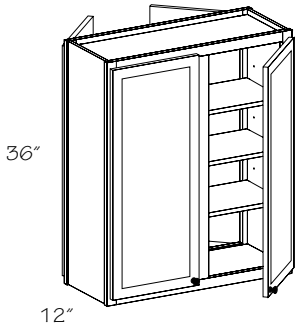
Specify R or L

- * **PW936 R or L**
- * **PW1236 R or L**
- * **PW1536 R or L**
- * **PW1836 R or L**
- * **PW2136 R or L**
- * **PW2436 R or L**

* Doors are square except full overlay arch door styles. Evana Cathedral and Findlay Cathedral door styles will be square. Greenwich, Harlowe, Smithton, and Vanderbilt doors will have a solid, recessed flat panel. Courtney doors will have a veneer, recessed flat panel.

- Three adjustable shelves
- Frame backs are **not** finished
- Any wall cabinet over 24" wide or 30" high with a depth greater than 12" and/or with butt doors must be installed between two (2) cabinets, a cabinet and a wall or supported from below

- PE
- APC
- APFC
- DE
- FPEB
- GD
- ID
- MI
- RD
- TWR
- XS
- XSG



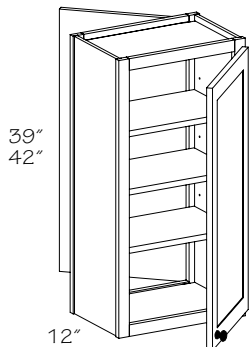
Peninsula Wall Double Door 36" H

(price book pg. D24)

- * **PW2436 BUTT**
- * **PW2736 (Butt)**
- * **PW3036**
- * **PW3336**
- * **PW3636**

- Three adjustable shelves
- Any wall cabinet over 24" wide or 30" high with a depth greater than 12" and/or with butt doors must be installed between two (2) cabinets, a cabinet and a wall or supported from below
- Frame backs are **not** finished

- PE
- APC
- APFC
- DE
- FPEB
- GD
- ID
- MI
- RD
- TWR
- XS
- XSG



Peninsula Wall Single Door 39" and 42" H

(price book pg. D24)

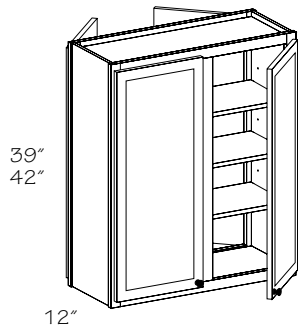
- * **PW939 R or L**
- * **PW1239 R or L**
- * **PW1539 R or L**
- * **PW1839 R or L**
- * **PW2139 R or L**
- * **PW2439 R or L**
- * **PW942 R or L**
- * **PW1242 R or L**
- * **PW1542 R or L**
- * **PW1842 R or L**
- * **PW2142 R or L**
- * **PW2442 R or L**

* Doors are square except full overlay arch door styles. Evana Cathedral and Findlay Cathedral door styles will be square. Greenwich, Harlowe, Smithton and Vanderbilt doors will have a solid, recessed flat panel.

- Three adjustable shelves
- Frame backs are **not** finished
- Any wall cabinet over 24" wide or 30" high with a depth greater than 12" and/or with butt doors must be installed between two (2) cabinets, a cabinet and a wall or supported from below

- PE
- APC
- APFC
- DE
- FPEB
- GD
- ID
- MI
- RD
- TWR
- XS
- XSG

Note: Peninsula wall cabinets must be installed against soffit, ceiling or supported by countertop.



Peninsula Wall Double Door 39" and 42" H

(price book pg. D24)

PW2439 BUTT

PW2739 (Butt)

PW3039

PW3339

PW3639

PW2442 BUTT

PW2742 (Butt)

PW3042

PW3342

PW3642

- Three adjustable shelves
- Any wall cabinet over 24" wide or 30" high with a depth greater than 12" and/or with butt doors must be installed between two (2) cabinets, a cabinet and a wall or supported from below
- Frame backs are *not* finished

●	PE
●	APC
●	APFC
●	DE
●	FPEB
●	GD
●	ID
●	MI
●	RD
	TWR
●	XS
	XSG

Note: Peninsula wall cabinets must be installed against soffit, ceiling or supported by countertop.