

Asymmetrical Wall Easy Reach

Construction Options and Modifications

- --- Available with an upcharge
- ◆ --- Included as standard
- (Blank) - Not available

Material dimensions may be nominal based on lumber industry standards.

Specifications subject to change without notice.

- PE --- Plywood Ends
- APC --- All Plywood Construction
- APFC --- All Plywood Furniture Construction
- DE --- Integrated Decorative End
- FPEB --- Furniture Plywood Ends
- GD --- Glass Doors
- ID --- Increased Depth
- MI --- Matching Interior
- RD --- Reduced Depth
- XS --- Extended Stile

WEZR	24	21	30	R
code	left leg length	right leg length	height	

Asymmetrical Wall Easy Reach

(price book pg. D42)

Specify R or L

Two Shelves

WEZR242130 R or L

WEZR212430 R or L

Three Shelves

WEZR242136 R or L

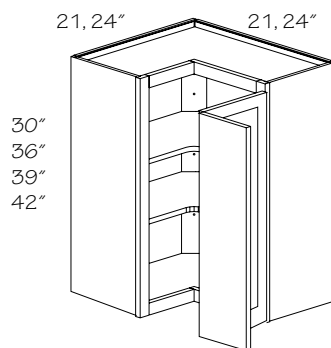
WEZR212436 R or L

WEZR242139 R or L

WEZR212439 R or L

WEZR242142 R or L

WEZR212442 R or L



- Example shown: WEZR 212430R
- Frame opening from left to right edge is 12 7/8"
- Hinged door opens to 170°
- Face frame is scooped for hinge installation on full overlay door styles
- Adjustable shelves
- Doors are square except full overlay arch door styles. Evana Cathedral and Findlay Cathedral door styles will be square. Greenwich, Harlowe, Smithton, and Vanderbilt doors will have a solid, recessed flat panel. Courtney doors will have a veneer, recessed flat panel.

- PE
- APC
- APFC
- DE
- FPEB
- GD
- ID
- MI
- RD
- XS



Remember, all 9" wide doors in 1/2" overlay will be square even on a cathedral door style. If a situation arises and you must use a 9" cabinet, one suggestion is to void the door and order the cabinet with matching interior and use it as a decorative open cabinet.

Peninsula Wall Corner Cabinets

Construction Options and Modifications

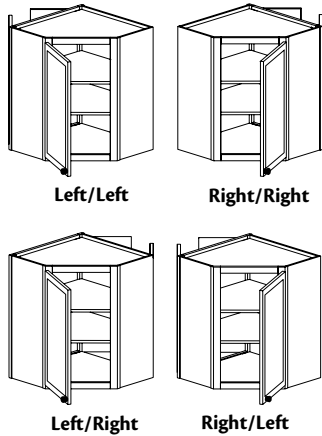
- - - - Available with an upcharge
- ◆ - - - Included as standard
- (Blank) - Not available

- PE - - - Plywood Ends
- APC - - All Plywood Construction
- APFC - - All Plywood Furniture Construction
- FPEB - - Furniture Plywood Ends
- GD - - - Glass Doors
- ID - - - Increased Depth
- MI - - - Matching Interior
- RD - - - Reduced Depth
- XS - - - Extended Stile

Material dimensions may be nominal based on lumber industry standards.

Specifications subject to change without notice.

PWA	24	30	R	L
code	width	height	kitchen side hinging	rear door placement (looking at kitchen side)



Peninsula Wall Angle Example

- Specify R or L rear door position
- The second R or L designates rear frame position looking at kitchen side

PE
APC
APFC
FPEB
GD
ID
MI
RD
XS

Peninsula Wall Angle

(price book pg. D42)

Specify R or L Kitchen Side Hinging
Specify R or L Rear Door Placement
One Shelf

PWA2424 RR or L

PWA2424 LR or L

Two Shelves

PWA2430 RR or L

PWA2430 LR or L

Three Shelves

PWA2436 RR or L

PWA2436 LR or L

PWA2439 LR or L

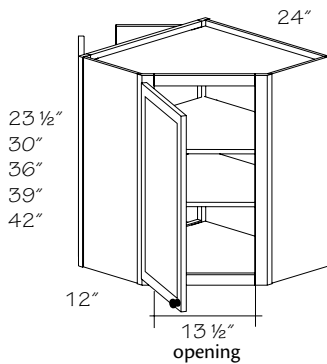
PWA2439 RR or L

PWA2442 RR or L

PWA2442 LR or L

- Left/Left shown
- Adjustable shelves
- Butt doors on peninsula side
- Frame backs are **not** finished
- See example for hinging and rear door position

● PE
● APC
● APFC
● FPEB
● GD
● ID
● MI
● RD
● XS



Peninsula Wall Angle Lazy Susan

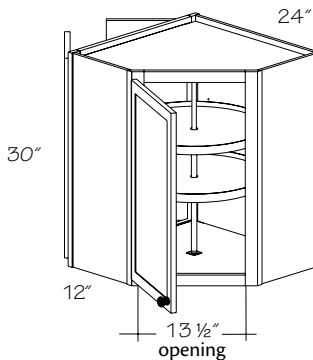
(price book pg. D42)

Specify R or L Kitchen Side Hinging
Specify R or L Rear Door Placement
Two Shelves

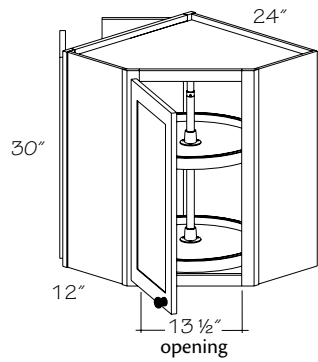
PWA2430 RR or L-LS

PWA2430 LR or L-LS

- 19 1/2" diameter rotating shelves
- Left/Left shown
- Butt doors on peninsula side
- Frame backs are **not** finished
- See example for hinging and rear door position



● PE
● APC
● APFC
● FPEB
● GD
● ID
● MI
● RD
● XS



Peninsula Wall Angle Wood Lazy Susan

(price book pg. D44)

Specify R or L Kitchen Side Hinging

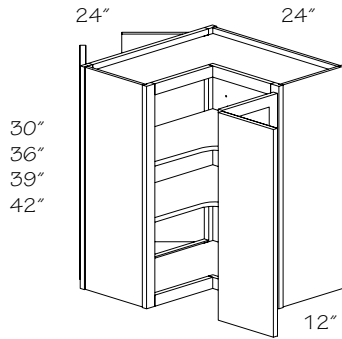
Specify R or L Rear Frame Position

Two Shelves

PWA2430 LR or L-WLS

PWA2430 RR or L-WLS

- 19 1/2" diameter rotating shelves
- Left/Left shown
- Butt doors on peninsula side
- Frame backs are **not** finished
- Rotating shelves have plywood floor and solid wood trim
- Shelves rotate independently
- See example for hinging and rear door position



Peninsula Wall Easy Reach

(price book pg. D44)

Specify R or L Kitchen Side Hinging

Specify R or L Rear Frame Placement

Two Shelves

PWEZR2430 RR or L

PWEZR2430 LR or L

Three Shelves

PWEZR2436 RR or L

PWEZR2436 LR or L

PWEZR2439 LR or L

PWEZR2439 RR or L

PWEZR2442 RR or L

PWEZR2442 LR or L

Color coding indicates new product, size or code

- Hinged door opens to 170°
- Adjustable shelves
- Right/Left shown
- Frame backs are **not** finished
- See example for hinging and rear door position
- ☆ **Not** available with Aluminum Frame glass doors on kitchen side

