

# Wall Open Cabinets

## Construction Options and Modifications

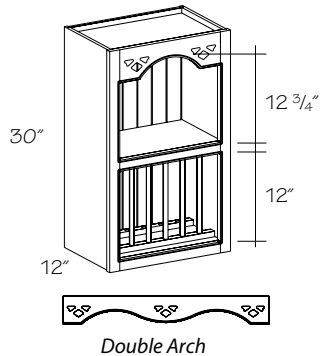
- --- Available with an upcharge
- ◆ --- Included as standard
- (Blank) - Not available

<b>WCDA</b>	<b>18</b>	<b>36</b>
code	width	height

Material dimensions may be nominal based on lumber industry standards.

Specifications subject to change without notice.

- PE --- Plywood Ends
- APC --- All Plywood Construction
- APFC --- All Plywood Furniture Construction
- DE --- Integrated Decorative End
- FPEB --- Furniture Plywood Ends
- GD --- Glass Doors
- ID --- Increased Depth
- MI --- Matching Interior
- RD --- Reduced Depth
- TWR --- Top Wide Rail
- XS --- Extended Stile
- XSG --- Integrated Extended Stile

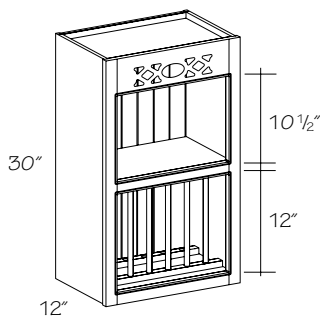
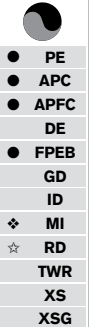


### Wall China Display Arch 30" H

(price book pg. D54)

- WCDA1830** 5 plates
- WCDA2430** 7 plates
- WCDA3030** 10 plates
- ◆ **WCDA3630** 12 plates
- ◆ **WCDA4230** 14 plates
- ◆ **WCDA4830** 17 plates
- ◆ Double arch

- Spindle height 12 3/16"
- Spindles are shipped separately
- Wood veneer Beaded Back
- Add -NF for no charge no fret option
- **Not** available in Morristown; Melrose and Brockton are plain sawn wood
- ☆ Minimum Reduced Depth (RD) is 9"

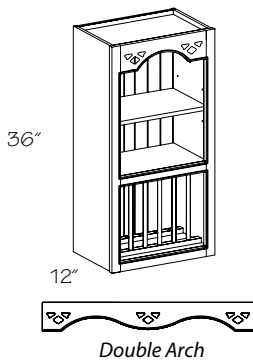
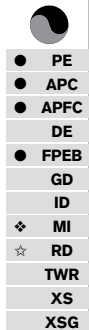


### Wall China Display Frieze 30" H

(price book pg. D54)

- WCDF1830** 5 plates
- WCDF2430** 7 plates
- WCDF3030** 10 plates
- WCDF3630** 12 plates
- WCDF4230** 14 plates
- WCDF4830** 17 plates

- Spindle height 12 3/16"
- Spindles are shipped separately
- Wood veneer Beaded Back
- Add -NF for no charge no fret option
- **Not** available in Morristown; Melrose and Brockton are plain sawn wood
- ☆ Minimum Reduced Depth (RD) is 9"

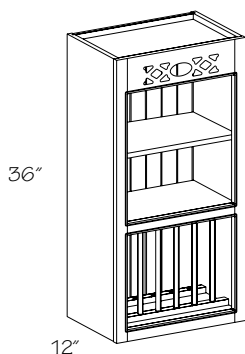
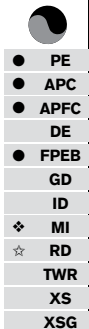


### Wall China Display Arch 36" H

(price book pg. D54)

- WCDA1836** 5 plates
- WCDA2436** 7 plates
- WCDA3036** 10 plates
- ◆ **WCDA3636** 12 plates
- ◆ **WCDA4236** 14 plates
- ◆ **WCDA4836** 17 plates
- ◆ Double arch

- Spindle height 12 3/16"
- One adjustable shelf
- Spindles are shipped separately
- Wood veneer Beaded Back
- Add -NF for no charge no fret option
- **Not** available in Morristown; Melrose and Brockton are plain sawn wood
- ☆ Minimum Reduced Depth (RD) is 9"



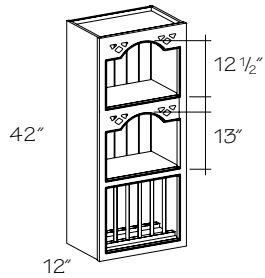
### Wall China Display Frieze 36" H

(price book pg. D56)

- WCDF1836** 5 plates
- WCDF2436** 7 plates
- WCDF3036** 10 plates
- WCDF3636** 12 plates
- WCDF4236** 14 plates
- WCDF4836** 17 plates

- Spindle height 12 3/16"
- One adjustable shelf
- Spindles are shipped separately
- Wood veneer Beaded Back
- Add -NF for no charge no fret option
- **Not** available in Morristown; Melrose and Brockton are plain sawn wood
- ☆ Minimum Reduced Depth (RD) is 9"





Double Arch

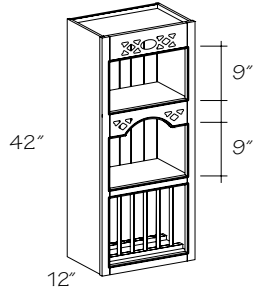
### Wall China Display Arch 42" H

(price book pg. D56)

- **WCDA1842** 5 plates
- **WCDA2442** 7 plates
- **WCDA3042** 10 plates
- ◆ **WCDA3642** 12 plates
- ◆ **WCDA4242** 14 plates
- ◆ **WCDA4842** 17 plates
- ◆ Double arch

- Spindle height 12 3/16"
- Spindles are shipped separately
- Wood veneer Beaded Back
- Add -NF for no charge no fret option
- **Not** available in Morristown; Melrose and Brockton are plain sawn wood
- ☆ Minimum Reduced Depth (RD) is 9"

●	PE
●	APC
●	APFC
	DE
●	FPEB
	GD
	ID
◆	MI
☆	RD
	TWR
	XS
	XSG



Double Arch

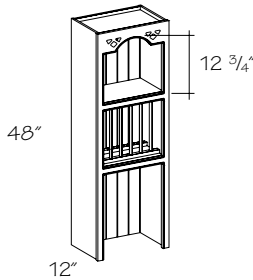
### Wall China Display Frieze 42" H

(price book pg. D56)

- **WCDF1842** 5 plates
- **WCDF2442** 7 plates
- **WCDF3042** 10 plates
- ◆ **WCDF3642** 12 plates
- ◆ **WCDF4242** 14 plates
- ◆ **WCDF4842** 17 plates
- ◆ Double arch

- Spindle height 12 3/16"
- Spindles are shipped separately
- Wood veneer Beaded Back
- Add -NF for no charge no fret option
- **Not** available in Morristown; Melrose and Brockton are plain sawn wood
- ☆ Minimum Reduced Depth (RD) is 9"

●	PE
●	APC
●	APFC
	DE
●	FPEB
	GD
	ID
◆	MI
☆	RD
	TWR
	XS
	XSG



Double Arch

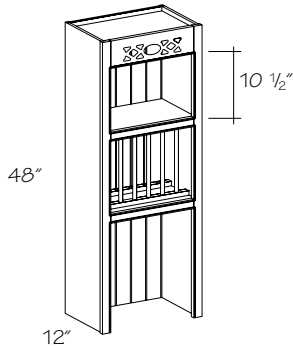
### Wall China Display Arch 48" H

(price book pg. D56)

- **WCDA1848** 5 plates
- **WCDA2448** 7 plates
- **WCDA3048** 10 plates
- ◆ **WCDA3648** 12 plates
- ◆ **WCDA4248** 14 plates
- ◆ **WCDA4848** 17 plates
- ◆ Double arch
- ※ Laminates are painted hardwood

- Spindle height 12 3/16"
- Spindles are shipped separately
- Wood veneer Beaded Back
- Add -NF for no charge no fret option
- **Not** available in Morristown; Melrose and Brockton are plain sawn wood
- ☆ Minimum Reduced Depth (RD) is 9"

●	PE
●	APC
●	APFC
	DE
●	FPEB
	GD
	ID
◆	MI
☆	RD
	TWR
	XS
	XSG



### Wall China Display Frieze 48" H

(price book pg. D56)

- **WCDF1848** 5 plates
- **WCDF2448** 7 plates
- **WCDF3048** 10 plates
- ◆ **WCDF3648** 12 plates
- ◆ **WCDF4248** 14 plates
- ※ **WCDF4848** 17 plates
- ※ Laminates are painted hardwood

- Spindle height 12 3/16"
- Spindles are shipped separately
- Wood veneer Beaded Back
- Add -NF for no charge no fret option
- **Not** available in Morristown; Melrose and Brockton are plain sawn wood
- ☆ Minimum Reduced Depth (RD) is 9"

●	PE
●	APC
●	APFC
	DE
●	FPEB
	GD
	ID
◆	MI
☆	RD
	TWR
	XS
	XSG

## Wall Open Cabinet

(price book pg. D58, D60)

One Shelf

**WOC2424**  
**WOC3024**

Two Shelves

**WOC1230**  
**WOC1530**  
**WOC1830**  
**WOC2130**  
**WOC2430**  
**WOC2730**  
**WOC3030**  
**WOC3330**  
**WOC3630**

Three Shelves

**WOC1236**  
**WOC1536**  
**WOC1836**  
**WOC2136**  
**WOC2436**  
**WOC2736**  
**WOC3036**  
**WOC3336**  
**WOC3636**

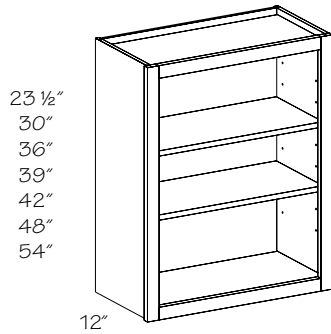
Three Shelves,  
shipped  
separately

**WOC1248**  
**WOC1548**  
**WOC1848**  
**WOC2148**  
**WOC2448**  
**WOC2748**  
**WOC3048**  
**WOC3348**  
**WOC3648**

Four shelves,  
shipped  
separately

**WOC1254**  
**WOC1554**  
**WOC1854**  
**WOC2154**  
**WOC2454**  
**WOC2754**  
**WOC3054**  
**WOC3354**  
**WOC3654**

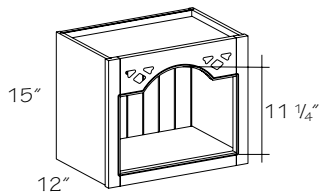
- No door
- The following valance options are available:
  - VA (4 1/2" Arched Fret Valance)
  - VAR (4 1/2" Arched Valance No Fret)
  - VAR-M (3 1/2" Arched Valance Mission)
  - VCB (5 1/2" Corbel Valance)
  - VCV (5 1/2" Cove Valance)
  - VCR (5 1/2" Crown Valance)
  - VF (3 1/2" Furniture Valance)
  - VSH (5 1/2" Shaker Arched Valance)
  - VTWR (6" Straight Rail Valance)
  - VVIC (5 1/2" Victorian Valance)
- Example: WOC2430-VAR; see Construction Option section of this book for illustrations
- VAR-M available in quartersawn oak door styles only
- VAR-M only valance available in Morristown
- Valance options are plain sawn wood in quartersawn door styles; except VAR-M, which is quartersawn oak
- Valance options available in cabinets 15" and wider
- VA **not** available in 15" wide cabinets
- ☆ WTWR available on 12"-36" high cabinets only



●	PE
●	APC
●	APFC
●	DE
●	FPEB
	GD
●	ID
◇	MI
●	RD
☆	TWR
●	XS
●	XSG

## Wall Open Cabinet Arch 15" H

(price book pg. D60)



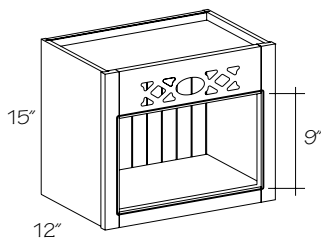
**WOCA1815**  
**WOCA2415**  
**WOCA3015**  
◆ **WOCA3615**  
◆ **WOCA4215**  
◆ **WOCA4815**  
◆ Double arch

- No shelf
- Wood veneer Beaded Back
- Add -NF for no charge no fret option
- **Not** available in Morristown; Melrose and Brockton are plain sawn wood

●	PE
●	APC
●	APFC
●	DE
●	FPEB
	GD
	ID
◇	MI
●	RD
	TWR
	XS
	XSG

## Wall Open Cabinet Frieze 15" H

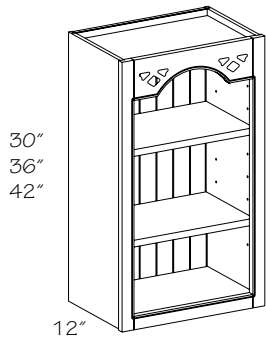
(price book pg. D60)



**WOCF1815**  
**WOCF2415**  
**WOCF3015**  
**WOCF3615**  
**WOCF4215**  
**WOCF4815**

- No shelf
- Wood veneer Beaded Back
- Add -NF for no charge no fret option
- **Not** available in Morristown; Melrose and Brockton are plain sawn wood

●	PE
●	APC
●	APFC
●	DE
●	FPEB
	GD
	ID
◇	MI
●	RD
	TWR
	XS
	XSG



### Wall Open Cabinet Arch 30", 36", 42" H

(price book pg. D60)

Two Shelves

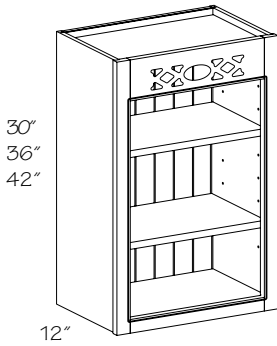
**WOCA1830**  
**WOCA2130**  
**WOCA2430**

Three Shelves

**WOCA1836**  
**WOCA2136**  
**WOCA2436**  
**WOCA1842**  
**WOCA2142**  
**WOCA2442**

- Adjustable shelves
- Wood veneer Beaded Back
- Add -NF for no charge no fret option
- **Not** available in Morristown; Melrose and Brockton are plain sawn wood

● PE
● APC
● APFC
● DE
● FPEB
GD
ID
❖ MI
● RD
TWR
XS
XSG



### Wall Open Cabinet Frieze 30", 36", 42" H

(price book pg. D62)

Two Shelves

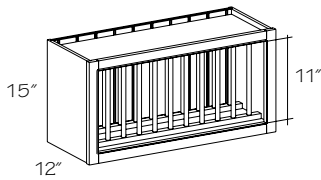
**WOCF1830**  
**WOCF2130**  
**WOCF2430**

Three Shelves

**WOCF1836**  
**WOCF2136**  
**WOCF2436**  
**WOCF1842**  
**WOCF2142**  
**WOCF2442**

- Adjustable shelves
- Wood veneer Beaded Back
- Add -NF for no charge no fret option
- **Not** available in Morristown; Melrose and Brockton are plain sawn wood

● PE
● APC
● APFC
● DE
● FPEB
GD
ID
❖ MI
● RD
TWR
XS
XSG



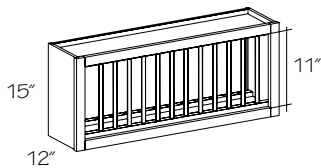
### Wall China Display 12" Deep 15" H

(price book pg. D62)

**WCD1815** 5 plates  
**WCD2415** 7 plates  
**WCD3015** 10 plates  
**WCD3615** 12 plates  
**WCD4215** 14 plates  
**WCD4815** 17 plates

- 10 7/8" clearance for plates
- Spindle height 11 1/2"
- Spindles are shipped separately
- Wood veneer Beaded Back
- **Not** available in Morristown; Melrose and Brockton are plain sawn wood
- ☆ Minimum Reduced Depth (RD) is 9"

● PE
● APC
● APFC
● DE
● FPEB
GD
ID
❖ MI
☆ RD
TWR
XS
XSG



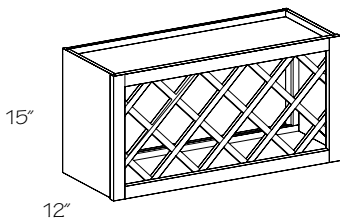
### Wall China Display Mission 12" Deep 15" H

(price book pg. D62)

**WCD1815 -M** 5 plates  
**WCD2415 -M** 7 plates  
**WCD3015 -M** 10 plates  
**WCD3615 -M** 12 plates  
**WCD4215 -M** 14 plates  
**WCD4815 -M** 17 plates

- 10 7/8" clearance for plates
- Spindle height 11 1/2"
- Spindles are shipped separately
- Standard oak flat back panel
- Available in quartersawn oak door styles only
- ☆ Minimum Reduced Depth (RD) is 9"

● PE
● APC
● APFC
● DE
● FPEB
GD
ID
❖ MI
☆ RD
TWR
XS
XSG



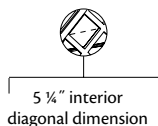
### Lattice Wall-Horizontal

(price book pg. D62)

Bottle capacity

**LW2415** 7  
**LW3015** 11  
**LW3315** 11  
**LW3615** 13

- 3 3/4" diameter bottle
- Lattice finished one side only
- Lattice is **not** removable



● PE
● APC
● APFC
DE
● FPEB
GD
ID
❖ MI
RD
TWR
● XS
XSG



- PE
- APC
- APFC
- DE
- FPEB
- GD
- ID
- ❖ MI
- RD
- TWR
- XS
- XSG

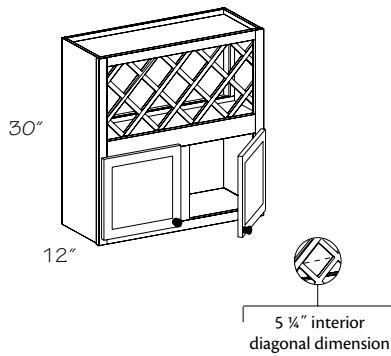
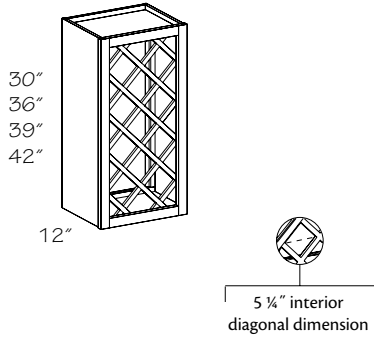
### Lattice Wall-Vertical

(price book pg. D64)

Bottle capacity

<b>LW1530</b>	11
<b>LW1830</b>	11
<b>LW2430</b>	17
<b>LW1536</b>	13
<b>LW1836</b>	13
<b>LW2436</b>	23
<b>LW1539</b>	17
<b>LW1839</b>	17
<b>LW2439</b>	27
<b>LW1542</b>	17
<b>LW1842</b>	17
<b>LW2442</b>	27

- 3 3/4" diameter bottle
- Lattice finished one side only
- Lattice is **not** removable



### Lattice Wall Cabinet 30" H

(price book pg. D64)

Bottle capacity

<b>LW3030</b>	11
<b>LW3630</b>	13

- 3 3/4" diameter bottle
- Lattice finished one side only
- Lattice is **not** removable
- No shelf



- PE
- APC
- APFC
- DE
- FPEB
- GD
- ID
- ❖ MI
- RD
- TWR
- XS
- XSG

### Wine Storage Cabinet

(price book pg. D64)

<b>WSC1818</b>
<b>WSC2424</b>

- Requires additional support. Installation between two cabinets or cabinet and wall recommended.

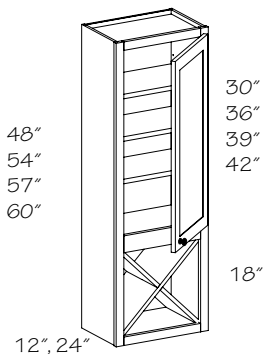
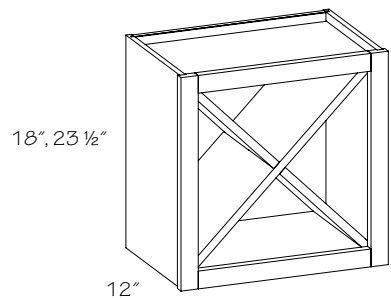


When ordering an unfinished cabinet that has standard Matching Interior (MIV), you must use MIP, MIFP or FPEB to get a wood veneer matching interior. If the cabinet is Wood Veneer standard, ordered as All Plywood (APC) or with Furniture Plywood Ends (FPEB, APFC), wood veneer matching interior will be standard.



- PE
- ❖ APC
- APFC
- DE
- FPEB
- GD
- ID
- ❖ MI
- RD
- TWR
- XS
- XSG

Wall Cabinets



### Wall Wine Hutch

(price book pg. D64)

- WWH181248 R or L**
- WWH181254 R or L**
- WWH181257 R or L**
- WWH181260 R or L**
- ☆ **WWH182448 R or L**
- ☆ **WWH182454 R or L**
- ☆ **WWH182457 R or L**
- ☆ **WWH182460 R or L**
- ☆ Minimum Reduced Depth (RD) is 12"

- Designed to set on countertop
- Wine storage section will always be 12" deep



- PE
- ❖ APC
- APFC
- DE
- FPEB
- GD
- ID
- ❖ MI
- ☆ RD
- TWR
- XS
- XSG