

Wall Microwave Cabinets

Construction Options and Modifications

- - - - Available with an upcharge
- ✦ - - - Included as standard
- (Blank) - Not available

- PE - - - Plywood Ends
- APC - - All Plywood Construction
- APFC - - All Plywood Furniture Construction
- FPEB - - Furniture Plywood Ends
- GD - - - Glass Doors
- ID - - - Increased Depth
- MI - - - Matching Interior
- RD - - - Reduced Depth
- XS - - - Extended Stile

Installation Notes: Installation of a wall cabinet 30" or wider, by itself, is not recommended by KraftMaid and requires additional support, such as attachment to a soffit, or support from below.

Any wall cabinet over 24" wide or 30" high with a depth greater than 12" or butt doors must be installed between two cabinets, a cabinet and a wall, or supported from below.

WMC	30	18	18
code	width	depth	height

Material dimensions may be nominal based on lumber industry standards.

Specifications subject to change without notice.

Wall Microwave Cabinet 36" H

(price book pg. D64)

Opening trimmable to: Width: 16" to 25"
Height: 13" to 20"

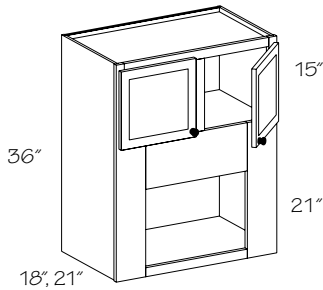
WMC271836 (Butt)

WMC272136 (Butt)

Opening trimmable to: Width: 19" to 28"
Height: 13" to 20"

WMC301836

WMC302136



- Designed for "built-in" style microwaves
- **Note:** Must be installed between two cabinets or cabinet and wall with supplied connectors



Installation of a wall cabinet 30" or wider, by itself, is **not** recommended by KraftMaid and requires additional support, such as attachment to a soffit or support from below

- PE
- APC
- APFC
- FPEB
- GD
- ID
- MI
- RD
- XS

Wall Microwave Cabinet 45" H

(price book pg. D66)

Opening trimmable to: Width: 16" to 25"
Height: 13" to 20"

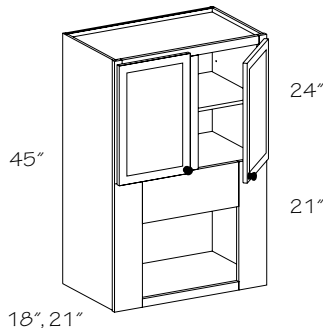
WMC271845 (Butt)

WMC272145 (Butt)

Opening trimmable to: Width: 19" to 28"
Height: 13" to 20"

WMC301845

WMC302145



- Designed for "built-in" style microwaves
- **Note:** Must be installed between two cabinets or cabinet and wall with supplied connectors

- PE
- APC
- APFC
- FPEB
- GD
- ID
- MI
- RD
- XS

Wall Microwave Shelf Cabinet

(price book pg. D66)

Inside Dimensions:

WMSC271236 (Butt)

24" x 18 3/4"

WMSC301236

27" x 18 3/4"

WMSC271836 (Butt)

24" x 18 3/4"

WMSC271842 (Butt)

24" x 16 1/4"

WMSC271245 (Butt)

24" x 15 3/4"

WMSC301245

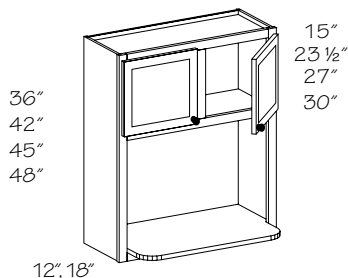
27" x 15 3/4"

WMSC271845 (Butt)

24" x 15 3/4"

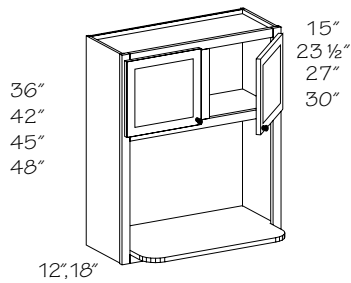
WMSC271848 (Butt)

24" x 15 3/4"



- 36" high has no shelves, 42" and 45" high have one shelf and 48" high has two shelves in top section
- 3/4" matching shelf, 18" deep on 12" cabinets, 24" deep on 18" cabinets
- Designed for "counter" style microwaves
- **Note:** Must be installed between two cabinets or cabinet and wall with supplied connectors

- PE
- APC
- APFC
- FPEB
- GD
- ID
- ✦ MI
- RD
- XS



Wall Microwave w/Solid Wood Shelf

(price book pg. D66)

SWMSC271236 (Butt)

SWMSC301236

SWMSC271836 (Butt)

SWMSC271842 (Butt)

SWMSC271245 (Butt)

SWMSC301245

SWMSC271845 (Butt)

SWMSC271848 (Butt)

Inside Dimensions:

24" x 18 3/4"

27" x 18 3/4"

24" x 18 3/4"

24" x 16 1/4"

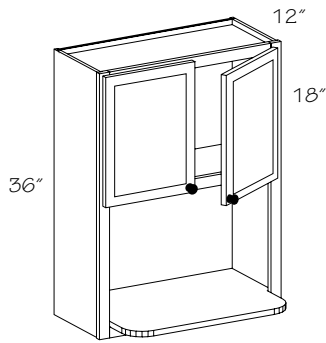
24" x 15 3/4"

27" x 15 3/4"

24" x 15 3/4"

24" x 15 3/4"

- 36" high has no shelves, 42" and 45" high have one shelf and 48" high has two shelves in top section
- 3/4" matching shelf, 18" deep on 12" cabinets, 24" deep on 18" cabinets
- Solid wood construction on matching lower shelf only
- Designed for "counter" style microwaves
- **Note:** Must be installed between two cabinets or cabinet and wall with supplied connectors
- Laminates are painted hardwood



Wall Compact Microwave Shelf

(price book pg. D66)

WCMSC241236

WCMSC271236 (Butt)

- 18" deep, 3/4" matching shelf

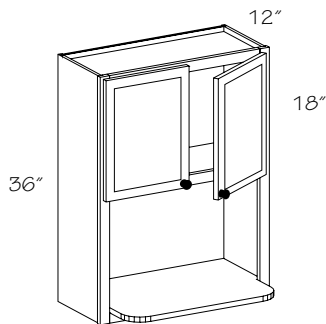
- Designed for "counter" style microwaves

- **Note:** Must be installed between two cabinets or cabinet and wall with supplied connectors

Inside Dimensions:

21" x 15 3/4"

24" x 15 3/4"



Wall Compact Microwave w/Solid Wood Shelf

(price book pg. D66)

SWCMSC241236

SWCMSC271236 (Butt)

- 18" deep, 3/4" matching shelf

- Solid wood construction on matching lower shelf only

- Designed for "counter" style microwaves

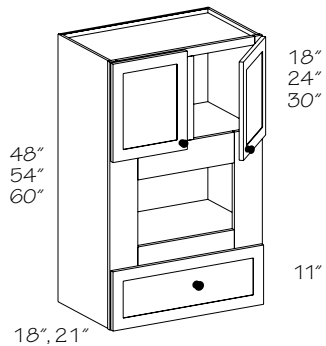
- **Note:** Must be installed between two cabinets or cabinet and wall with supplied connectors

- Laminates are painted hardwood

Inside Dimensions:

21" x 15 3/4"

24" x 15 3/4"



Wall Microwave Cabinet w/Drawer

(price book pg. D68)

No shelves in upper section

WMCD271848 (Butt)

WMCD272148 (Butt)

WMCD301848

WMCD302148

Two shelves in upper section

WMCD271860 (Butt)

WMCD272160 (Butt)

WMCD301860

WMCD302160

One shelf in upper section

WMCD271854 (Butt)

WMCD272154 (Butt)

WMCD301854

WMCD302154

- One deep drawer
- Designed for "built-in" style microwaves
- **Note:** intended as a wall mounted cabinet; unit must be supported by another cabinet or countertop

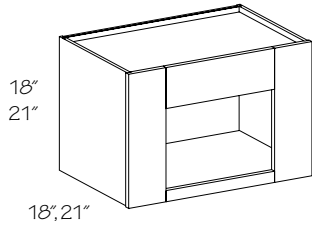


Cut out dimensions

Cabinet	Min. Width	Max. Width	Min. Height	Max. Height
WMCD27_48	16"	25"	12"	15 1/2"
WMCD27_54	16"	25"	12 1/2"	16"
WMCD27_60	16"	25"	12"	15 1/2"
WMCD30_48	19"	28"	12"	15 1/2"
WMCD30_54	19"	28"	12 1/2"	16"
WMCD30_60	19"	28"	12"	15 1/2"

Wall Microwave Box

(price book pg. D68)



Opening trimmable to:
Width: 16" to 25" Height:
11" to 15 1/2"

WMB271818
WMB272118

Opening trimmable to:
Width: 19" to 28" Height:
11" to 15 1/2"

WMB301818
WMB302118

Opening trimmable to:
Width: 16" to 25" Height:
14" to 18 1/2"

WMB271821
WMB272121

Opening trimmable to:
Width: 19" to 28" Height:
14" to 18 1/2"

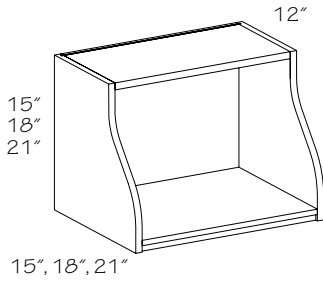
WMB301821
WMB302121

- Designed for "built-in" style microwaves
- **Note:** Must be installed between two cabinets or cabinet and wall with supplied connectors
- Contrasting Back Options (CBEB, CPLB, CVGR) **not** available
- Back Options (BEB and VGRB) **not** available

●	PE
●	APC
●	APFC
●	FPEB
	GD
	ID
	MI
●	RD
	XS

Wall Microwave Shelf

(price book pg. D68)



Inside Dimensions:

WMS211515	19 3/8" x 12 11/16"
WMS241515	22 3/8" x 12 11/16"
WMS211815	19 3/8" x 12 11/16"
WMS241815	22 3/8" x 12 11/16"
WMS241818	22 3/8" x 15 11/16"
WMS271818	25 3/8" x 15 11/16"
WMS301818	28 3/8" x 15 11/16"
WMS242118	22 3/8" x 15 11/16"
WMS272118	25 3/8" x 15 11/16"
WMS302118	28 3/8" x 15 11/16"
WMS241821	22 3/8" x 18 11/16"
WMS271821	25 3/8" x 18 11/16"
WMS301821	28 3/8" x 18 11/16"
WMS242121	22 3/8" x 18 11/16"
WMS272121	25 3/8" x 18 11/16"
WMS302121	28 3/8" x 18 11/16"

- 3/4" wood veneer construction
- Designed for "counter" style microwaves
- **Note:** Must be installed between two cabinets or cabinet and wall with supplied connectors
- Contrasting back material is maple or cherry only, depending on finish. Option is available in all door styles.
- **Not** available in Morristown; Melrose and Brockton are plain sawn wood

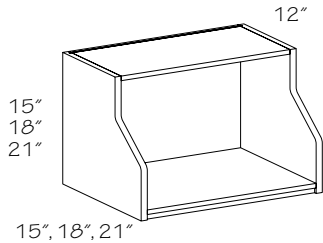


Do **not** design a wall hood or microwave shelf adjacent to a corner cabinet. The door of the corner cabinet will **not** function.

●	PE
●	APC
	APFC
	FPEB
	GD
	ID
◆	MI
	RD
	XS

Wall Microwave Shelf Mission

(price book pg. D70)



Inside Dimensions

WMS211515 •M	19 3/8" x 12 11/16"
WMS241515 •M	22 3/8" x 12 11/16"
WMS211815 •M	19 3/8" x 12 11/16"
WMS241815 •M	22 3/8" x 12 11/16"
WMS241818 •M	22 3/8" x 15 11/16"
WMS271818 •M	25 3/8" x 15 11/16"
WMS301818 •M	28 3/8" x 15 11/16"
WMS242118 •M	22 3/8" x 15 11/16"
WMS272118 •M	25 3/8" x 15 11/16"
WMS302118 •M	28 3/8" x 15 11/16"
WMS241821 •M	22 3/8" x 18 11/16"
WMS271821 •M	25 3/8" x 18 11/16"
WMS301821 •M	28 3/8" x 18 11/16"
WMS242121 •M	22 3/8" x 18 11/16"
WMS272121 •M	25 3/8" x 18 11/16"
WMS302121 •M	28 3/8" x 18 11/16"

- Quartersawn wood veneer construction
- Designed for "counter" style microwaves
- **Note:** Must be installed between two cabinets or cabinet and wall with supplied connectors
- Available in quartersawn oak door styles only
- Contrasting back material is maple or cherry only, depending on finish. Option is available in all door styles.

●	PE
●	APC
	APFC
	FPEB
	GD
	ID
◆	MI
	RD
	XS