

# Wall Hoods

## Construction Options and Modifications

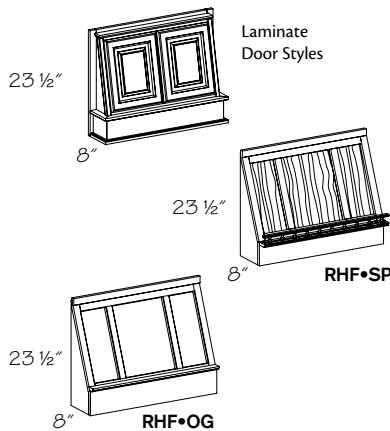
- --- Available with an upcharge
- ◆ --- Included as standard
- (Blank) - Not available

- PE --- Plywood Ends
- APC --- All Plywood Construction
- APFC --- All Plywood Furniture Construction
- DE --- Integrated Decorative End
- FPEB --- Furniture Plywood Ends
- GD --- Glass Doors
- ID --- Increased Depth
- MI --- Matching Interior
- RD --- Reduced Depth
- XS --- Extended Stile
- XSG --- Integrated Extended Stile

<b>WHCC</b>	<b>36</b>	<b>24</b>	<b>30</b>
code	width	depth	height

Consult your local building code for rules and regulations that may apply to the installation of this product.

Specifications subject to change without notice.



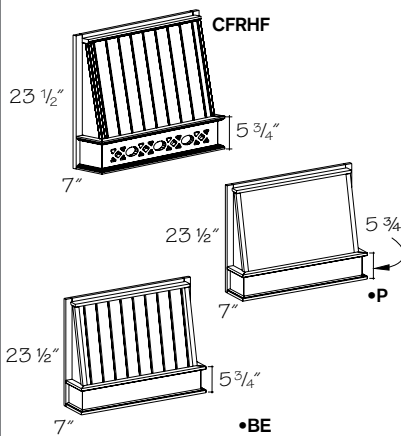
### Wall Hood Front

(price book pg. D70)

- ◆ **RHF3024**
- ◆ **RHF3624**
- ※ **RHF3024 -OG**
- ※ **RHF3624 -OG**
- ※ **RHF3024 -SP**
- ※ **RHF3624 -SP**
- ◆ Available in laminate door styles only
- ※ Laminates are painted hardwood

- Solid wood/wood veneer construction
- Requires component package "A" or "D"
- Laminate door styles require component package "B" or "E"
- Recessed panels—no doors
- Decorative spindle railing (SP) or ogee molding (OG)
- Metal liner required
- **Note:** Wall hood must be installed between two cabinets
- **Note:** Available in Morristown; Melrose and Brockton are plain sawn wood

PE
● APC
APFC
DE
FPEB
GD
ID
MI
RD
XS
XSG



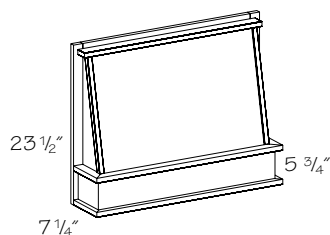
### Wall Hood Classic

(price book pg. D70)

- ◆ **CFRHF3024**
- ◆ **CFRHF3624**
- ◆ **CRHF3024 -BE**
- ◆ **CRHF3624 -BE**
- ◆ **CRHF3024 -P**
- ◆ **CRHF3624 -P**

- Solid wood/wood veneer construction
- Requires component package "B" or "E"
- Metal liner required
- **Note:** Available in Morristown; Melrose and Brockton are plain sawn wood
- **Note:** Wall hood must be installed between two cabinets

PE
● APC
APFC
DE
FPEB
GD
ID
MI
RD
XS
XSG

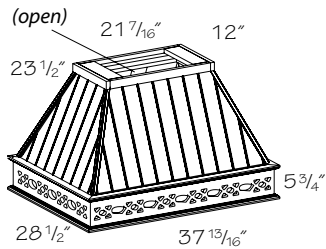


### Wall Hood Classic Mission

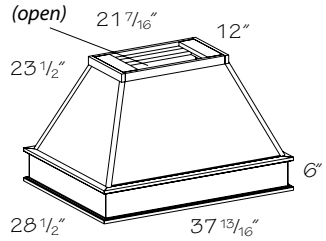
(price book pg. D72)

- ◆ **CRHF3024 -M**
- ◆ **CRHF3624 -M**
- Solid wood/wood veneer construction
- Front panels are quartersawn
- Requires component package "B" or "E"
- Metal liner required
- **Note:** Wall hood must be installed between two cabinets
- Available in quartersawn oak door styles only

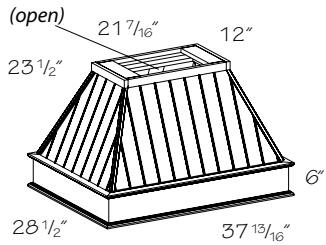
PE
● APC
APFC
DE
FPEB
GD
ID
MI
RD
XS
XSG



PCFRH



PCRH-P



PCRH-BE

### Peninsula Wall Hood Classic

(price book pg. D72)

**PCFRH3624**

**PCRH3624 -BE**

**PCRH3624 -P**

- Solid wood/wood veneer construction
- Requires component package "C" or "F"
- **Not** available in Morristown; Melrose and Brockton are plain sawn wood
- **Note:** Wall hood must be securely anchored to ceiling or soffit

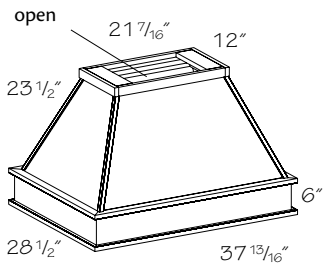
PE
● APC
APFC
DE
FPEB
GD
ID
MI
RD
XS
XSG

### Peninsula Wall Hood Classic Mission

(price book pg. D72)

**PCRH3624 -M**

- Solid wood/wood veneer construction
- Angled panels and flat trim are quartersawn
- Requires component package "C" or "F"
- **Note:** Wall hood must be securely anchored to ceiling or soffit
- Available in quartersawn oak door styles only



PE
● APC
APFC
DE
FPEB
GD
ID
MI
RD
XS
XSG

### Wall Hood Matching

(price book pg. D72)

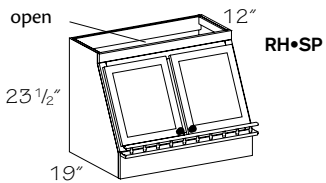
**RH3024 -OG**

**RH3624 -OG**

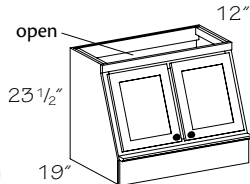
\* **RH3024 -SP**

\* **RH3624 -SP**

\* **Not** available in full overlay door styles



RH-SP



RH-OG

- Solid wood/wood veneer construction
- Metal liner required
- Requires component package "A" or "D"
- Decorative spindle railing (SP) or ogee molding (OG)
- Doors open to facilitate duct installation and wiring
- **Note:** Wall hood must be installed between two cabinets
- **Not** available in Morristown; Melrose and Brockton are plain sawn wood

PE
● APC
APFC
DE
FPEB
GD
ID
MI
RD
XS
XSG

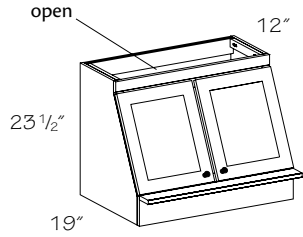
### Wall Hood Matching Mission

(price book pg. D72)

**RH3024 •M**

**RH3624 •M**

- Solid wood/wood veneer construction
- Front and end panels are quartersawn
- Requires component package "A" or "D"
- Metal liner required
- Doors open to facilitate duct installation and wiring
- Available in quartersawn oak door styles only
- **Note:** Wall hood must be installed between two cabinets



PE
● APC
APFC
DE
FPEB
GD
ID
MI
RD
XS
XSG

### Peninsula Wall Hood Matching

(price book pg. D74)

**PRH3024 •OG**

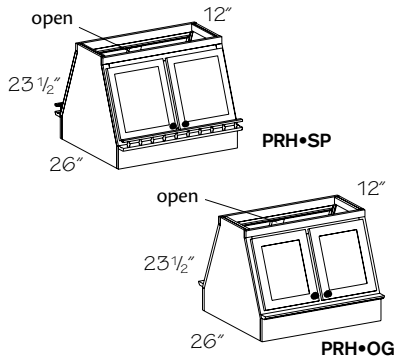
**PRH3624 •OG**

※ **PRH3024 •SP**

※ **PRH3624 •SP**

※ **Not** available in full overlay door styles

- Solid wood/wood veneer construction
- Requires component package "C" or "F"
- Decorative spindle railing (SP) or ogee molding (OG)
- Doors open to facilitate duct installation and wiring
- Metal liner required
- **Not** available in Morristown; Melrose and Brockton are plain sawn wood
- **Note:** Wall hood must be securely anchored to ceiling or soffit



PE
● APC
APFC
DE
FPEB
GD
ID
MI
RD
XS
XSG

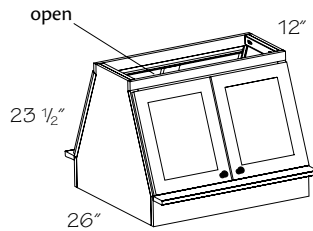
### Peninsula Wall Hood Matching Mission

(price book pg. D74)

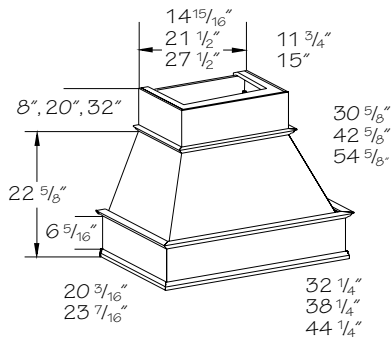
**PRH3024 •M**

**PRH3624 •M**

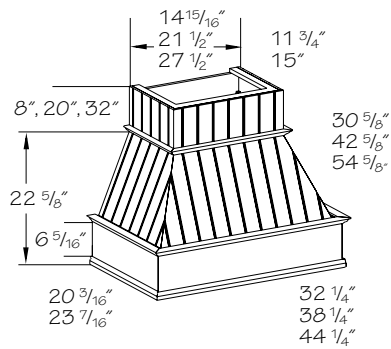
- Solid wood/wood veneer construction
- Front and end panels are quartersawn
- Requires component package "C" or "F"
- Metal liner required
- Doors open to facilitate duct installation and wiring
- **Note:** Wall hood must be securely anchored to ceiling or soffit
- Available in quartersawn oak door styles only



PE
● APC
APFC
DE
FPEB
GD
ID
MI
RD
XS
XSG



WHCC•P



WHCC•BE

Unless indicated, measurements include molding

### Wall Hood Classic Chimney

(price book pg. D74)

Plain

- WHCC301930 •P
- WHCC361930 •P
- WHCC362430 •P
- WHCC422430 •P
- WHCC301942 •P
- WHCC361942 •P
- WHCC362442 •P
- WHCC422442 •P
- WHCC301954 •P
- WHCC361954 •P
- WHCC362454 •P
- WHCC422454 •P

Beaded Panel

- WHCC301930 •BE
- WHCC361930 •BE
- WHCC362430 •BE
- WHCC422430 •BE
- WHCC301942 •BE
- WHCC361942 •BE
- WHCC362442 •BE
- WHCC422442 •BE
- WHCC301954 •BE
- WHCC361954 •BE
- WHCC362454 •BE
- WHCC422454 •BE



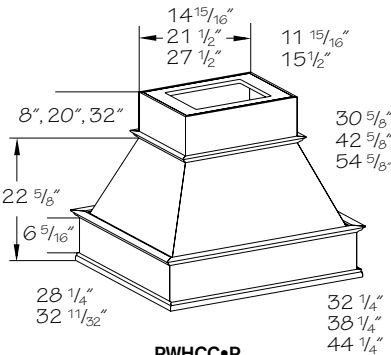
Select a Wall Hood, Chimney style when designing with open soffits.

A Chimney style hood is selected when you want an unfitted look; a design that looks great with your door style, but matching or including the door style is **not** required.

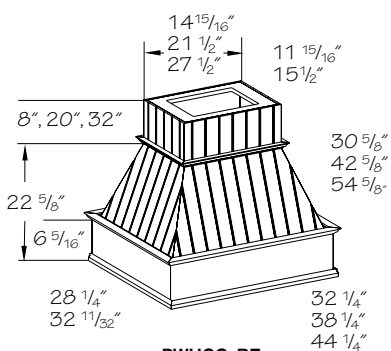
- Solid wood/wood veneer construction
- 19" deep requires component package "J"
- 24" deep requires component package "G" or "P"
- Check local building codes for required clearances between the Wall Hood and cooking surface
- A 3" space is recommended on the right and left side of this unit before beginning the adjacent cabinet runs
- 30 5/8" high hoods are designed for use with 8 foot ceilings
- 42 5/8" high hoods are designed for use with 9 foot ceilings
- 54 5/8" high hoods are designed for use with 10 foot ceilings
- Lower molding matches Beaded Panel Molding (BPM8) profile, other molding matches Soffit Crown Molding profile (SCM8)
- Chimney section shipped separately
- Cabinetry and appliances located below these Wall Hoods must be pulled to a minimum of 27" and a maximum of 30" for improved function
- Will accept optional onlays, ordered separately; see Molding Accents section of this book
- **Not** designed to be used with a soffit
- Laminates are painted hardwood
- **Note:** Wall hood must be securely anchored to wall
- **Not** available in Morristown; Melrose and Brockton are plain sawn wood

PE
❖ APC
APFC
DE
FPEB
GD
ID
MI
RD
XS
XSG

Opening Sizes				
Cabinet	Top Width	Top Depth	Bottom Width	Bottom Depth
WHCC30	8"	7 5/8"	28 1/2"	18 5/8"
WHCC36	14 1/8"	10 3/4"	34 1/2"	21 5/8"
WHCC42	20 1/2"	10 3/4"	40 1/2"	21 1/8"



PWHCC•P



PWHCC•BE

Unless indicated, measurements include molding

### Peninsula Wall Hood Classic Chimney

(price book pg. D76)

Plain

- PWHCC302830 •P
- PWHCC363330 •P
- PWHCC423330 •P
- PWHCC302842 •P
- PWHCC363342 •P
- PWHCC423342 •P
- PWHCC302854 •P
- PWHCC363354 •P
- PWHCC423354 •P

Beaded Panel

- PWHCC302830 •BE
- PWHCC363330 •BE
- PWHCC423330 •BE
- PWHCC302842 •BE
- PWHCC363342 •BE
- PWHCC423342 •BE
- PWHCC302854 •BE
- PWHCC363354 •BE
- PWHCC423354 •BE



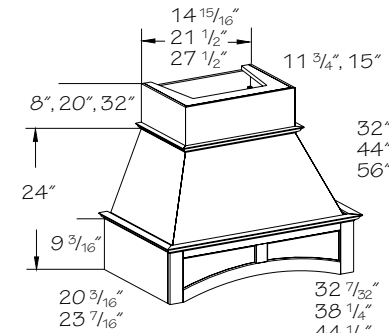
Apply your molding of choice at the ceiling along the top edge of the Wall Hood Chimney to present a finished look or to coordinate with adjacent cabinetry.

A beaded panel styled hood may be selected to coordinate with beaded or v-grooved paneling and doors, but is **not** required.

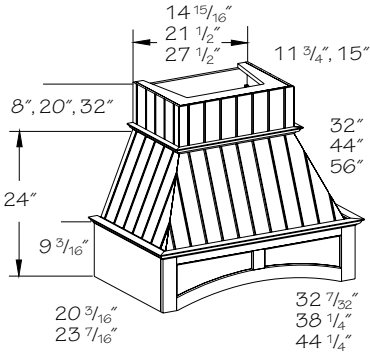
- Solid wood/wood veneer construction
- 30" wide requires component package "K"
- 36"-42" wide requires component package "H" or "O"
- Check local building codes for required clearances between the Wall Hood and cooking surface
- A 3" space is recommended on the right and left side of this unit before beginning the adjacent cabinet runs
- 30 5/8" high hoods are designed for use with 8 foot ceilings
- 42 5/8" high hoods are designed for use with 9 foot ceilings
- 54 5/8" high hoods are designed for use with 10 foot ceilings
- Lower molding matches Beaded Panel Molding (BPM8) profile, other molding matches Soffit Crown Molding profile (SCM8)
- Chimney section shipped separately
- Cabinetry and appliances located below these Wall Hoods must be pulled to a minimum of 27" and a maximum of 30" for improved function
- Will accept optional onlays, ordered separately; see Molding Accents section of this book
- **Not** designed to be used with a soffit
- Laminates are painted hardwood
- **Note:** Wall hood must be securely anchored to ceiling
- **Not** available in Morristown; Melrose and Brockton are plain sawn wood

PE
❖ APC
APFC
DE
FPEB
GD
ID
MI
RD
XS
XSG

Opening Sizes				
Cabinet	Top Width	Top Depth	Bottom Width	Bottom Depth
PWHCC30	7 1/8"	6 1/8"	28 1/2"	24 1/2"
PWHCC36	14 1/2"	10 1/2"	34 1/2"	28 1/32"
PWHCC42	20 1/2"	10 1/2"	40 1/2"	21 1/32"



WHCCFPV•P



WHCCFPV•BE

Unless indicated, measurements include molding

## Wall Hood Classic Chimney Flat Panel Valance

(price book pg. D78)

Plain

- WHCCFPV301932 •P
- WHCCFPV361932 •P
- WHCCFPV362432 •P
- WHCCFPV422432 •P
- WHCCFPV301944 •P
- WHCCFPV361944 •P
- WHCCFPV362444 •P
- WHCCFPV422444 •P
- WHCCFPV301956 •P
- WHCCFPV361956 •P
- WHCCFPV362456 •P
- WHCCFPV422456 •P

Beaded Panel

- WHCCFPV301932 •BE
- WHCCFPV361932 •BE
- WHCCFPV362432 •BE
- WHCCFPV422432 •BE
- WHCCFPV301944 •BE
- WHCCFPV361944 •BE
- WHCCFPV362444 •BE
- WHCCFPV422444 •BE
- WHCCFPV301956 •BE
- WHCCFPV361956 •BE
- WHCCFPV362456 •BE
- WHCCFPV422456 •BE

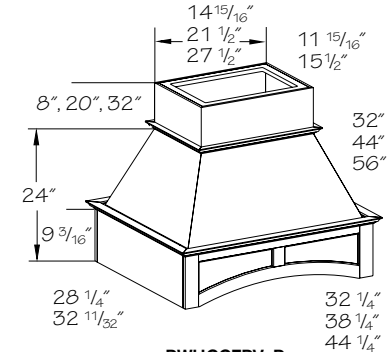
- Solid wood/wood veneer construction
- 19" deep requires component package "J"
- 24" deep requires component package "G" or "P"
- Check local building codes for required clearances between the Wall Hood and cooking surface
- A 3" space is recommended on the right and left side of this unit before beginning the adjacent cabinet runs
- 32" high hoods are designed for use with 8 foot ceilings
- 44" high hoods are designed for use with 9 foot ceilings
- 56" high hoods are designed for use with 10 foot ceilings
- Decorative molding matches Soffit Crown Molding profile (SCM8)
- Chimney section shipped separately
- Cabinetry and appliances located below these Wall Hoods must be pulled to a minimum of 27" and a maximum of 30" for improved function
- **Not** designed to be used with a soffit
- Laminates are painted hardwood
- **Note:** Wall hood must be securely anchored to wall
- **Not** available in Morristown; Melrose and Brockton are plain sawn wood

PE
APC
APFC
DE
FPEB
GD
ID
MI
RD
XS
XSG

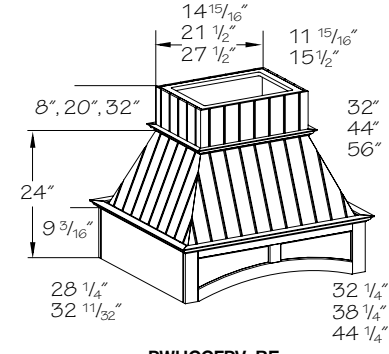


A Wall Hood Classic Chimney Flat Panel Valance coordinates best with flat panel door styles. It may **not** match the door exactly, but will blend into the design and enhance the appearance of the entire room.

Opening Sizes				
Cabinet	Top Width	Top Depth	Bottom Width	Bottom Depth
WHCCFPV30	8"	7 7/16"	28 5/8"	18 5/16"
WHCCFPV36	14 1/4"	10 3/4"	34 3/8"	21 1/16"
WHCCFPV42	20 1/2"	10 3/4"	40 3/8"	21 1/16"



PWHCCFPV•P



PWHCCFPV•BE

Unless indicated, measurements include molding

## Peninsula Wall Hood Classic Chimney Flat Panel Valance

(price book pg. D80)

Plain

- PWHCCFPV302832 •P
- PWHCCFPV363332 •P
- PWHCCFPV423332 •P
- PWHCCFPV302844 •P
- PWHCCFPV363344 •P
- PWHCCFPV423344 •P
- PWHCCFPV302856 •P
- PWHCCFPV363356 •P
- PWHCCFPV423356 •P

Beaded Panel

- PWHCCFPV302832 •BE
- PWHCCFPV363332 •BE
- PWHCCFPV423332 •BE
- PWHCCFPV302844 •BE
- PWHCCFPV363344 •BE
- PWHCCFPV423344 •BE
- PWHCCFPV302856 •BE
- PWHCCFPV363356 •BE
- PWHCCFPV423356 •BE

- Solid wood/wood veneer construction
- 30" wide requires component package "K"
- 36"-42" wide requires component package "H" or "O"
- Check local building codes for required clearances between the Wall Hood and cooking surface
- A 3" space is recommended on the right and left side of this unit before beginning the adjacent cabinet runs
- 32" high hoods are designed for use with 8 foot ceilings
- 44" high hoods are designed for use with 9 foot ceilings
- 56" high hoods are designed for use with 10 foot ceilings
- Decorative molding matches Soffit Crown Molding profile (SCM8)
- Chimney section shipped separately
- Cabinetry and appliances located below these Wall Hoods must be pulled to a minimum of 27" and a maximum of 30" for improved function
- **Not** designed to be used with a soffit
- **Note:** Wall hood must be securely anchored to ceiling
- Laminates are painted hardwood
- **Not** available in Morristown; Melrose and Brockton are plain sawn wood

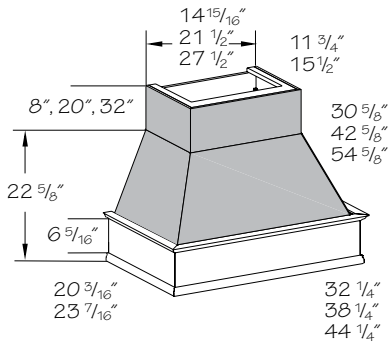
PE
APC
APFC
DE
FPEB
GD
ID
MI
RD
XS
XSG

Opening Sizes				
Cabinet	Top Width	Top Depth	Bottom Width	Bottom Depth
PWHCCFPV30	7 1/16"	6 1/16"	28 5/8"	24 1/2"
PWHCCFPV36	14 1/2"	10 1/2"	34 3/8"	28 1/2"
PWHCCFPV42	20 1/2"	10 1/2"	40 3/8"	28 1/2"

### Wall Hood Classic Artisan Chimney

(price book pg. D80)

- WHCC301930 •A
- WHCC361930 •A
- WHCC362430 •A
- WHCC422430 •A
- WHCC301942 •A
- WHCC361942 •A
- WHCC362442 •A
- WHCC422442 •A
- WHCC301954 •A
- WHCC361954 •A
- WHCC362454 •A
- WHCC422454 •A



WHCC•A

Unless indicated, measurements include molding. Shaded areas are unfinished.



Select a Wall Hood Classic Artisan Chimney when your design requires a customer specified finish treatment such as tile, stucco, metal or paint. The chimney and angled sections of the hood are unfinished to allow paint or other adhesives to hold more securely. The valance and molding section will match the wood and finish of your chosen door style.

- Solid wood/wood veneer construction
- 19" deep requires component package "J"
- 24" deep requires component package "G" or "P"
- Check local building codes for required clearances between the Wall Hood and cooking surface
- Will accept optional onlays, ordered separately; see Molding Accents section of this book
- A 3" space is recommended on the right and left side of this unit before beginning the adjacent cabinet runs
- 30 5/8" high hoods are designed for use with 8 foot ceilings
- 42 5/8" high hoods are designed for use with 9 foot ceilings
- 54 5/8" high hoods are designed for use with 10 foot ceilings
- Shaded areas are unfinished surfaces that allow for field application of paint or other decorative material
- Lower molding matches Beaded Panel Molding (BPM8) profile, other molding matches Soffit Crown Molding profile (SCM8)
- This product will **not** be covered under warranty once alterations of any kind have been made
- Chimney section shipped separately
- Cabinetry and appliances located below these Wall Hoods must be pulled to a minimum of 27" and a maximum of 30" for improved function
- **Not** designed to be used with a soffit
- Laminates are painted hardwood
- **Note:** Wall hood must be securely anchored to wall
- **Not** available in Morristown; Melrose and Brockton are plain sawn wood

PE
❖ APC
APFC
DE
FPEB
GD
ID
MI
RD
XS
XSG

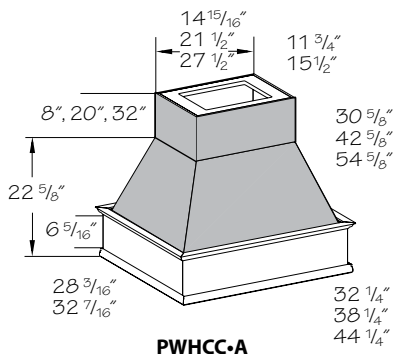
#### Opening Sizes

Cabinet	Top Width	Top Depth	Bottom Width	Bottom Depth
WHCC30•A	8"	7 1/16"	28 1/2"	18 1/16"
WHCC36•A	14 1/16"	10 3/4"	34 1/2"	21 1/16"
WHCC42•A	20 1/2"	10 3/4"	40 1/2"	21 1/16"

### Peninsula Wall Hood Classic Artisan Chimney

(price book pg. D82)

- PWHCC302830 •A
- PWHCC363330 •A
- PWHCC423330 •A
- PWHCC302842 •A
- PWHCC363342 •A
- PWHCC423342 •A
- PWHCC302854 •A
- PWHCC363354 •A
- PWHCC423354 •A



PWHCC•A

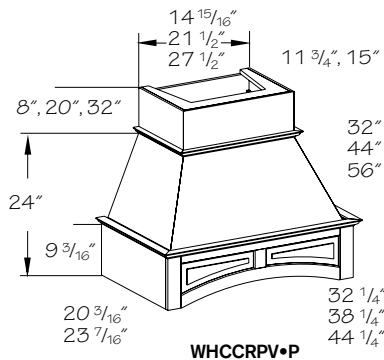
Unless indicated, measurements include molding. Shaded areas are unfinished.

- Solid wood/wood veneer construction
- 30" wide requires component package "K"
- 36"-42" wide requires component package "H" or "O"
- Check local building codes for required clearances between the Wall Hood and cooking surface
- A 3" space is recommended on the right and left side of this unit before beginning the adjacent cabinet runs
- 30 5/8" high hoods are designed for use with 8 foot ceilings
- 42 5/8" high hoods are designed for use with 9 foot ceilings
- 54 5/8" high hoods are designed for use with 10 foot ceilings
- Shaded areas are unfinished surfaces that allow for field application of paint or other decorative material
- Lower molding matches Beaded Panel Molding (BPM8) profile, other molding matches Soffit Crown Molding profile (SCM8)
- Chimney section shipped separately
- This product will **not** be covered under warranty once alterations of any kind have been made
- Cabinetry and appliances located below these Wall Hoods must be pulled to a minimum of 27" and a maximum of 30" for improved function
- Will accept optional onlays, ordered separately; see Molding Accents section of this book
- **Not** designed to be used with a soffit
- Laminates are painted hardwood
- **Note:** Wall hood must be securely anchored to ceiling
- **Not** available in Morristown; Melrose and Brockton are plain sawn wood

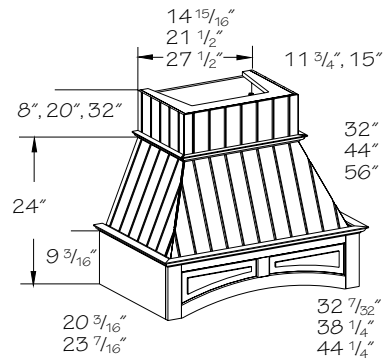
PE
❖ APC
APFC
DE
FPEB
GD
ID
MI
RD
XS
XSG

#### Opening Sizes

Cabinet	Top Width	Top Depth	Bottom Width	Bottom Depth
PWHCC30•A	7 1/16"	6 1/16"	28 1/2"	24 1/2"
PWHCC36•A	14 1/2"	10 1/2"	34 1/2"	28 1/32"
PWHCC42•A	20 1/2"	10 1/2"	40 1/2"	28 1/32"



WHCCRPV•P



WHCCRPV•BE

Unless indicated, measurements include molding

## Wall Hood Classic Chimney Raised Panel Valance

(price book pg. D82)

Plain

- WHCCRPV301932 •P
- WHCCRPV361932 •P
- WHCCRPV362432 •P
- WHCCRPV422432 •P
- WHCCRPV301944 •P
- WHCCRPV361944 •P
- WHCCRPV362444 •P
- WHCCRPV422444 •P
- WHCCRPV301956 •P
- WHCCRPV361956 •P
- WHCCRPV362456 •P
- WHCCRPV422456 •P

Beaded Panel

- WHCCRPV301932 •BE
- WHCCRPV361932 •BE
- WHCCRPV362432 •BE
- WHCCRPV422432 •BE
- WHCCRPV301944 •BE
- WHCCRPV361944 •BE
- WHCCRPV362444 •BE
- WHCCRPV422444 •BE
- WHCCRPV301956 •BE
- WHCCRPV361956 •BE
- WHCCRPV362456 •BE
- WHCCRPV422456 •BE

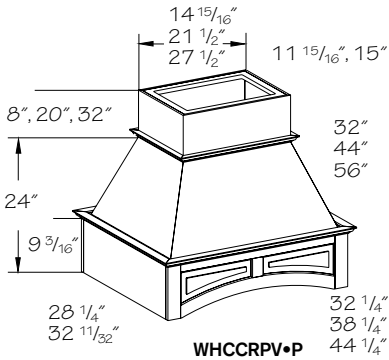
- Solid wood/wood veneer construction
- 19" deep requires component package "J"
- 24" deep requires component package "G" or "P"
- Check local building codes for required clearances between the Wall Hood and cooking surface
- A 3" space is recommended on the right and left side of this unit before beginning the adjacent cabinet runs
- 32" high hoods are designed for use with 8 foot ceilings
- 44" high hoods are designed for use with 9 foot ceilings
- 56" high hoods are designed for use with 10 foot ceilings
- Decorative molding matches Soffit Crown Molding profile (SCM8)
- Chimney section shipped separately
- Cabinetry and appliances located below these Wall Hoods must be pulled to a minimum of 27" and a maximum of 30" for improved function
- **Not** designed to be used with a soffit
- Laminates are painted hardwood
- **Note:** Wall hood must be securely anchored to wall
- **Not** available in Morristown; Melrose and Brockton are plain sawn wood



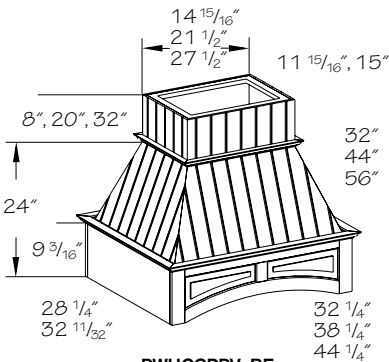
The Wall Hood Classic Chimney Raised Panel Valance includes a representative raised panel profile that blends with most raised panel door styles. It may **not** match the chosen door style exactly. Consider designing in a valance on the adjacent wall of the cooking area to coordinate with this style hood.

### Opening Sizes

Cabinet	Top Width	Top Depth	Bottom Width	Bottom Depth
WHCCRPV30	8"	7 7/16"	28 3/8"	18 3/16"
WHCCRPV36	14 9/16"	10 3/4"	34 3/8"	21 1/16"
WHCCRPV42	20 1/2"	10 3/4"	40 3/8"	21 1/16"



PHCCRPV•P



PHCCRPV•BE

Unless indicated, measurements include molding

## Peninsula Wall Hood Classic Chimney Raised Panel Valance

(price book pg. D84)

Plain

- PHCCRPV302832 •P
- PHCCRPV363332 •P
- PHCCRPV423332 •P
- PHCCRPV302844 •P
- PHCCRPV363344 •P
- PHCCRPV423344 •P
- PHCCRPV302856 •P
- PHCCRPV363356 •P
- PHCCRPV423356 •P

Beaded Panel

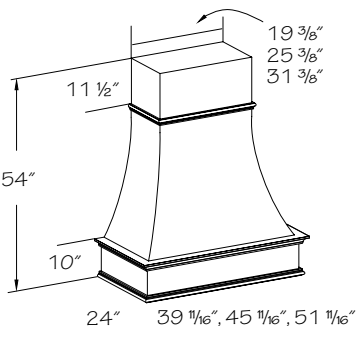
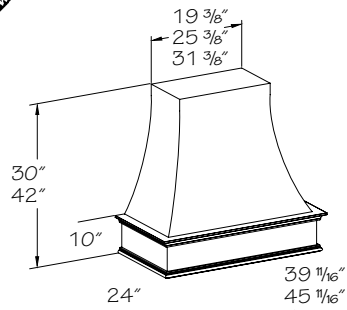
- PHCCRPV302832 •BE
- PHCCRPV363332 •BE
- PHCCRPV423332 •BE
- PHCCRPV302844 •BE
- PHCCRPV363344 •BE
- PHCCRPV423344 •BE
- PHCCRPV302856 •BE
- PHCCRPV363356 •BE
- PHCCRPV423356 •BE

- Solid wood/wood veneer construction
- 30" wide requires component package "K"
- 36"-42" wide requires component package "H" or "O"
- Check local building codes for required clearances between the Wall Hood and cooking surface
- A 3" space is recommended on the right and left side of this unit before beginning the adjacent cabinet runs
- 32" high hoods are designed for use with 8 foot ceilings
- 44" high hoods are designed for use with 9 foot ceilings
- 56" high hoods are designed for use with 10 foot ceilings
- Decorative molding matches Soffit Crown Molding profile (SCM8)
- Chimney section shipped separately
- Cabinetry and appliances located below these Wall Hoods must be pulled to a minimum of 27" and a maximum of 30" for improved function
- **Not** designed to be used with a soffit
- Laminates are painted hardwood
- **Note:** Wall hood must be securely anchored to ceiling
- **Not** available in Morristown; Melrose and Brockton are plain sawn wood

### Opening Sizes

Cabinet	Top Width	Top Depth	Bottom Width	Bottom Depth
PHCCRPV30	7 15/16"	6 15/16"	28 3/8"	24 1/2"
PHCCRPV36	14 1/2"	10 1/2"	34 3/8"	28 1/2"
PHCCRPV42	20 1/2"	10 1/2"	40 3/8"	28 1/2"

New



### Wall Hood Cove

(price book pg. D84)

**WHCV362430**

**WHCV422430**

**WHCV482430**

**WHCV362442**

**WHCV422442**

**WHCV482442**

❖ **WHCV362454**

❖ **WHCV422454**

❖ **WHCV482454**

❖ 54" Cove Hood will have trim molding approximately 12" from the top of the chimney

Color coding indicates new product, size or code

PE
❖ APC
APFC
DE
FPEB
GD
ID
MI
RD
XS
XSG

- Solid wood/wood veneer construction
- Check local building codes for required clearances between the Wall Hood and cooking surface
- Requires component package "G" or "P"
- A 3" space is recommended on the right and left side of this unit before beginning the adjacent cabinet runs
- 30" high hoods are designed for use with 8 foot ceilings
- 42" high hoods are designed for use with 9 foot ceilings
- 54" high hoods are designed for use with 10 foot ceilings
- Decorative molding on top matches Small Cove Molding profile (SCVM8). Bottom molding matches Cove Light Rail profile (CVLR8)
- Chimney section shipped separately
- Cabinetry and appliances located below these Wall Hoods must be pulled to a minimum of 27" and a maximum of 30" for improved function
- Available in Cherry, Laminate and Maple door styles only
- Recirculating component packages are **not** available
- **Not** designed to be used with a soffit
- **Note:** Wall hood must be securely anchored to wall

Opening Sizes				
Cabinet	Top Width	Top Depth	Bottom Width	Bottom Depth
WHCV36	10 3/4"	12 13/16"	21 5/8"	34 1/2"
WHCV42	10 3/4"	18 13/16"	21 5/8"	40 1/2"
WHCV48	10 3/4"	24 13/16"	21 5/8"	46 1/2"

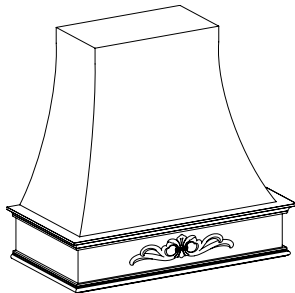


Order a decorative drawer front from our Custom Appliance panel program to create a customized insert that matches your door profile for the front apron of your hood.

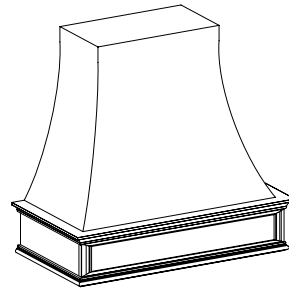
You may also use a drawer front to create a matching custom look on the 12" cap used to create the 54" H units.

### Wall Hood Cove Application

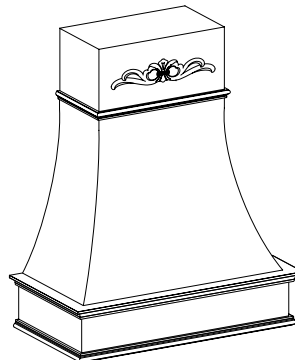
PE
APC
APFC
DE
FPEB
GD
ID
MI
RD
XS
XSG



30"H - 42" H



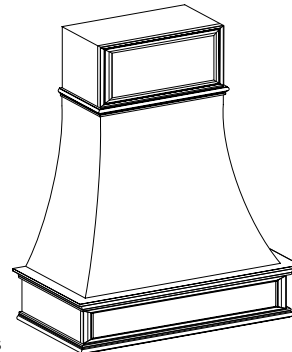
30"H - 42" H



Onlays

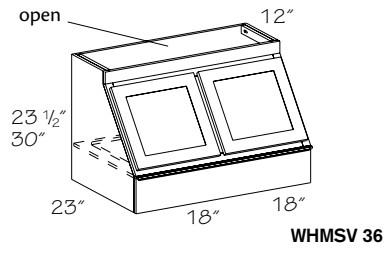
54" H

Drawer Front Panels

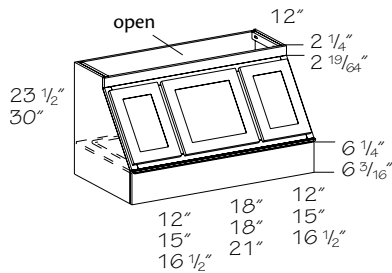


54" H

- Make the cooking area a dramatic focal point by adding a drawer front, appliance panel, molding or only to the cove hood to create architectural interest
- Decorate the front apron of the hood with a drawer front to add architectural interest, which can be ordered through the Custom Appliance Panel Program
- Customize the 12" H cap on the 54" H units with a molding stack, custom appliance panel used as wainscot, or a decorative only
- Don't forget to trim out the top of your hood with the same top molding you are using for the wall cabinets in your kitchen



WHMSV 36



WHMSV 42-54

## Wall Hood Matching Straight Valance

(price book pg. D84)

- WHMSV3624
- WHMSV4224
- WHMSV4824
- WHMSV5424
- WHMSV3630
- WHMSV4230
- WHMSV4830
- WHMSV5430

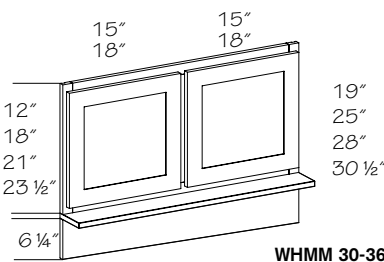


A Wall Hood Matching Straight Valance works well when the kitchen design incorporates continuous top molding across the cooking area, including adjacent cabinets.

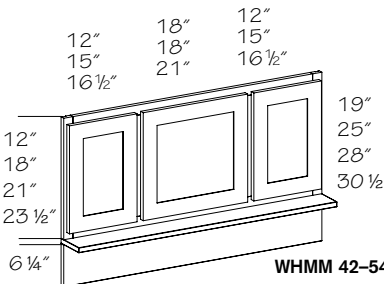
- Solid wood/wood veneer construction
- Requires component package "G" or "P"
- Check local building codes for required clearances between the Wall Hood and cooking surface
- 23 1/2" high units are designed to align with 90" cabinets
- 30" high hoods are designed to align with 96" high cabinets
- Will accept optional onlays, ordered separately; see Molding Accents section of this book
- Doors open to facilitate duct installation and wiring
- Cabinetry and appliances located below these Wall Hoods must be pulled to a minimum of 27" and a maximum of 30" for improved function
- Laminates are painted hardwood
- **Not** available in Morristown; Melrose and Brockton are plain sawn wood
- **Note:** Wall hood must be installed between two cabinets

PE
APC
APFC
DE
FPEB
GD
ID
MI
RD
XS
XSG

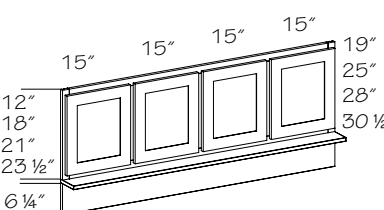
Opening Sizes						
Cabinet	Top Width	Top Depth	Bottom Width	Bottom Depth	Floor Opening Width	Floor Opening Depth
WHMSV36	33 1/8"	10 9/16"	34 3/8"	21 9/16"	29 1/8"	17"
WHMSV42	39 1/8"	10 9/16"	40 3/8"	21 9/16"	29 1/8"	17"
WHMSV48	45 1/8"	10 9/16"	46 3/8"	21 9/16"	29 1/8"	17"
WHMSV54	51 1/8"	10 9/16"	52 3/8"	21 9/16"	29 1/8"	17"



WHMM 30-36



WHMM 42-54



WHMM 60

## Wall Hood Mantle Matching

(price book pg. D86)

- |          |          |
|----------|----------|
| WHMM3019 | WHMM3028 |
| WHMM3619 | WHMM3628 |
| WHMM4219 | WHMM4228 |
| WHMM4819 | WHMM4828 |
| WHMM5419 | WHMM5428 |
| WHMM6019 | WHMM6028 |
| WHMM3025 | WHMM3031 |
| WHMM3625 | WHMM3631 |
| WHMM4225 | WHMM4231 |
| WHMM4825 | WHMM4831 |
| WHMM5425 | WHMM5431 |
| WHMM6025 | WHMM6031 |



Choose the Wall Hood Mantle Matching when you prefer a larger, wider focal point that matches your chosen door style. Personalize the front shelf area with an onlay or corbel. Personalize the design by incorporating companion onlays to enhance the cooking focal point of the kitchen.

- Solid wood/wood veneer construction
- No end panels, must be supported on each side by Wall Hood Mantle Cabinet or Wall Column
- 3/4" thick, 4 1/4" deep solid wood shelf
- 19" high hoods are designed to be set 29" above the cooking surface (84" ceiling)
- 25" high hoods are designed to be set 29" above the cooking surface (90" ceiling)
- 28" high hoods are designed to be set 29" above the cooking surface (93" ceiling)
- 30 1/2" high hoods are designed to be set 29 1/2" above the cooking surface (96" ceiling)
- 30" wide at 18" or 21" depth requires component package "L"
- 36" wide used at 18" depth requires component package "L"
- 36" wide used at 21" depth requires component package "I" or "Q"
- 42"-60" wide requires component package "I" or "Q"
- Doors open to facilitate duct installation and wiring
- Cabinetry and appliances located below these Wall Hoods must be pulled to a minimum of 27" and a maximum of 30" for improved function
- Will accept optional onlays, ordered separately; see Molding Accents section of this book
- Laminates are painted hardwood
- **Not** available in Morristown; Melrose and Brockton are plain sawn wood

PE
APC
APFC
DE
FPEB
GD
ID
MI
RD
XS
XSG

### Wall Hood Mantle Cabinet

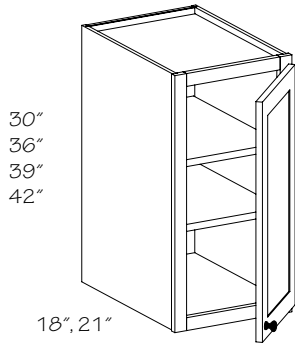
(price book pg. D88)

Two Shelves

- WHMC121830 R or L
- WHMC151830 R or L
- WHMC181830 R or L
- WHMC122130 R or L
- WHMC152130 R or L
- WHMC182130 R or L

Three Shelves

- WHMC121836 R or L
- WHMC151836 R or L
- WHMC181836 R or L
- WHMC122136 R or L
- WHMC152136 R or L
- WHMC182136 R or L
- WHMC121839 R or L
- WHMC151839 R or L
- WHMC181839 R or L
- WHMC122139 R or L
- WHMC152139 R or L
- WHMC182139 R or L
- WHMC121842 R or L
- WHMC151842 R or L
- WHMC181842 R or L
- WHMC122142 R or L
- WHMC152142 R or L
- WHMC182142 R or L



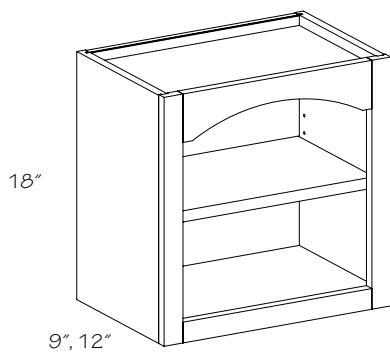
- Additional support required
- 18" deep Wall Hood Mantle Cabinets are to be used with 30"-36" Wall Hood Mantle Matching (WHMM) units only. Larger units will **not** ventilate properly.
- Bottom door is always square
- Void All Door and Drawer Front option (VDA) is **not** available
- Laminates are painted hardwood
- **Not** available in Morristown
- ☆ APFC standard when APC option is selected

PE
● APC
☆ APFC
● DE
❖ FPEB
● GD
ID
● MI
RD
● XS
● XSG

### Under Cabinet Open Storage

(price book pg. D88)

- UCOS120918
- UCOS150918
- UCOS180918
- UCOS121218
- UCOS151218
- UCOS181218



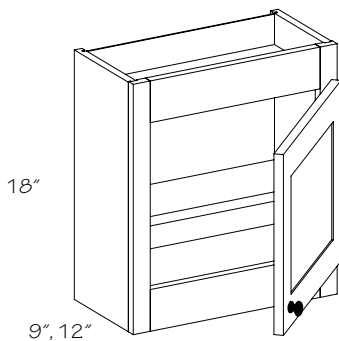
- One adjustable shelf
- Refer to the appliance manufacturer's specifications for clearance between the Under Cabinet Storage cabinets and the cooking surface for residential applications
- Consult your local building code to determine the amount of space required between the cooking surface and the Under Cabinet Storage cabinets for commercial applications
- Laminates are painted hardwood
- **Not** available in Morristown
- ☆ APFC standard when APC option is selected

PE
● APC
☆ APFC
DE
❖ FPEB
GD
ID
❖ MI
RD
XS
XSG

### Under Cabinet Door Storage

(price book pg. D88)

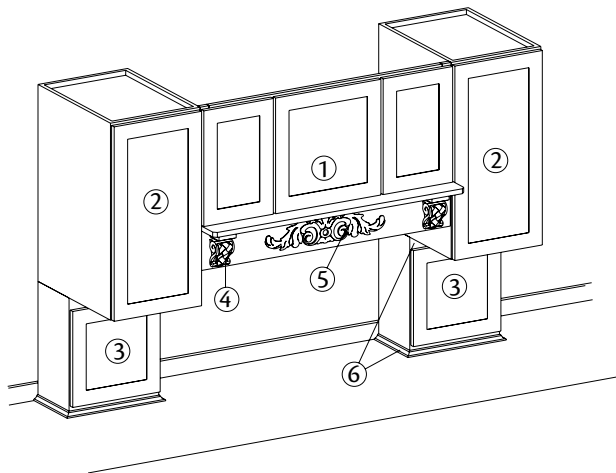
- UCDS150918 R or L
- UCDS180918 R or L
- UCDS151218 R or L
- UCDS181218 R or L



- One adjustable shelf
- Top and bottom rails are 3" high allowing for molding application
- Refer to the appliance manufacturer's specifications for clearance between the Under Cabinet Storage cabinets and the cooking surface for residential applications
- Consult your local building code to determine the amount of space required between the cooking surface and the Under Cabinet Storage cabinets for commercial applications
- If ordered in an arched door style, it will be supplied square
- Laminates are painted hardwood
- **Not** available in Morristown
- ☆ APFC standard when APC option is selected

PE
● APC
☆ APFC
DE
❖ FPEB
● GD
ID
● MI
RD
XS
XSG

## Wall Hood Mantle Matching Application



- Gain a "Mantle" style appearance in your kitchen design while maximizing your storage
- Personalize the design by incorporating molding and companion onlays to enhance the cooking focal point of the kitchen
- Wall Hood Mantle cabinets must be used to support the hood. The increased overall depth makes a "bump-out" focal point that is easy to design.
- 18" deep Wall Hood Mantle Cabinets are to be used with 30"-36" Wall Hood Mantle Matching (WHMM) units only. Larger units will **not** ventilate properly.
- Add a Low Voltage Lighting Kit near the front, beneath the Wall Hood Mantle cabinets (B) to highlight lower storage
- Create a hearth surround for the cooking area in your kitchen with components that work as a system for 84", 90" and 96" high cabinetry designs

1. Wall Hood Mantle Matching (WHMM)
2. Wall Hood Mantle Cabinet (WHMC)
3. Under Cabinet Door Storage (UCDS)
4. Corbels
5. Onlay
6. 3" rails allow for molding application at top or bottom of Under Cabinet Door Storage

### Wall Hood–Stainless

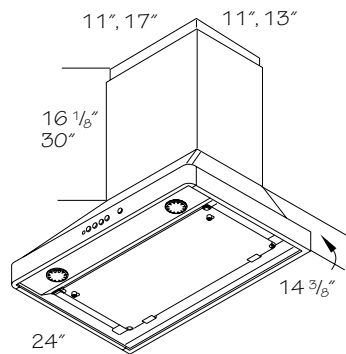
(price book pg. D90)

#### SWH30

- Includes a 410 CFM squirrel cage fan and has push button controls
- 6" round duct vents on top back left corner

#### SWH36

- Includes a 600 CFM squirrel cage fan and has push button controls
- 7" round duct vents on top



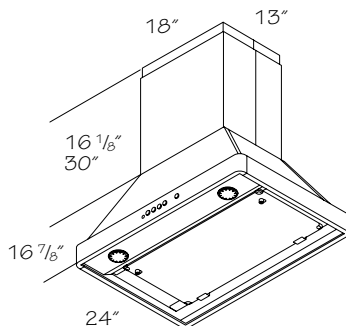
- Requires two 50 watt maximum, 120 volt halogen light bulbs (PAR 20) which are available at hardware or lighting retailers
- This unit is used for ducted to exterior installation
- Easy to clean aluminum slot filter
- Chimney is adjustable from 16 1/8" to 30" high
- Chimney shipped unattached

### Peninsula Wall Hood–Stainless

(price book pg. D90)

#### PSWH36

- 7" round duct vents on top
- Includes a 600 CFM squirrel cage fan and has push button controls
- Requires two 50 watt maximum, 120 volt halogen light bulbs (PAR 20) which are available at hardware or lighting retailers
- This unit is used for ducted to exterior installation
- Easy to clean aluminum slot filter
- Chimney is adjustable from 16 1/8" to 30" high
- Chimney shipped unattached



PE  
APC  
APFC  
DE  
FPFB  
GD  
ID  
MI  
RD  
XS  
XSG

PE  
APC  
APFC  
DE  
FPFB  
GD  
ID  
MI  
RD  
XS  
XSG

Wall Cabinets

PE  
APC  
APFC  
DE  
FPFB  
GD  
ID  
MI  
RD  
XS  
XSG

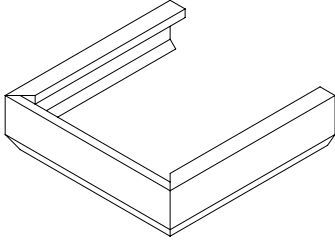
**Wall Hood—Stainless Trim Ring**

(price book pg. D90)

**SWHTR30**

**SWHTR36**

- Slides onto chimney
- Chimney must have 2 1/4" exposed to allow room for trim ring



PE
APC
APFC
DE
FPEB
GD
ID
MI
RD
XS
XSG

**Wall Hood—Stainless Bow Front**

(price book pg. D90)

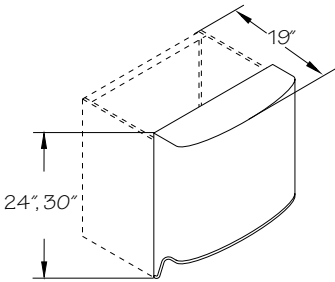
**SWHBF3024**

**SWHBF3624**

**SWHBF3030**

**SWHBF3630**

- Front is removable to facilitate duct installation and wiring
- Requires component package "M" or "N"



PE
APC
APFC
DE
FPEB
GD
ID
MI
RD
XS
XSG

**Wall Hood Component Package (A, B & C)—Recirculating**

(price book pg. D90)

Package "B"

**CRHCP30 R •SN**

**CRHCP36 R •SN**

Package "C"

**PRHCP30 R •SN**

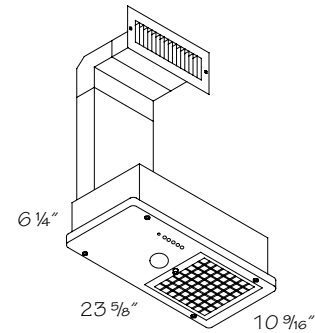
**PRHCP36 R •SN**

Package "A"

**RHCP30 R •SN**

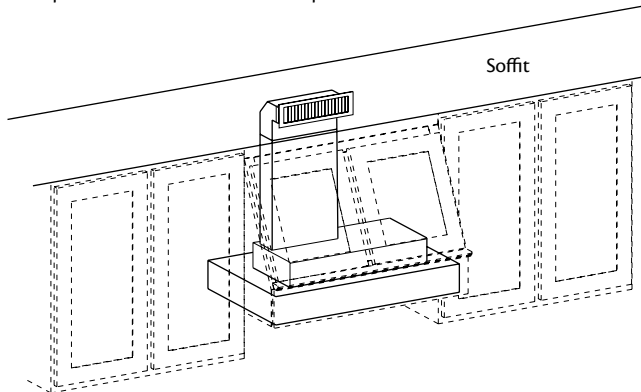
**RHCP36 R •SN**

- This unit includes a satin nickel colored metal liner, and an easy to clean aluminum slot filter. This is powered by a 300 CFM squirrel cage fan and has push button controls. This unit comes with two feet of 3 1/4" x 10" ductwork, a 90° elbow, charcoal filter and grille.
- Red power indicator light
- Requires a 50 watt, 120 volt halogen lamp (MR16 GU10 base) which are available at hardware or lighting retailers

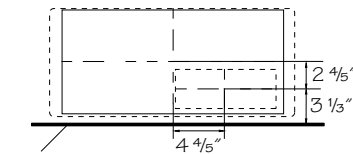


PE
APC
APFC
DE
FPEB
GD
ID
MI
RD
XS
XSG

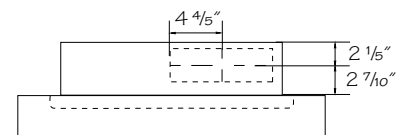
Example of installation when soffit is present



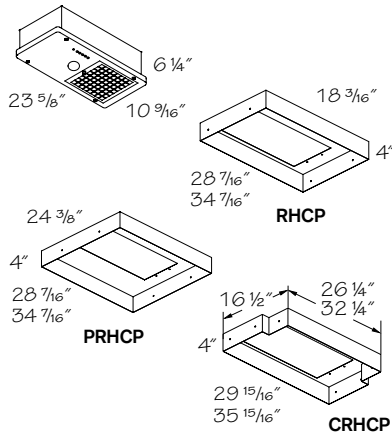
Front



Top View



Side View



### Wall Hood Component Package (D, E & F)–Vented

(price book pg. D92)

Package "E"

**CRHCP30 V -SN**  
**CRHCP36 V -SN**

Satin Nickel  
Satin Nickel

Package "F"

**PRHCP30 V -SN**  
**PRHCP36 V -SN**

Satin Nickel  
Satin Nickel

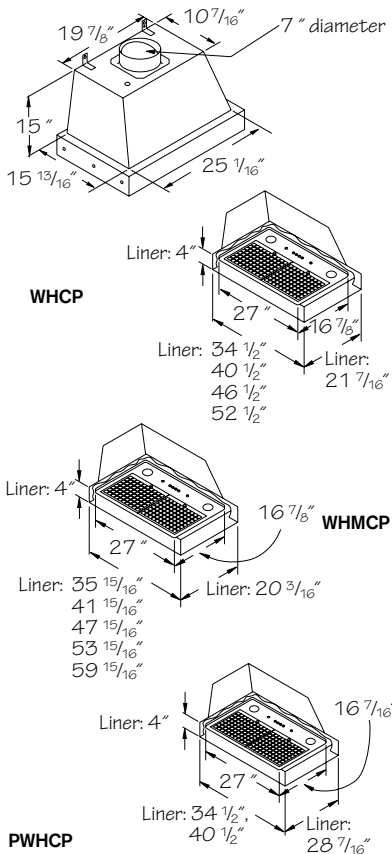
Package "D"

**RHCP30 V -SN**  
**RHCP36 V -SN**

Satin Nickel  
Satin Nickel

- This unit includes metal liner, and an easy to clean aluminum slot filter. This is powered by a 300 CFM squirrel cage fan and has push button controls. 3 1/4" x 10" duct vents on top back left corner.
- Red power indicator light
- Requires a 50 watt, 120 volt halogen lamp (MR16 GU10 base) which are available at hardware or lighting retailers

PE
APC
APFC
DE
FPEB
GD
ID
MI
RD
XS
XSG



### Wall Hood Component Package (G, H & I)–Vented

(price book pg. D92)

Package "H"

**PWHCP3633 V**  
**PWHCP4233 V**

- This unit is used for ducted to exterior installation
- 7" round duct vents on top
- Red power indicator light
- Powered by a 710 CFM (WHCP and WHMCP) or 650 CFM (PWHCP) 3-speed squirrel cage fan and has push button controls
- Requires two 50 watt maximum, 120 volt halogen light bulbs (PAR 20) which are available at hardware or lighting retailers
- Easy to clean aluminum slot filter
- Includes stainless steel liner
- Interior of stainless liner is clear, powder coated
- Front panel of blower is clear powder coated-for no fingerprints
- Not** available in Morristown

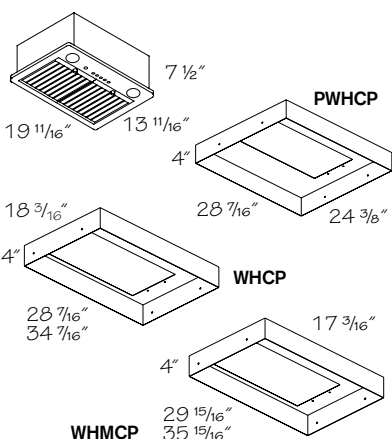
PE
APC
APFC
DE
FPEB
GD
ID
MI
RD
XS
XSG

Package "G"

**WHCP3624 V**  
**WHCP4224 V**  
**WHCP4824 V**  
**WHCP5424 V**

Package "I"

**WHMCP3621 V**  
**WHMCP4221 V**  
**WHMCP4821 V**  
**WHMCP5421 V**  
**WHMCP6021 V**



### Wall Hood Component Package (J, K & L)–Vented

(price book pg. D92)

Package "K"

**PWHCP3028 V**

Package "J"

**WHCP3019 V**  
**WHCP3619 V**

Package "L"

**WHMCP3018 V**  
**WHMCP3618 V**

- This unit is used for ducted to exterior installation
- 6" round duct vents on top back left corner
- Red power indicator light
- Powered by a 350 CFM squirrel cage fan and has push button controls
- Requires two 35 watt maximum, 120 volt halogen light bulbs (MR16 GU10 base) which are available at hardware or lighting retailers
- Easy to clean aluminum slot filter
- Includes stainless steel liner
- Interior of stainless liner is clear, powder coated
- Front panel of blower is clear powder coated-for no fingerprints
- Not** available in Morristown

PE
APC
APFC
DE
FPEB
GD
ID
MI
RD
XS
XSG

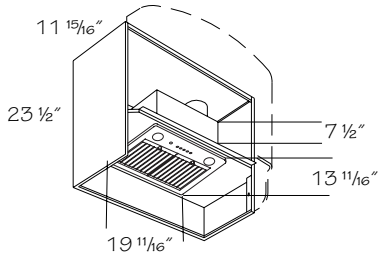
**Wall Hood Component Package (M)–Vented**

(price book pg. D92)

Package "M"

**SWHBFCP30**  
**SWHBFCP36**

- This unit is used for ducted to exterior installation
- Powered by a 350 CFM squirrel cage fan and has push button controls
- 6" round duct vents on top back left corner
- Requires two 35 watt maximum, 120 volt halogen light bulbs (MR16 GU10 base) which are available at hardware or lighting retailers
- Includes stainless steel liner
- Easy to clean aluminum slot filter



PE
APC
APFC
DE
FPEB
GD
ID
MI
RD
XS
XSG

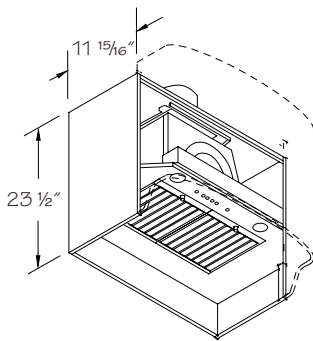
**Wall Hood Component Package (N)–Vented**

(price book pg. D94)

Package "N"

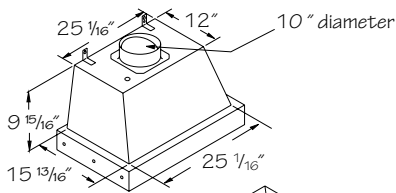
**SWHCP30 -600**  
**SWHCP36 -600**

- This unit is used for ducted to exterior installation
- Powered by a 630 CFM squirrel cage fan and has push button controls
- 7" round duct vents on top
- Requires two 35 watt maximum, 120 volt halogen light bulbs (MR16 GU10 base) which are available at hardware or lighting retailers
- Includes stainless steel liner
- Easy to clean aluminum slot filter

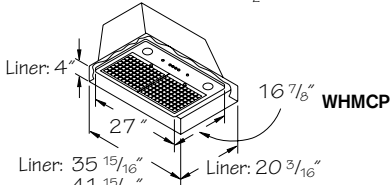
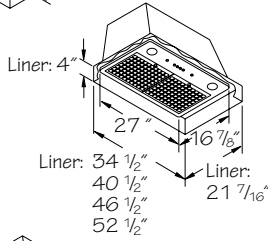


PE
APC
APFC
DE
FPEB
GD
ID
MI
RD
XS
XSG

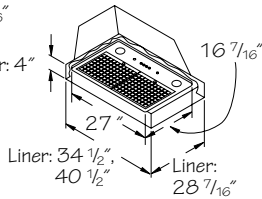
New



WHCP



PWHCP



### Wall Hood Component Package (O, P, Q)-Vented

(price book pg. D94)

Package "O"

- PWHCP3633 V-2
- PWHCP4233 V-2

Package "P"

- WHCP3624 V-2
- WHCP4224 V-2
- WHCP4824 V-2
- WHCP5424 V-2

Package "Q"

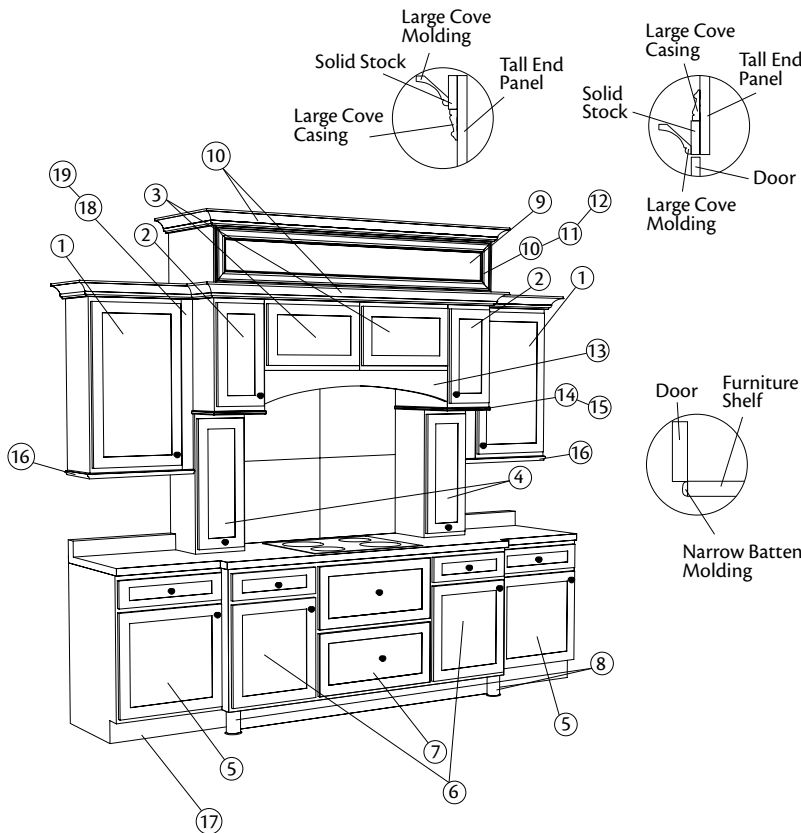
- WHMCP3621 V-2
- WHMCP4221 V-2
- WHMCP4821 V-2
- WHMCP5421 V-2
- WHMCP6021 V-2

Color coding indicates new product, size or code

- This unit is used for ducted to exterior installation
- 10" round duct vents on top
- Red power indicator light
- Powered by a 1010 CFM 3-speed squirrel cage fan and has push button controls
- Requires two 50 watt maximum, 120 volt halogen light bulbs (PAR 20) which are available at hardware or lighting retailers
- Easy to clean aluminum slot filter
- Interior of stainless liner is clear, powder coated
- Front panel of blower is clear powder coated-for no fingerprints

PE
APC
APFC
DE
FPEB
GD
ID
MI
RD
XS
XSG

### Wall Hood Solution 1

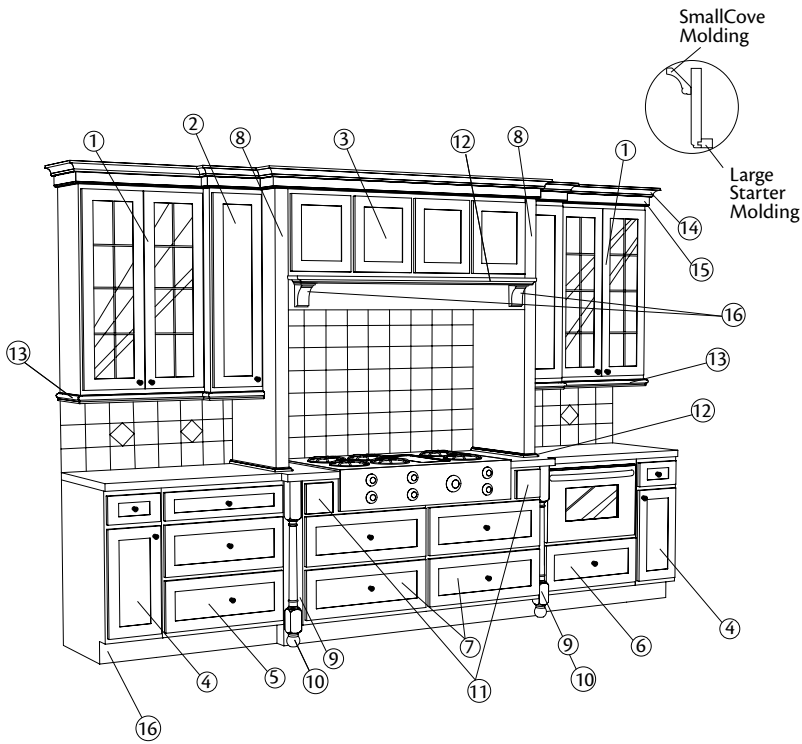


- Wall Cabinets
- Wall Cabinets (Increased Depth to 21"; with Furniture Plywood Ends)
- Wall Top Hinge Cabinets (Cabinet Front Only)
- Wall Pantry Pull-out (with Furniture Plywood Ends)
- Base Cabinets
- Base Cabinet (pulled to 27"; with Furniture Plywood Ends; Void Toe Kick)
- Base Pots and Pans Storage (pulled to 27"; Scoop Top Drawer; Void Toe Kick)
- Aluminum Round Legs
- Wood Tall End Panel (cut to build box)
- Large Cove Molding
- Large Cove Casing
- Solid Stock
- Valance - Cove
- Furniture Shelves
- Narrow Batten Molding (applied to exposed edges)
- Cove Light Rail
- Toe Kick Material
- Wall Filler
- Wall Filler Overlay

PE
APC
APFC
DE
FPEB
GD
ID
MI
RD
XS
XSG

Wall Cabinets

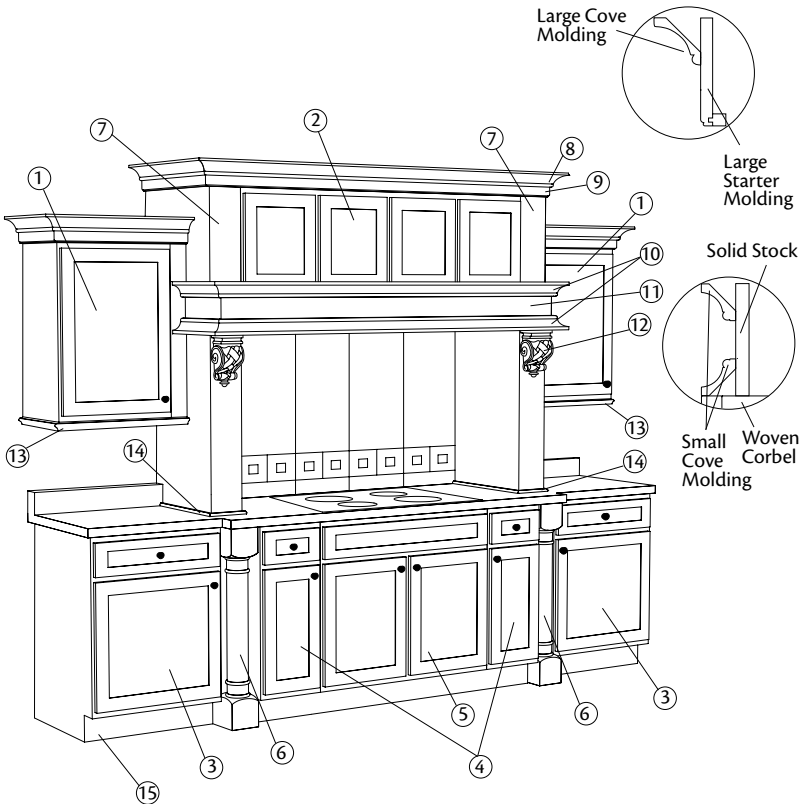
## Wall Hood Solution 2



- 1. Wall Cabinets (with Glass Inserts)
- 2. Wall Cabinets (Increased Depth to 15"; with Furniture Plywood Ends)
- 3. Wall Hood Mantle Matching
- 4. Base Cabinets
- 5. Base Pots and Pans Storage
- 6. Base Microwave Cabinet
- 7. Deep Range Base (pulled to 27"; with Furniture Plywood Ends)
- 8. Wall Column
- 9. Base Column
- 10. Classic Leg
- 11. Replacement Drawer Front
- 12. Ogee Edging
- 13. Small Cove Light Rail
- 14. Small Cove Molding
- 15. Large Starter Molding
- 16. Cove Corbel
- 17. Toe Kick Material

PE
APC
APFC
DE
FPEB
GD
ID
MI
RD
XS
XSG

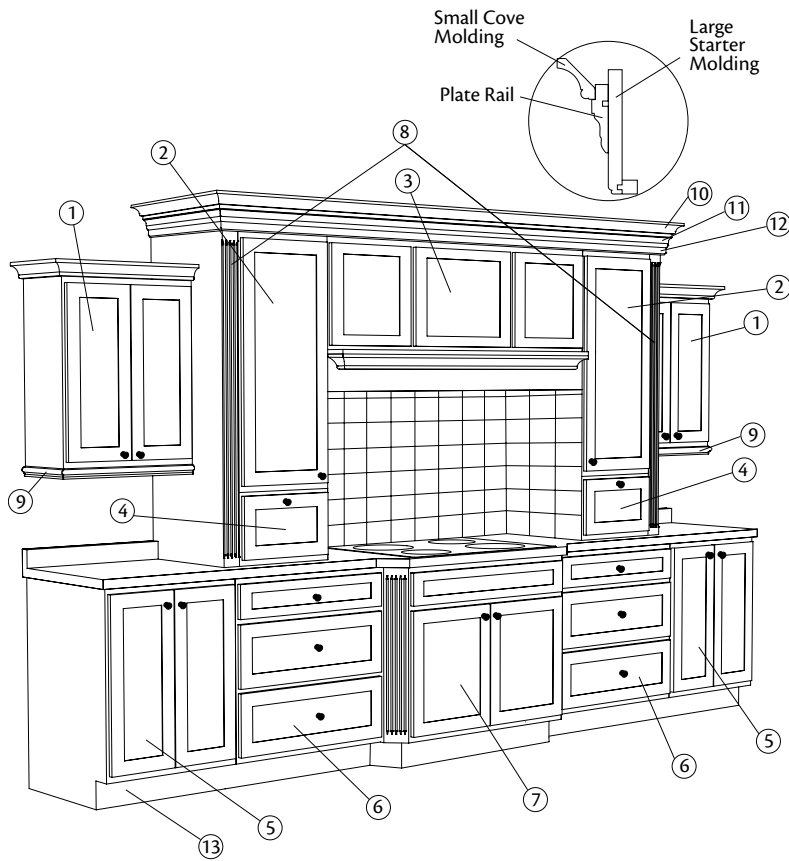
## Wall Hood Solution 3



- 1. Wall Cabinets (with Integrated Extended Stile)
- 2. Wall Hood Mantle Matching
- 3. Base Cabinets
- 4. Base Cabinets (pulled to 27"; with Furniture Plywood Ends)
- 5. Range Base 27" D
- 6. Roman Spindle with filler behind
- 7. Tall Column
- 8. Large Cove Molding
- 9. Large Starter Molding
- 10. Small Cove Molding
- 11. Solid Stock
- 12. Woven Corbel
- 13. Small Cove Light Rail
- 14. Ogee Edging
- 15. Toe Kick Material

PE
APC
APFC
DE
FPEB
GD
ID
MI
RD
XS
XSG

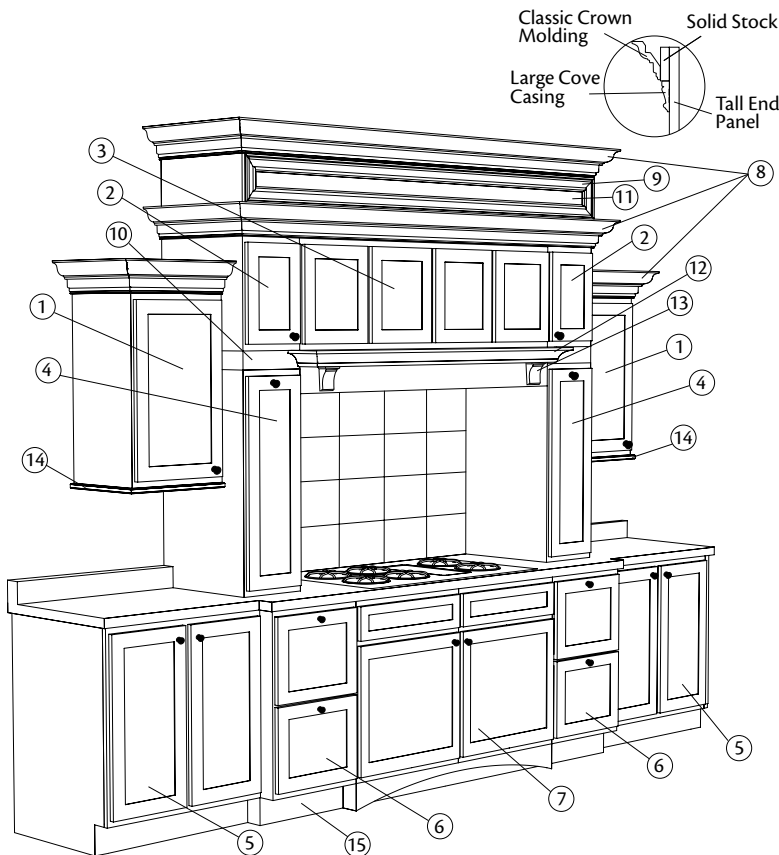
### Wall Hood Solution 4



- 1. Wall Cabinets
- 2. Wall Cabinet (Increased Depth to 21"; with Wood Skin)
- 3. Wall Hood Mantle Matching
- 4. Furniture Drawer
- 5. Base Cabinets
- 6. Base Pots & Pans Storage
- 7. Sink Base Fluted Clipped Corners
- 8. Wall Fluted Column
- 9. Light-Ready Molding-Small Cove
- 10. Small Cove Molding
- 11. Plate Rail
- 12. Large Starter Molding
- 13. Toe Kick Material

PE
APC
APFC
DE
FPEB
GD
ID
MI
RD
XS
XSG

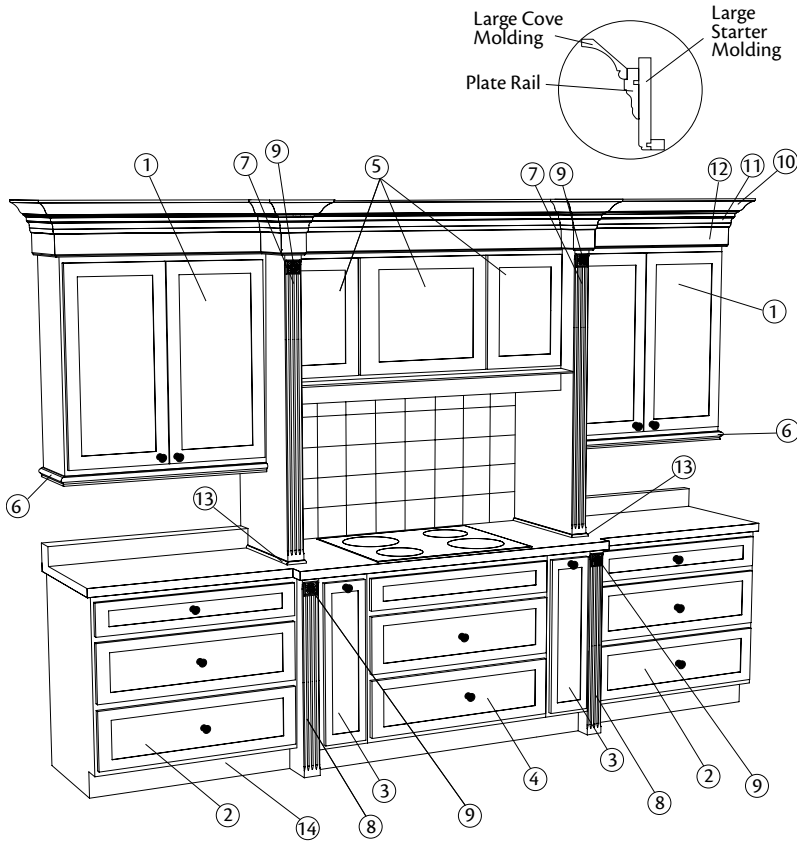
### Wall Hood Solution 5



- 1. Wall Cabinets (ID to 15")
- 2. Wall Cabinet (ID to 21"; with Furniture Plywood Ends)
- 3. Wall Hood Mantle Matching
- 4. Wall Pantry Pull-out (pulled to 21"; skin sides)
- 5. Base Cabinets
- 6. Base Pots & Pans Storage (with Furniture Plywood Ends; pull to 27")
- 7. Range Base 27"D (Wide Rail Cove; with Furniture Plywood Ends)
- 8. Classic Crown Molding
- 9. Large Cove Casing
- 10. Solid Stock
- 11. Tall End Panel (cut to build box)
- 12. Large Cove Molding
- 13. Cove Corbel
- 14. Single Bead Pilaster
- 15. Toe Kick Material

PE
APC
APFC
DE
FPEB
GD
ID
MI
RD
XS
XSG

## Wall Hood Solution 6



- 1. Wall Cabinets
- 2. Base Pots & Pans Storage
- 3. Base Pantry Pull-out (pull to 27")
- 4. Base Pots & Pans Storage (pull to 27"; Scoop Top Drawer)
- 5. Wall Hood Mantle Matching
- 6. Cove Light Rail
- 7. Wall Fluted Column
- 8. Base Fluted Column (pull to 27")
- 9. Estate Ornament
- 10. Large Cove Molding
- 11. Plate Rail
- 12. Large Starter Molding
- 13. Ogee Edging
- 14. Toe Kick Material

PE
APC
APFC
DE
FPEB
GD
ID
MI
RD
XS
XSG