

Wall Specialty Cabinets

Construction Options and Modifications

- - - - Available with an upcharge
- ❖ - - - Included as standard
- (Blank) - Not available

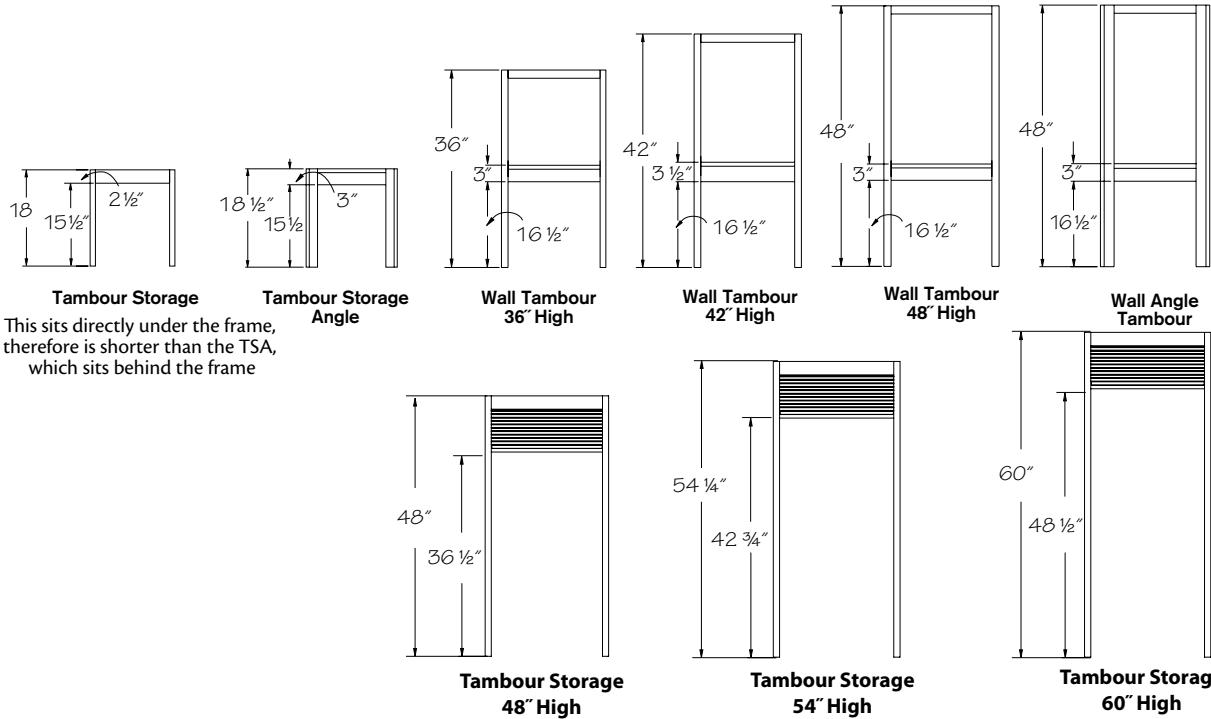
- PE - - - Plywood Ends
- APC - - All Plywood Construction
- APFC - - All Plywood Furniture Construction
- DE - - - Integrated Decorative End
- FPEB - - Furniture Plywood Ends
- GD - - - Glass Doors
- ID - - - Increased Depth
- MI - - - Matching Interior
- RD - - - Reduced Depth
- TWR - - Top Wide Rail
- XS - - - Extended Stile

WMSP	36	36
code	width	height

Material dimensions may be nominal based on lumber industry standards.

Specifications subject to change without notice.

Tambour Configurations



PE
APC
APFC
DE
FPEB
GD
ID
MI
RD
TWR
XS

New

Tambour Storage

(price book pg. D94)

Aluminum
Three shelves

- TS2448 -A
- TS3048 -A
- TS3648 -A
- TS2454 -A
- TS3054 -A
- TS3654 -A

Four shelves

- TS2460 -A
- TS3060 -A
- TS3660 -A

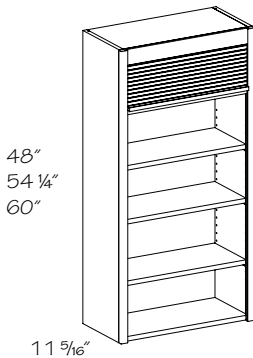
Stainless
Three shelves

- TS2448 -S
- TS3048 -S
- TS3648 -S
- TS2454 -S
- TS3054 -S
- TS3654 -S

Four shelves

- TS2460 -S
- TS3060 -S
- TS3660 -S

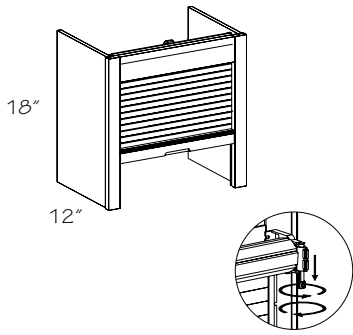
- Pull and tambour are aluminum or stainless finished PVC
- Low voltage lighting cannot be installed in the top of this cabinet



Color coding indicates new product, size or code

PE
APC
❖ APFC
DE
FPEB
GD
ID
❖ MI
RD
TWR
XS

Wall Cabinets



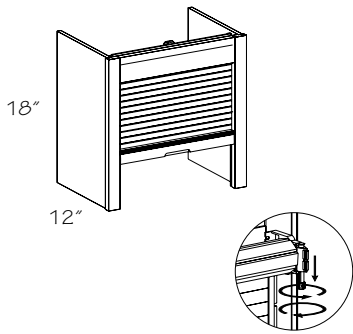
Tambour Storage-18" H

(price book pg. D96)

- TS18
- TS21
- TS24
- TS27
- TS30
- TS33
- TS36

- Tambour opens to allow 13 1/2" access height
- Tambour tension controlled with thumb screw adjustment
- **Not** available in Morristown; Melrose and Brockton are plain sawn wood

●	PE
●	APC
●	APFC
●	DE
●	FPEB
GD	
●	ID
●	MI
●	RD
	TWR
●	XS



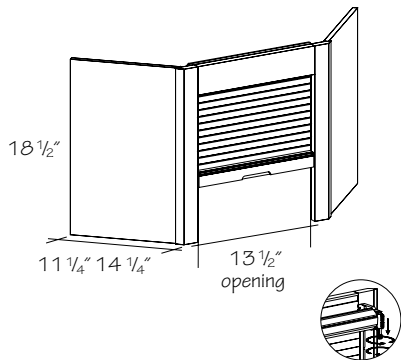
Tambour Storage-18" H Mission

(price book pg. D96)

- TS18 -M
- TS21 -M
- TS24 -M
- TS27 -M
- TS30 -M
- TS33 -M
- TS36 -M

- Tambour opens to allow 13 1/2" access height
- Tambour tension controlled with thumb screw adjustment
- Pull and tambour are quartersawn oak
- Available in quartersawn oak door styles only

●	PE
●	APC
●	APFC
●	DE
●	FPEB
GD	
●	ID
●	MI
●	RD
	TWR
●	XS



Tambour Storage Angle

(price book pg. D96)

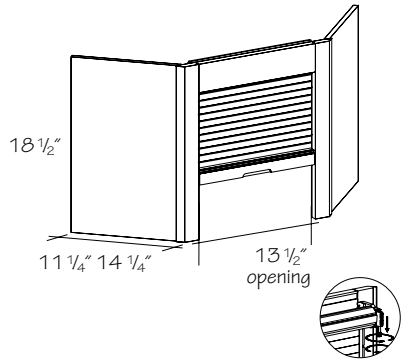
TSA2418

☆ TSA2718

☆ Furniture Plywood Ends (FPEB) standard; recommended matching interior option is MIFP

- Tambour opens to allow 14" access height
- This unit is shipped with the sides at 90° to the face frame
- Tambour tension controlled with thumb screw adjustment
- Installation **note:** These units may be installed flush with the face frame of a wall angle (WA) cabinet by trimming the height
- **Not** available in Morristown; Melrose and Brockton are plain sawn wood

●	PE
●	APC
●	APFC
DE	
☆	FPEB
GD	
ID	
●	MI
RD	
TWR	
XS	



Tambour Storage Angle Mission

(price book pg. D96)

TSA2418 -M

☆☆ TSA2718 -M

☆ Furniture Plywood Ends (FPEB) standard; recommended matching interior option is MIFP

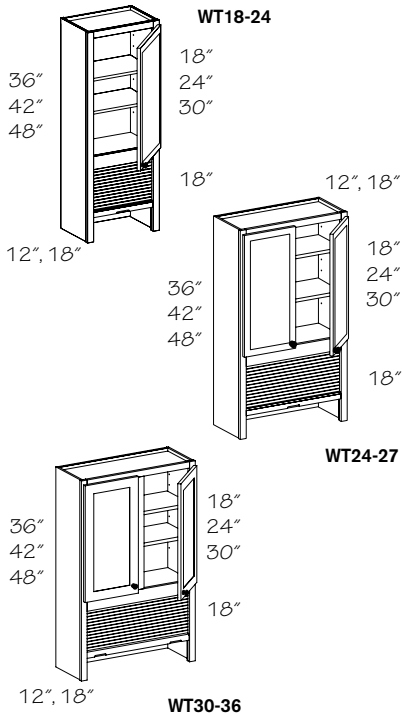
※ Flush finished ends standard

- Tambour opens to allow 14" access height
- This unit is shipped with the sides at 90° to the face frame
- Tambour tension controlled with thumb screw adjustment
- Pull and tambour are quartersawn oak
- Available in quartersawn oak door styles only
- Installation **note:** These units may be installed flush with the face frame of a wall angle (WA) cabinet by trimming the height

●	PE
●	APC
●	APFC
DE	
☆	FPEB
GD	
ID	
●	MI
RD	
TWR	
XS	



- PE
- APC
- APFC
- DE
- FPFB
- GD
- ID
- MI
- RD
- TWR
- XS



Wall Tambour Cabinet

(price book pg. D98)

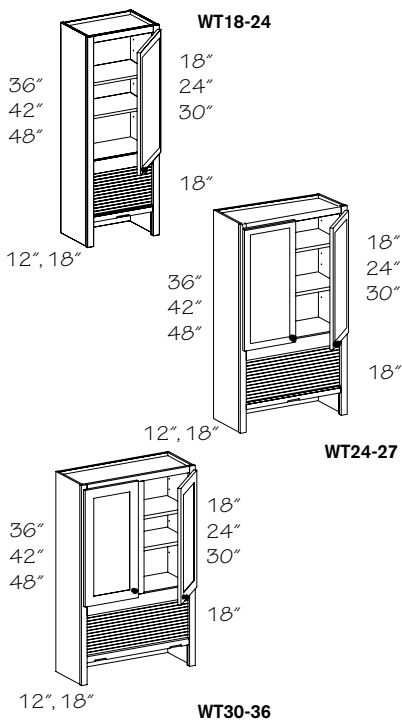
Specify R or L
12" Deep

- WT181236 R or L
- WT241236 BUTT
- WT271236 (Butt)
- WT301236
- WT361236
- WT181242 R or L
- WT241242 R or L
- WT241242 BUTT
- WT271242 (Butt)
- WT301242
- WT361242
- WT181248 R or L
- WT241248 R or L
- WT241248 BUTT
- WT271248 (Butt)
- WT301248
- WT361248

18" Deep

- WT181836 R or L
- WT241836 BUTT
- WT271836 (Butt)
- WT301836
- WT361836
- WT181842 R or L
- WT241842 R or L
- WT241842 BUTT
- WT271842 (Butt)
- WT301842
- WT361842
- WT181848 R or L
- WT241848 R or L
- WT241848 BUTT
- WT271848 (Butt)
- WT301848
- WT361848

- Tambour opens to allow 15" access height
- 36" high has no shelves, 42" has one shelf and 48" has two shelves
- Tambour tension controlled with thumb screw adjustment
- **Not** available in Morristown; Melrose and Brockton are plain sawn wood



Wall Tambour Cabinet Mission

(price book pg. D100)

Specify R or L
12" Deep

- WT181236 R or L-M
- WT241236 BUTT-M
- WT271236 (Butt)-M
- WT301236 -M
- WT361236 -M
- WT181242 R or L-M
- WT241242 R or L-M
- WT241242 BUTT-M
- WT271242 (Butt)-M
- WT301242 -M
- WT361242 -M
- WT181248 R or L-M
- WT241248 R or L-M
- WT241248 BUTT-M
- WT271248 (Butt)-M
- WT301248 -M
- WT361248 -M

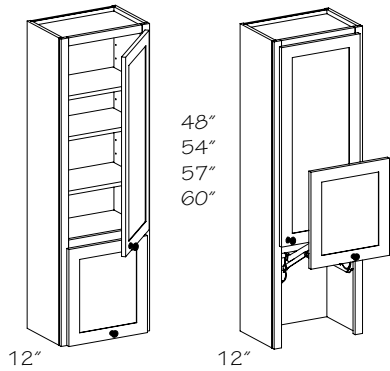
18" Deep

- WT181836 R or L-M
- WT241836 BUTT-M
- WT271836 (Butt)-M
- WT301836 -M
- WT361836 -M
- WT181842 R or L-M
- WT241842 R or L-M
- WT241842 BUTT-M
- WT271842 (Butt)-M
- WT301842 -M
- WT361842 -M
- WT181848 R or L-M
- WT241848 R or L-M
- WT241848 BUTT-M
- WT271848 (Butt)-M
- WT301848 -M
- WT361848 -M

- Tambour opens to allow 15" access height
- 36" high has no shelves, 42" has one shelf and 48" has two shelves
- Tambour tension controlled with thumb screw adjustment
- Pull and tambour are quartersawn oak
- Available in quartersawn oak door styles only



- PE
- APC
- APFC
- DE
- FPFB
- GD
- ID
- MI
- RD
- TWR
- XS



Wall Appliance Garage

(price book pg. D102)

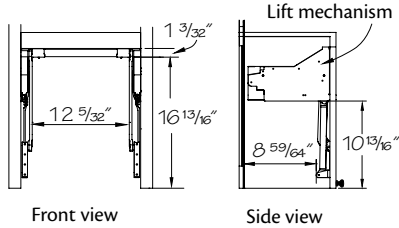
Two shelves

- WAG181248 R or L**
- WAG241248 BUTT**
- WAG301248**
- WAG361248**

Three shelves

- WAG181254 R or L**
- WAG241254 BUTT**
- WAG301254**
- WAG361254**
- WAG181257 R or L**
- WAG241257 BUTT**
- WAG301257**
- WAG361257**
- WAG181260 R or L**
- WAG241260 BUTT**
- WAG301260**
- WAG361260**

- Clearance from countertop to bottom of door is 20 1/32"
- Void All Door and Drawer Front option (VDA) is **not** available
- Bottom door is always square
- ☆ Glass doors available for top doors only
- ☆ Maximum Increased Depth (ID) is 24"



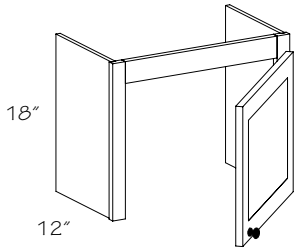
●	PE
●	APC
●	APFC
●	DE
◆	FPEB
☆	GD
☆	ID
●	MI
	RD
	TWR
●	XS

Door Storage

(price book pg. D102)

- DOS18 R or L**
- DOS21 R or L**
- DOS24 BUTT**

- **Note:** Square doors will be supplied on this cabinet when ordered in arched door styles
- **Not** trimmable



●	PE
●	APC
●	APFC
●	DE
●	FPEB
●	GD
●	ID
●	MI
●	RD
	TWR
●	XS

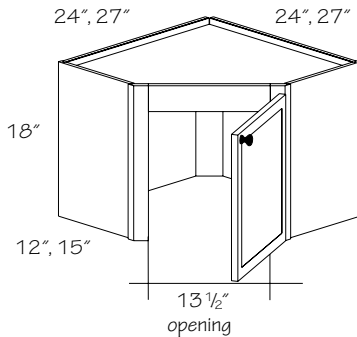
Door Storage Angle

(price book pg. D102)

- DOSA2418 R or L**
- ☆ **DOSA2718 R or L**

- ☆ Furniture Plywood Ends (FPEB) standard; recommended matching interior option is MIFP
- ※ Flush finished ends standard

- Access height is 15"
- **Not** trimmable
- **Note:** Square doors will be supplied on this cabinet when ordered in arched door styles



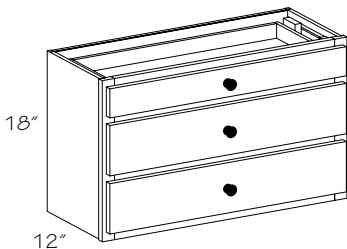
●	PE
●	APC
●	APFC
	DE
☆	FPEB
●	GD
	ID
●	MI
	RD
	TWR
	XS

Drawer Storage Cabinet

(price book pg. D102)

- DS15**
- DS18**
- DS21**
- DS24**
- DS27**
- DS30**

- Three drawers with full extension side-mount runners
- Top drawer will have a slab drawer front in Abington, Argonne, Astoria, Atwater, Atwater Cathedral, Bradford, Chadwick, Courtney, Dresden, Durango, Greenwich, Halstead, Knollwood, Lindsay, Lockeford, all Marquette, Northbrook, Northwicke, Parker House, Polarcrest, Rutherford and Sheridan
- If DRPD option is selected, the top drawer front will be 3/4" slab with matching door profile for Bridgewater, Bridgewater Cathedral, Brookfield Birch, Cherry, Hickory, Maple and Oak
- If DRPD option is selected, the bottom two drawer fronts will be five-piece recessed panel for Bridgewater and Bridgewater Cathedral



●	PE
●	APC
●	APFC
●	DE
●	FPEB
	GD
	ID
	MI
	RD
	TWR
●	XS

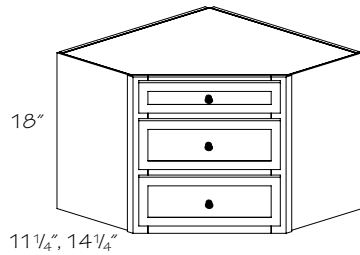
Drawer Storage Angle

(price book pg. D102)

DSA2418

☆ **DSA2718**

☆ Furniture plywood ends (FPEB) standard



- Three drawers with full extension side-mount runners
- Top drawer will have a slab drawer front in Abington, Argonne, Astoria, Atwater, Atwater Cathedral, Bradford, Chadwick, Courtney, Dresden, Durango, Greenwich, Halstead, Knollwood, Lindsay, Lockeford, all Marquette, Northbrook, Northwicke, Parker House, Polarcrest, Rutherford and Sheridan
- If DRPD option is selected, the top drawer front will be 3/4" slab with matching door profile for Bridgewater, Bridgewater Cathedral, Brookfield Birch, Cherry, Hickory, Maple and Oak
- If DRPD option is selected, the bottom two drawer fronts will be five-piece recessed panel for Bridgewater and Bridgewater Cathedral



When including a tambour unit, wall angle drawer (WAD), door storage (DOSA) or drawer storage cabinet in your design, consider using a countertop with a loose back splash. This will prevent having to notch the cabinet.

●	PE
●	APC
●	APFC
	DE
☆	FPEB
	GD
	ID
	MI
	RD
	TWR
	XS

New

Wall Lateral Bifold Cabinet

(price book pg. D104)

Two shelves

WLBF2430

WLBF3030

WLBF3630

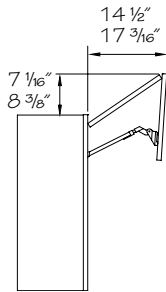
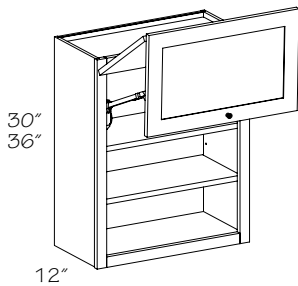
Three shelves

WLBF2436

WLBF3036

WLBF3636

Color coding indicates new product, size or code



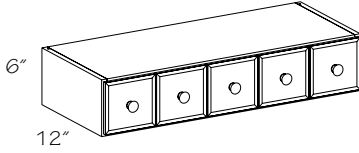
- Breakaway hinge engages or separates, when an object is caught between the doors as they are closing
 - Available in full overlay door styles only
 - Door-to-door hinge will show slightly when glass doors are applied
 - Adjustable shelves
 - Any wall cabinet over 24" wide or 30" high with a depth greater than 12" and/or with butt doors must be installed between two (2) cabinets, a cabinet and a wall or supported from below
 - Allow 8 11/16" above the cabinet for proper door clearance
- ☆ **Not** available with mullion glass doors

●	PE
●	APC
●	APFC
	DE
●	FPEB
☆	GD
●	ID
●	MI
	RD
	TWR
	XS

Spice Drawer Cabinet

(price book pg. D104)

- SDC18** 3 Drawers
- SDC24** 4 Drawers
- SDC30** 5 Drawers
- SDC36** 6 Drawers
- SDC42** 7 Drawers



When using an Organizer (O—) Cabinet or Spice Drawer Cabinet (SDC), which have flush ends standard, under a wall cabinet at the end of a run, either attach Furniture Ends (FE) or order a 3/16" Wood Skin (WSK) for the wall cabinet to flush the ends. (There will be a seam.) Also, consider ordering a furniture matching wall end panel if the height of the finished product allows it.

For an alternative, see our Organizer Wall Cabinet in the Office Cabinet section.

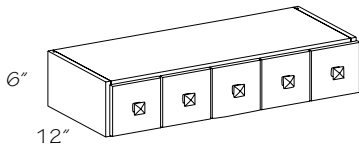
- 5/8" wood veneer construction
- Drawer boxes have 1/2" sides and 3/4" floor, front and back
- Drawer box slides along wood guide. Wood guide is used to keep drawers from moving left to right.
- Interior drawer depth 10 1/16"
- Solid wood drawer fronts
- Drawer front is adjustable
- All drawer boxes are natural birch wood veneer plywood
- **Not** available in Morristown; Melrose and Brockton are plain sawn wood
- Matching wood knobs included, **not** installed
- Replacement knobs available—use the following order codes: 181 for Oak and Hickory; 634 for Laminates; 161 for Birch and Maple; 171 for Cherry. See Decorative Hardware section of this book for description.
- **Note:** This cabinet features "frameless" type construction

PE
APC
APFC
DE
FPEB
GD
ID
MI
RD
TWR
XS

Spice Drawer Cabinet Mission

(price book pg. D104)

- SDC18 •M** 3 Drawers
- SDC24 •M** 4 Drawers
- SDC30 •M** 5 Drawers
- SDC36 •M** 6 Drawers
- SDC42 •M** 7 Drawers



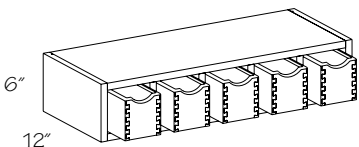
- 5/8" quartersawn wood veneer construction
- Drawer boxes have 1/2" sides and 3/4" floor, front and back
- Drawer box slides along wood guide. Wood guide is used to keep drawers from moving left to right.
- Interior drawer depth 10 1/16"
- Solid wood quartersawn drawer fronts
- Drawer front is adjustable
- All drawer boxes are natural birch wood veneer plywood
- Matching wood knobs included, **not** installed
- Replacement knobs available. Use order code 7023. See Decorative Hardware section of this book for description.
- Available in quartersawn oak door styles only
- **Note:** This cabinet features "frameless" type construction

PE
APC
APFC
DE
FPEB
GD
ID
MI
RD
TWR
XS

Dovetailed Spice Drawer Cabinet

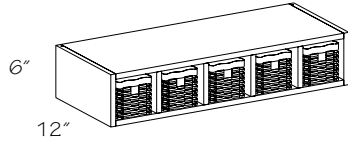
(price book pg. D104)

- DTSDC18** 3 Drawers
- DTSDC24** 4 Drawers
- DTSDC30** 5 Drawers
- DTSDC36** 6 Drawers
- DTSDC42** 7 Drawers



- 5/8" wood veneer construction
- Quartersawn door styles will be supplied in plain sawn wood
- Drawer boxes are 1/2" thick solid beech with a natural finish
- Drawer interior is 3 1/4" wide and 10" deep from front to back
- **Note:** This cabinet features "frameless" type construction

PE
APC
APFC
DE
FPEB
GD
ID
MI
RD
TWR
XS



Wicker Spice Drawer Cabinet

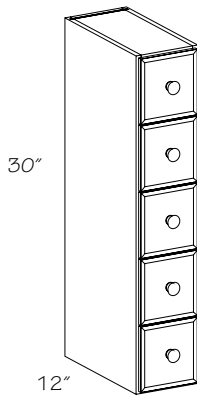
(price book pg. D104)

- WSDC18** 3 Drawers
- WSDC24** 4 Drawers
- WSDC30** 5 Drawers
- WSDC36** 6 Drawers
- WSDC42** 7 Drawers

- 5/8" wood veneer construction
- Quartersawn door styles will be supplied in plain sawn wood
- Wicker baskets are in natural finish and are shipped with a removable, washable liner of unbleached cotton canvas
- **Note:** This cabinet features "frameless" type construction



PE
APC
APFC
DE
FPEB
GD
ID
❖ MI
RD
TWR
XS



Vertical Spice Drawer Cabinet

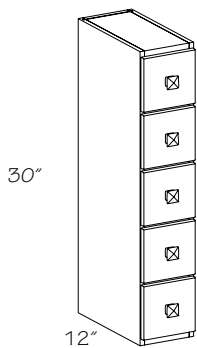
(price book pg. D104)

VSDC6

- 5/8" wood veneer construction
- Drawer boxes have 1/2" sides and 3/4" floor, front and back
- Drawer box slides along wood guide. Wood guide is used to keep drawers from moving left to right.
- Interior drawer depth 10 1/16"
- Solid wood drawer fronts
- Drawer front is adjustable
- All drawer boxes are natural birch wood veneer plywood
- Matching wood knobs included, **not** installed
- Recommended installation is between two cabinets
- Replacement knobs available—use the following order codes: 181 for Oak and Hickory; 634 for Laminates; 161 for Birch and Maple; 171 for Cherry. See Decorative Hardware section of this book for description.
- **Note:** This cabinet features "frameless" type construction
- **Not** available in Morristown; Melrose and Brockton are plain sawn wood



PE
APC
APFC
DE
FPEB
GD
ID
❖ MI
RD
TWR
XS



Vertical Spice Drawer Cabinet Mission

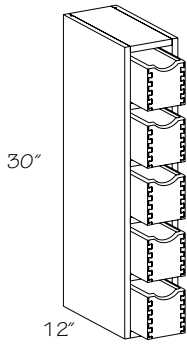
(price book pg. D106)

VSDC6 -M

- 5/8" quartersawn wood veneer construction
- Drawer boxes have 1/2" sides and 3/4" floor, front and back
- Drawer box slides along wood guide. Wood guide is used to keep drawers from moving left to right.
- Interior drawer depth 10 1/16"
- Solid wood quartersawn drawer fronts
- Drawer front is adjustable
- All drawer boxes are natural birch wood veneer plywood
- Matching wood knobs included, **not** installed
- Recommended installation is between two cabinets
- Replacement knobs available. Use order code 7023. See Decorative Hardware section of this book for description.
- Available in quartersawn oak door styles only
- **Note:** This cabinet features "frameless" type construction



PE
APC
APFC
DE
FPEB
GD
ID
❖ MI
RD
TWR
XS



Dovetailed Vertical Spice Drawer Cabinet

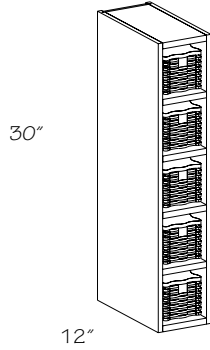
(price book pg. D106)

DTVSDC6

- 5/8" wood veneer construction
- Drawer boxes are 1/2" thick solid beech with a natural finish
- Quartersawn door styles will be supplied in plain sawn wood
- Drawer interior is 3 1/4" wide and 10" deep from front to back
- Recommended installation is between two cabinets
- **Note:** This cabinet features "frameless" type construction



PE
APC
APFC
DE
FPEB
GD
ID
❖ MI
RD
TWR
XS



Wicker Vertical Spice Drawer Cabinet

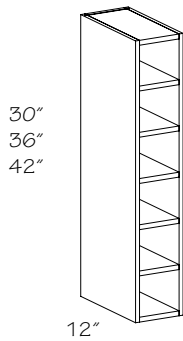
(price book pg. D106)

WVSDC6

- 5/8" wood veneer construction
- Quartersawn door styles will be supplied in plain sawn wood
- Recommended installation is between two cabinets
- Wicker baskets are in natural finish and are shipped with a removable, washable liner of unbleached cotton canvas
- **Note:** This cabinet features "frameless" type construction



PE
APC
APFC
DE
FPEB
GD
ID
❖ MI
RD
TWR
XS



Wall Wine Rack Cabinet

(price book pg. D106)

WWR630 5 shelves

WWR636 6 shelves

WWR642 7 shelves

- 5/8" wood veneer construction
- Quartersawn door styles will be supplied in plain sawn wood
- Intended for vertical installation only
- Recommended installation is between two cabinets
- **Note:** This cabinet features "frameless" type construction
- Contrasting Back Options (CBEB, CPLB, CVGR) **not** available
- ☆ Reduced Depth (RD) **not** available in laminate door styles



PE
APC
APFC
DE
FPEB
GD
ID
❖ MI
☆ RD
TWR
XS

Organizers

(price book pg. D106, H2)

O24

O27

O30

O33

O36

- 5/8" wood veneer construction
- Quartersawn door styles will be supplied in plain sawn wood
- **Note:** This cabinet features "frameless" type construction
- Contrasting Back Options (CBEB, CPLB, CVGR) **not** available

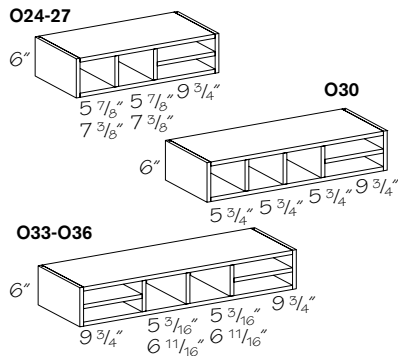


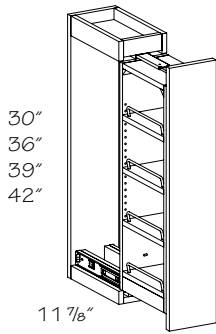
When using an Organizer (O—) Cabinet or Spice Drawer Cabinet (SDC), which have flush ends standard, under a wall cabinet at the end of a run, either attach Furniture Ends (FE) or order a 3/16" Wood Skin (WSK) for the wall cabinet to flush the ends. (There will be a seam.) Also, consider ordering a furniture matching wall end panel if the height of the finished product allows it.

For an alternative, see our Organizer Wall Cabinet in the Office Cabinet section.

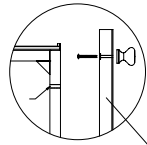


PE
APC
APFC
DE
FPEB
GD
ID
❖ MI
RD
TWR
XS

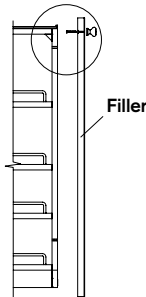




Install decorative hardware prior to attaching filler to pull-out unit



Filler



Side View

Wall Filler Pull-out

(price book pg. D108)

Three adjustable shelves

WFP3-30 2 1/8" shelf width

WFP6-30 5 1/8" shelf width

Four adjustable shelves

WFP3-36 2 1/8" shelf width

WFP6-36 5 1/8" shelf width

WFP3-39 2 1/8" shelf width

WFP6-39 5 1/8" shelf width

Five adjustable shelves

WFP3-42 2 1/8" shelf width

WFP6-42 5 1/8" shelf width

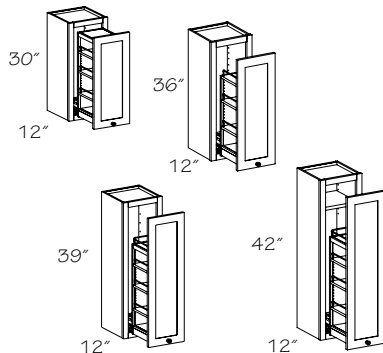
Color coding indicates new product, size or code

- Quartersawn door styles will be supplied in plain sawn wood
- Unit slides on full extension side-mount runners
- Recommended installation is between two cabinets
- Installation may also be made between a cabinet and a wall or a cabinet and an end panel
- Filler is included, but unattached. Unit should be installed before removing shipping brace and attaching filler.
- A filler overlay is recommended for full overlay door styles; must be ordered separately



Do **not** use filler pullouts (WFP, WSPP, BFP, BSPP) at the end of cabinet runs or next to appliances. They must be installed between two cabinets or a cabinet and an end panel.

- PE
- APC
- APFC
- DE
- FPEB
- GD
- ID
- MI
- RD
- TWR
- XS



Wall Pantry Pull-out

(price book pg. D108)

* **WPP930**

* **WPP939**

* **WPP1230**

* **WPP1239**

* **WPP936**

+* **WPP942**

* **WPP1236**

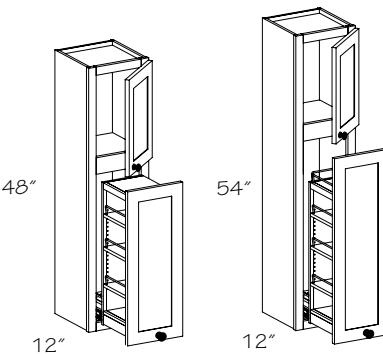
+ **WPP1242**

* Doors are square except full overlay arch door styles. Evana Cathedral and Findlay Cathedral door styles will be square. Greenwich, Harlowe, Smithton and Vanderbilt doors will have a solid, recessed flat panel.

+ One adjustable shelf above pull out

- Three adjustable shelves
- Shelves have solid wood floor with chrome wire side rails
- Shelves are 9 1/2" deep
- Shelf widths are 4 1/4" or 7 1/8"
- Unit slides on full extension side-mount runners

- PE
- APC
- APFC
- DE
- FPEB
- GD
- ID
- MI
- RD
- TWR
- XS



Wall Pantry Pull-out Stack

(price book pg. D108)

* **WPPST948 R or L**

WPPST1248 R or L

* **WPPST954 R or L**

WPPST1254 R or L

* Doors are square except full overlay arch door styles. Evana Cathedral and Findlay Cathedral door styles will be square. Greenwich, Harlowe, Smithton and Vanderbilt doors will have a solid, recessed flat panel.

- Two vertical compartments with fixed rail and floor
- Any wall cabinet over 24" wide or 30" high with a depth greater than 12" and/or with butt doors must be installed between two (2) cabinets, a cabinet and a wall or supported from below
- Available in full overlay door styles only
- Bottom door is always square
- ☆ Glass doors available for top doors only

- PE
- APC
- APFC
- DE
- FPEB
- ☆ GD
- ID
- MI
- RD
- TWR
- XS

Wall Stainless Perforated Pull-out

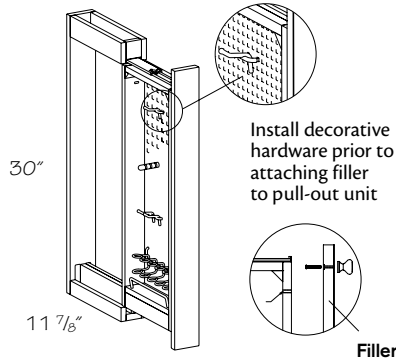
(price book pg. D108)

WSPP3 R or L

- Includes eight single 3" hooks, four double 3" hooks, eight 3" pegs and one 5-hole rack

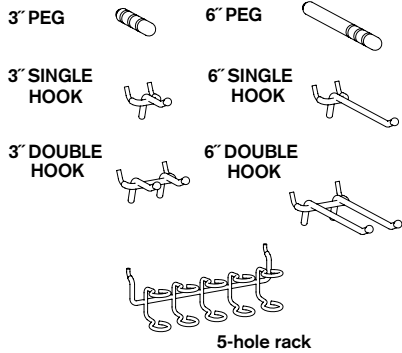
WSPP6 R or L

- Includes three single 3" hooks, eight single 6" hooks, four double 6" hooks, eight 6" pegs and one 5-hole rack



- Quartersawn door styles will be supplied in plain sawn wood
- Unit slides on full extension side-mount runners
- Recommended installation is between two cabinets
- Installation may also be made between a cabinet and a wall or a cabinet and an end panel
- Right shown
- Filler is included, but unattached. Unit should be installed before removing shipping brace and attaching filler.
- A filler overlay is recommended for full overlay door styles; must be ordered separately

●	PE
●	APC
●	APFC
●	DE
●	FPEB
●	GD
●	ID
●	MI
●	RD
●	TWR
●	XS



Pull-out Accessory Pack

(price book pg. D108)

SPPAP3

- Includes ten single 3" hooks, five double 3" hooks, twelve 3" pegs and five 5-hole racks

SPPAP6

- Includes five single 3" hooks, ten single 6" hooks, five double 6" hooks, twelve 6" pegs and five 5-hole racks

●	PE
●	APC
●	APFC
●	DE
●	FPEB
●	GD
●	ID
●	MI
●	RD
●	TWR
●	XS

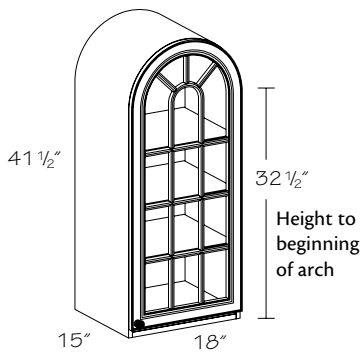
Wall Dome Top

(price book pg. D110)

Specify R or L

WDT181542 R or L

- 5/8" wood veneer construction
- This cabinet has no face frame
- Three removable shelves
- Glass shelf kit available GSK1815
- Includes arched top mullion door with clear tempered glass
- Contrasting Back Options (CBEB, CPLB, CVGR) **not** available
- Back Options (BEB and VGRB) **not** available
- Not** available in Ashfield, Astoria, Brockton, Chadwick, Courtney, Dresden, Durango Birch, Eldridge, Evana, all Fox Chase, Findlay, Garrison, Harlowe, Harrington, Jamison, Judson, Kendrick, Lincoln, Lindsay, Lockeford, Morristown, Parkerhouse, Patterson, Putnam Oak, Richland, Rutherford, Seton, Smithton, Sydney, Tennyson or Vanderbilt; Melrose is plain sawn wood.
- Not** available with Wood Inserts



●	PE
●	APC
●	APFC
●	DE
●	FPEB
◇	GD
◇	ID
◇	MI
◇	RD
◇	TWR
◇	XS



PE

● APC

● APFC

DE

❖ FPB

GD

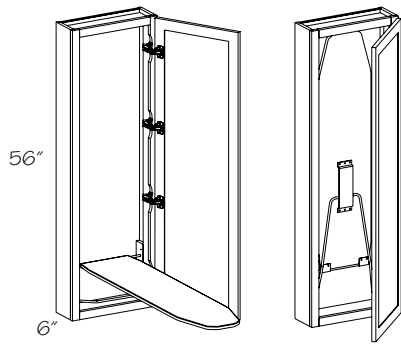
ID

● MI

RD

TWR

XS



Wall Ironing Board Cabinet

(price book pg. D110)

WIB1856 R or L

Replacement Cover

WIBCK

- Ironing board is 11" x 45", 5/8" thick white melamine
- Ironing board latches in closed position
- Designed for surface mount installation
- Ironing board cover included
- Contrasting Back Options (CBEB, CPLB, CVGR) **not** available



● PE

● APC

● APFC

DE

● FPB

GD

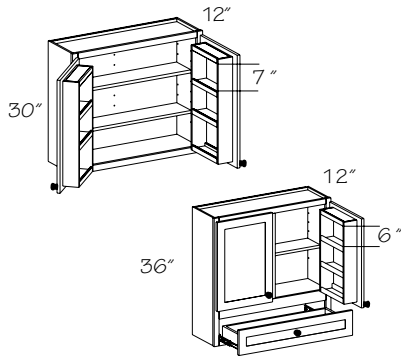
ID

● MI

RD

● TWR

● XS



Wall Multi-Storage Pantry

(price book pg. D110)

WMSP3630 (Butt)

※ WMSP3636

- ※ Full extension side-mount drawer glides; Mullion strip attached to left door
- Adjustable 7 1/8" deep shelves
- Two 4" deep door storage racks with three fixed shelves
- Must be installed between two cabinets or a cabinet and wall with supplied connectors
- **Not** available with knife hinge door option