

Wall Accessories

Construction Options and Modifications

- --- Available with an upcharge
- ◆ --- Included as standard
- (Blank) - Not available

- PE --- Plywood Ends
- APC --- All Plywood Construction
- APFC --- All Plywood Furniture Construction
- FPEB --- Furniture Plywood Ends
- GD --- Glass Doors
- ID --- Increased Depth
- MI --- Matching Interior
- RD --- Reduced Depth
- XS --- Extended Stile

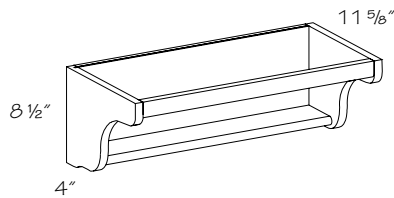
Material dimensions may be nominal based on lumber industry standards.

Specifications subject to change without notice.

PCWFC	3	15	24
code	width	depth	height

Under Cabinet Shelf

(price book pg. D112)



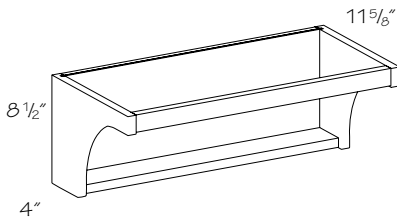
- UCS12**
- UCS15**
- UCS18**
- UCS21**
- UCS24**
- UCS27**
- UCS30**
- UCS33**
- UCS36**

- 3 7/8" shelf depth
- Solid wood/wood veneer construction
- **Not** available in Morristown; Melrose and Brockton are plain sawn wood

PE
APC
APFC
FPEB
GD
ID
MI
RD
XS

Under Cabinet Shelf Mission

(price book pg. D112)



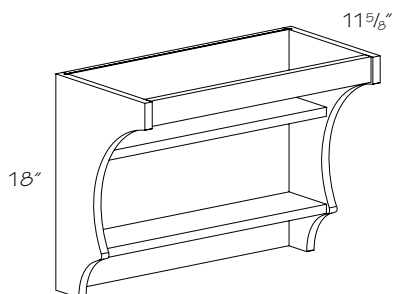
- UCS12 •M**
- UCS15 •M**
- UCS18 •M**
- UCS21 •M**
- UCS24 •M**
- UCS27 •M**
- UCS30 •M**
- UCS33 •M**
- UCS36 •M**

- 3 7/8" shelf depth
- Solid wood/wood veneer construction
- Quartersawn wood
- Available in quartersawn oak door styles only

PE
APC
APFC
FPEB
GD
ID
MI
RD
XS

Under Cabinet Shelf 18" H

(price book pg. D112)



- UCS1218**
- UCS1518**
- UCS1818**
- UCS2118**
- UCS2418**
- UCS2718**
- UCS3018**
- UCS3318**
- UCS3618**

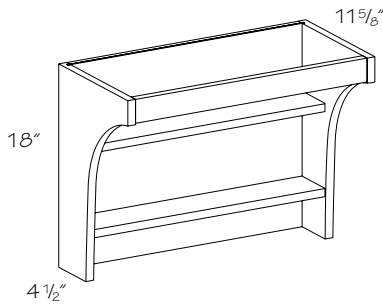
- 4 7/8" shelf depth
- Solid wood/wood veneer construction
- Laminates are painted hardwood
- **Not** available in Morristown; Melrose and Brockton are plain sawn wood

PE
APC
APFC
FPEB
GD
ID
MI
RD
XS

PE
APC
APFC
FPFB
GD
ID
MI
RD
XS

Under Cabinet Shelf Mission 18" H

(price book pg. D112)

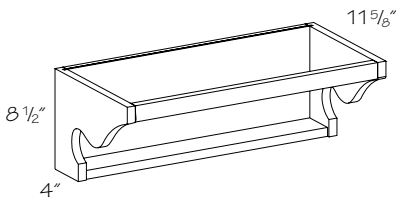


- UCS1218 •M
- UCS1518 •M
- UCS1818 •M
- UCS2118 •M
- UCS2418 •M
- UCS2718 •M
- UCS3018 •M
- UCS3318 •M
- UCS3618 •M

- 3 7/8" shelf depth
- Solid wood/wood veneer construction
- Quartersawn wood
- Available in quartersawn oak door styles only

Under Cabinet Shelf-Scalloped

(price book pg. D112)



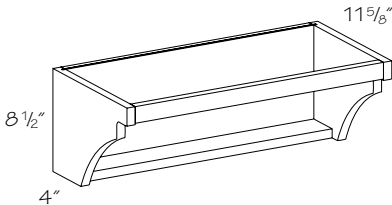
- UCS12 •S
- UCS15 •S
- UCS18 •S
- UCS21 •S
- UCS24 •S
- UCS27 •S
- UCS30 •S
- UCS33 •S
- UCS36 •S

- 2 7/8" shelf depth
- Solid wood/wood veneer construction
- Laminates are painted hardwood
- **Not** available in Morristown; Melrose and Brockton are plain sawn wood

PE
APC
APFC
FPFB
GD
ID
MI
RD
XS

Under Cabinet Shelf-Victorian

(price book pg. D112)



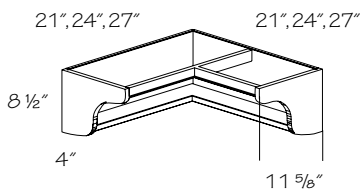
- UCS12 •V
- UCS15 •V
- UCS18 •V
- UCS21 •V
- UCS24 •V
- UCS27 •V
- UCS30 •V
- UCS33 •V
- UCS36 •V

- 2 7/8" shelf depth
- Solid wood/wood veneer construction
- Laminates are painted hardwood
- **Not** available in Morristown; Melrose and Brockton are plain sawn wood

PE
APC
APFC
FPFB
GD
ID
MI
RD
XS

Under Cabinet Shelf Corner

(price book pg. D112)



- UCSC2121
- UCSC2424
- UCSC2727

- 3 7/8" shelf depth
- Solid wood/wood veneer construction
- For use under 21", 24" and 27" wall corner cabinets
- **Not** available in Morristown; Melrose and Brockton are plain sawn wood

PE
APC
APFC
FPFB
GD
ID
MI
RD
XS

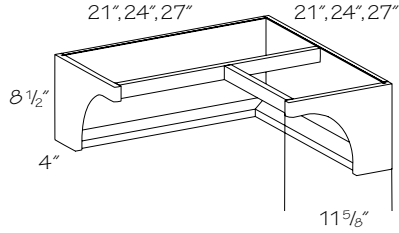
Under Cabinet Shelf Corner Mission

(price book pg. D112)

UCSC2121 •M

UCSC2424 •M

UCSC2727 •M



- Solid wood/wood veneer construction
- For use under 21", 24" and 27" wall corner cabinets
- Quartersawn wood
- Available in quartersawn oak door styles only

PE
APC
APFC
FPEB
GD
ID
MI
RD
XS

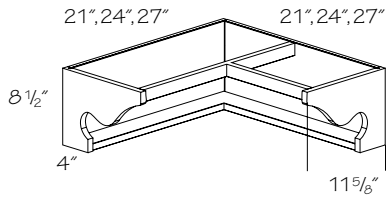
Under Cabinet Shelf Corner-Scalloped

(price book pg. D112)

UCSC2121 •S

UCSC2424 •S

UCSC2727 •S



- 2 7/8" shelf depth
- Solid wood/wood veneer construction
- For use under 21", 24" and 27" wall corner cabinets
- Laminates are painted hardwood
- **Not** available in Morristown; Melrose and Brockton are plain sawn wood

PE
APC
APFC
FPEB
GD
ID
MI
RD
XS

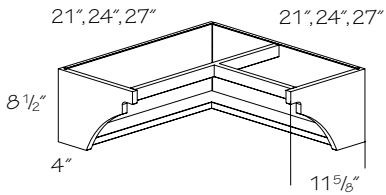
Under Cabinet Shelf Corner-Victorian

(price book pg. D112)

UCSC2121 •V

UCSC2424 •V

UCSC2727 •V



- 2 7/8" shelf depth
- Solid wood/wood veneer construction
- For use under 21", 24" and 27" wall corner cabinets
- Laminates are painted hardwood
- **Not** available in Morristown; Melrose and Brockton are plain sawn wood

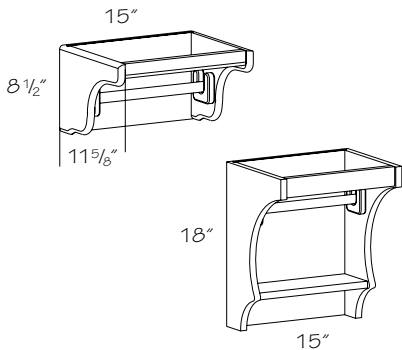
PE
APC
APFC
FPEB
GD
ID
MI
RD
XS

Paper Towel Holder

(price book pg. D112)

PTH15

PTH1518



- Solid wood/wood veneer construction
- 4 7/8" shelf depth
- Laminates are painted hardwood
- **Not** available in Morristown; Melrose and Brockton are plain sawn wood

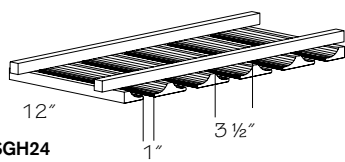
PE
APC
APFC
FPEB
GD
ID
MI
RD
XS



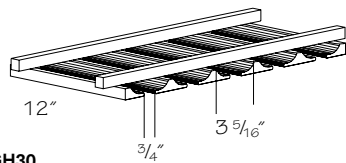
- PE
- APC
- APFC
- FPEB
- GD
- ID
- MI
- RD
- XS

Stem Glass Holder

(price book pg. D112)



SGH24
SGH36



SGH30

SGH24 5 Sections

SGH30 7 Sections

SGH36 8 Sections

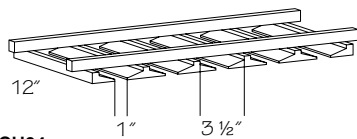
- Solid wood
- Mounts to bottom of wall cabinet
- Can be cut to fit smaller cabinets
- Oak supplied for Hickory
- Laminates are painted hardwood
- **Not** available in Morristown; Melrose and Brockton are plain sawn wood



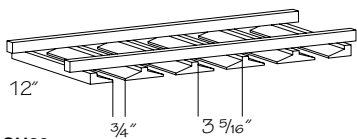
- PE
- APC
- APFC
- FPEB
- GD
- ID
- MI
- RD
- XS

Stem Glass Holder Mission

(price book pg. D112)



SGH24
SGH36



SGH30

SGH24 -M 5 Sections

SGH30 -M 7 Sections

SGH36 -M 8 Sections

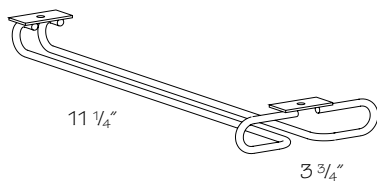
- Standard oak
- Mounts to bottom of wall cabinet
- Can be cut to fit smaller cabinets
- Available in quartersawn oak door styles only



- PE
- APC
- APFC
- FPEB
- GD
- ID
- MI
- RD
- XS

Wire Stem Glass Holder

(price book pg. D112)



WSGH -PB Polished Brass

WSGH -SC Satin Chrome

WSGH -W White

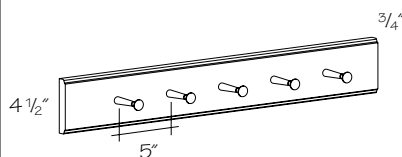
- Mounting screws included
- Mounts to floor of cabinet above



- PE
- APC
- APFC
- FPEB
- GD
- ID
- MI
- RD
- XS

Cup Holder

(price book pg. D112)



CH18 3 Pegs

CH24 4 Pegs

CH30 5 Pegs

CH36 6 Pegs

CH42 8 Pegs

CH48 9 Pegs

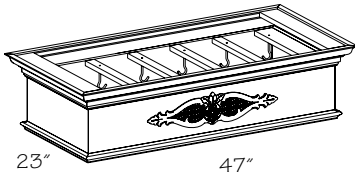
- Solid wood backplate to match door style and stain
- Birch pegs stained to match
- **Not** available in Morristown; Melrose and Brockton are plain sawn wood

Casual Pot Rack

(price book pg. D112, L1)

CAPR4723

- Solid wood
- Classic crown and cove light rail molding
- Twelve hooks included, suspension hardware **not** included
- Applied casual ornament
- Available in Maple door styles only
- **Note:** Must be securely anchored to ceiling



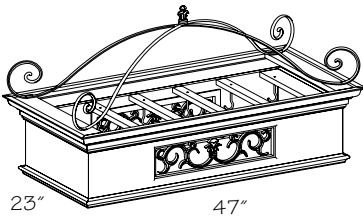
PE
APC
APFC
FPEB
GD
ID
MI
RD
XS

Classic Pot Rack

(price book pg. D113, L1)

CLPR4723

- Solid wood
- Classic crown and cove light rail molding
- Black resin insert
- Steel top ornament with blackened pewter finish-shipped separately
- Suspension hardware **not** included
- Twelve hooks included, suspension hardware **not** included
- Available in Cherry door styles only
- **Note:** Must be securely anchored to ceiling



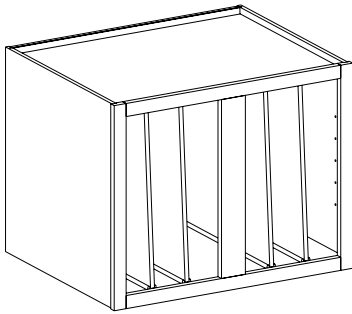
PE
APC
APFC
FPEB
GD
ID
MI
RD
XS

Tray Dividers-Wall

(price book pg. D113)

1TD

- 1/2" natural birch Viraguard
- Available factory installed for 24" deep wall refrigerator (WR) cabinets only
- Installed in wood or plastic U-channels
- Shelves are eliminated when this option is selected
- Specify quantity and location
- Example: WR2724-3TD (spaced evenly)



PE
APC
APFC
FPEB
GD
ID
MI
RD
XS

Wine Shelf

(price book pg. D113)

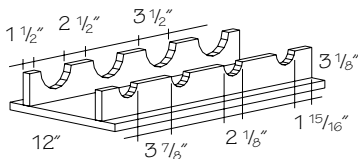
WS24 4

* WS30 5

* WS36 6

* Laminates are painted hardwood

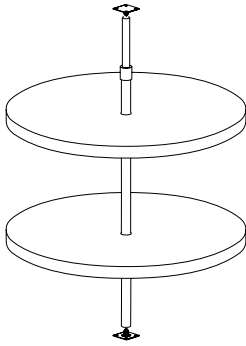
- Solid wood/wood veneer construction
- Edgebanded one long and two short edges
- May be trimmed in field
- **Not** available in Morristown; Melrose and Brockton are plain sawn wood



PE
APC
APFC
FPEB
GD
ID
MI
RD
XS

Lazy Susan Kit for Wall Angle Cabinets

(price book pg. D113)



Two shelves

LSK18 for 30" high

Three shelves

LSK1836 for 36" high

LSK1839 for 39" high

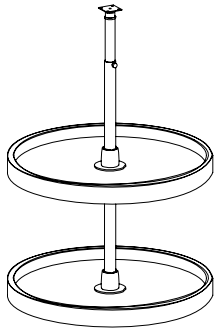
LSK1842 for 42" high

- 19 1/2" diameter rotating shelves
- Designed for installation in a WA24__ cabinet only
- Field installation only
- Vinyl laminated shelves with woodgrain T-molding

PE
APC
APFC
FPEB
GD
ID
MI
RD
XS

Wood Lazy Susan Kit for Wall Angle Cabinets

(price book pg. D113)



Two shelves

LSK18-WLS for 30" high

Three shelves

LSK1836-WLS for 36" high

LSK1839-WLS for 39" high

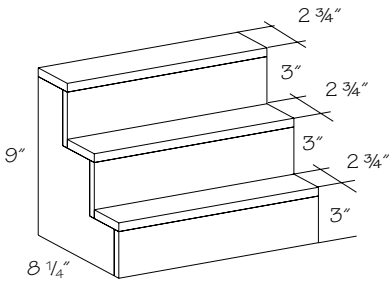
LSK1842-WLS for 42" high

- 19 1/2" diameter rotating shelves
- Designed for installation in a WA24__ cabinet only
- Rotating shelves have plywood floor and solid wood trim
- Shelves rotate independently
- Field installation only
- Includes mounting hardware

PE
APC
APFC
FPEB
GD
ID
MI
RD
XS

Tiered Storage Shelf

(price book pg. D113)



TSS15

TSS18

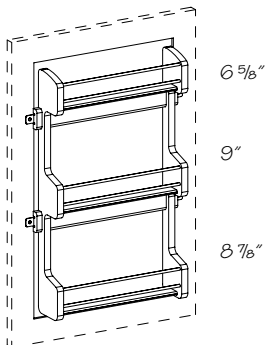
TSS21

- Solid wood
- Field installation only

PE
APC
APFC
FPEB
GD
ID
MI
RD
XS

Spice Rack Kit

(price book pg. D113)



SRK15 9 1/2" wide

SRK18 12 1/2" wide

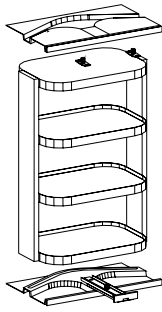
SRK21 15 1/2" wide

- Rack is 3 1/8" deep
- Three fixed shelves, 2 1/8" deep
- Includes mounting hardware
- Minimum cabinet height 30"
- Field installation only

PE
APC
APFC
FPEB
GD
ID
MI
RD
XS

Reverse-A-Shelf Kit

(price book pg. D113)



Three Shelves

Shelf clearance top to bottom

RSK2130

6 1/16" – 7 1/16" – 6 11/16"

RSK2136

8 1/8" – 9 1/16" – 8 11/16"

Four Shelves

RSK2142

7 3/16" – 8" – 8" – 7 5/8"

- Designed for installation in 21" wide wall cabinets
- Shelf assembly pivots 180° for full shelf access
- Vinyl laminated shelves with woodgrain T-molding
- Includes mounting hardware
- Field installation only



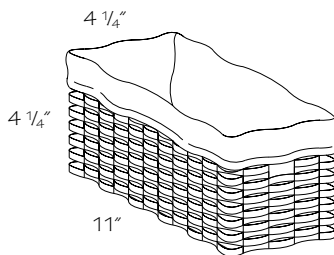
PE
APC
APFC
FPEB
GD
ID
MI
RD
XS

Replacement Wicker Baskets–Wall

(price book pg. D113)

WSDCK

- Wicker baskets are in natural finish and are shipped with a removable, washable liner of unbleached cotton canvas
- Includes one basket and one liner
- Handmade basket measurements are approximate but will always fit into their corresponding cabinet



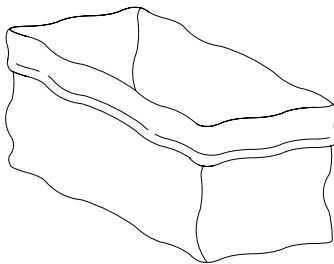
PE
APC
APFC
FPEB
GD
ID
MI
RD
XS

Replacement Wicker Basket Liners–Wall

(price book pg. D113)

WSDCL

- Washable liner of unbleached cotton canvas
- Fits WSDC and WVSDC
- Includes one liner



PE
APC
APFC
FPEB
GD
ID
MI
RD
XS

Under Cabinet Panels

(price book pg. D113)

PUCP1296

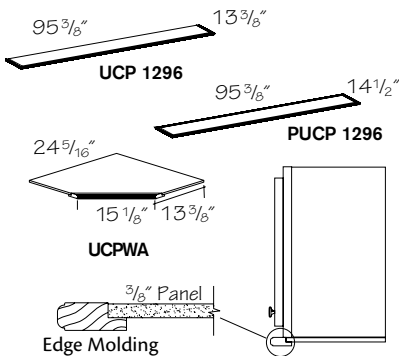
UCP1296

UCPWA

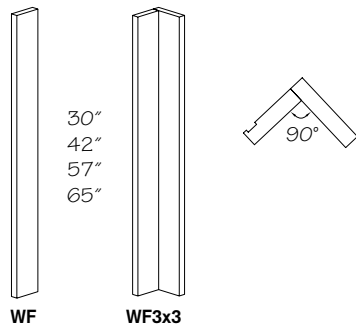
- 3/8" panel with matching Viraguard sides and applied solid wood edge molding
- Edge molding (CPE8) may be ordered separately; see Molding section of this book
- **Not** available in Morristown; Melrose and Brockton are plain sawn wood
- **Not** available in plywood



We recommend using Under Cabinet Panels (UCP) on all wall cabinet runs. This will give the kitchen an elegant finished look. Unless ordered with a matching wood veneer interior option, the under side of wall cabinets are a natural birch material.



PE
APC
APFC
FPEB
GD
ID
MI
RD
XS



Wall Filler

(price book pg. D113)

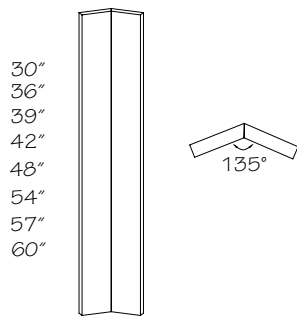
- WF3-30**
- WF6-30**
- WF3-42**
- WF6-42**
- WF3-57**
- WF6-57**
- WF3-60**
- WF6-60**
- WF3X3-30**
- WF3X3-42**

- 3/4" solid wood
- Laminates are painted hardwood
- Quartersawn door styles will be supplied in plain sawn wood
- Finished one side only



Remember to use fillers with full overlay door styles, especially square edge profiles, when cabinets will be against a return wall, box, pilaster or column. Use fillers on all overlays if there is case molding on a return wall. This will ensure proper clearance for drawers and roll-out tray access.

PE
APC
APFC
FPEB
GD
ID
MI
RD
XS



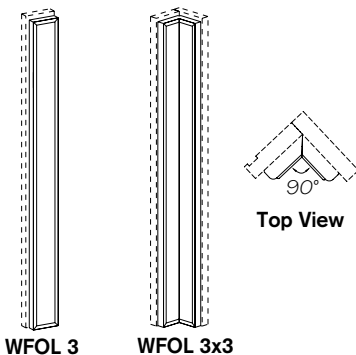
Wall Inside Corner Angle Filler

(price book pg. D113)

- ICAF30**
- ICAF36**
- ICAF39**
- ICAF42**
- ICAF48**
- ICAF54**
- ICAF57**
- ICAF60**

- 3/4" solid wood
- Quartersawn door styles will be supplied in plain sawn wood
- Finished one side only
- **Not** available in laminate door styles

PE
APC
APFC
FPEB
GD
ID
MI
RD
XS



Wall Filler Overlay

(price book pg. D113)

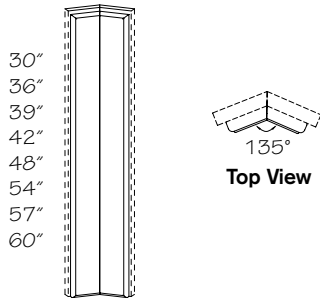
- | | |
|--------------------|-------------------|
| WFOL3-12 | WFOL3X3-30 |
| WFOL3-15 | WFOL3X3-36 |
| WFOL3-18 | WFOL3X3-39 |
| WFOL3-21 | WFOL3X3-42 |
| WFOL3-24 | WFOL6-12 |
| WFOL3-30 | WFOL6-15 |
| WFOL3-36 | WFOL6-18 |
| WFOL3-39 | WFOL6-21 |
| WFOL3-42 | WFOL6-24 |
| * WFOL3-48 | WFOL6-30 |
| * WFOL3-54 | WFOL6-36 |
| WFOL3-57 | WFOL6-39 |
| WFOL3-60 | WFOL6-42 |
| WFOL3-48-FH | * WFOL6-48 |
| WFOL6-48-FH | * WFOL6-54 |
| WFOL3-54-FH | WFOL6-57 |
| WFOL6-54-FH | WFOL6-60 |
- * Two pieces

- Available in full overlay door styles only
- Filler overlay has routed door profile and is solid wood or laminate
- Quartersawn oak door styles are 3/4" quartersawn solid wood with matching door profile on all sides. Quartersawn cherry and maple door styles are quartersawn wood veneer.
- Filler ordered separately

PE
APC
APFC
FPEB
GD
ID
MI
RD
XS

Wall Inside Corner Angle Filler Overlay

(price book pg. D114)



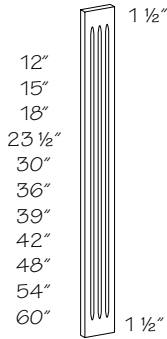
- ICAFOL30
- ICAFOL36
- ICAFOL39
- ICAFOL42
- ICAFOL48
- ICAFOL54
- ICAFOL57
- ICAFOL60

- Available in full overlay door styles only
- Filler overlay has routed door profile and is solid wood
- Quartersawn oak door styles are 3/4" quartersawn solid wood with matching door profile on all sides. Quartersawn cherry and maple door styles are quartersawn wood veneer.
- Filler ordered separately
- Shipped as two pieces
- **Not** available in laminate door styles

PE
APC
APFC
FPEB
GD
ID
MI
RD
XS

Wall Fluted Filler

(price book pg. D114)



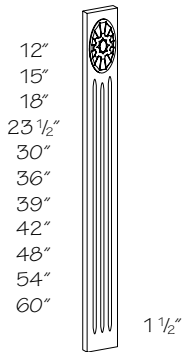
- | | |
|---------|---------|
| WFF3-12 | WFF3-39 |
| WFF6-12 | WFF6-39 |
| WFF3-15 | WFF3-42 |
| WFF6-15 | WFF6-42 |
| WFF3-18 | WFF3-48 |
| WFF6-18 | WFF6-48 |
| WFF3-24 | WFF3-54 |
| WFF6-24 | WFF6-54 |
| WFF3-30 | WFF3-60 |
| WFF6-30 | WFF6-60 |
| WFF3-36 | |
| WFF6-36 | |

- 3/4" solid wood
- Trimmable 5/8" each side
- Laminates are painted hardwood
- **Not** available in Morristown; Melrose and Brockton are plain sawn wood

PE
APC
APFC
FPEB
GD
ID
MI
RD
XS

Rosette Wall Fluted Filler

(price book pg. D114)



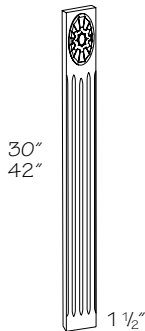
- RWFF3-12
- RWFF3-15
- RWFF3-18
- RWFF3-24
- RWFF3-30
- RWFF3-36
- RWFF3-39
- RWFF3-42
- RWFF3-48
- RWFF3-54
- RWFF3-60

- 3/4" solid wood
- Applied decorative rosette
- Laminates are painted hardwood
- **Not** available in Morristown; Melrose and Brockton are plain sawn wood

PE
APC
APFC
FPEB
GD
ID
MI
RD
XS

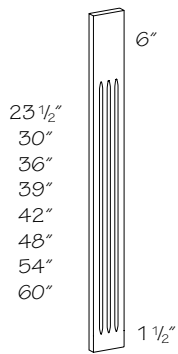
Rosette Fluted Wall Filler Overlay

(price book pg. D114)



- RFWFOL3-30
- RFWFOL3-42
- 3/4" solid wood
- Applied decorative rosette
- Laminates are painted hardwood
- **Not** available in Morristown; Melrose and Brockton are plain sawn wood

PE
APC
APFC
FPEB
GD
ID
MI
RD
XS



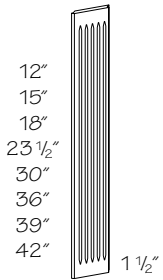
Plain Capital Wall Fluted Filler

(price book pg. D114)

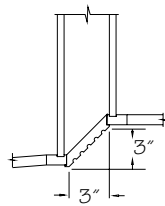
- | | |
|------------------|------------------|
| PCWFF3-24 | PCWFF3-54 |
| PCWFF6-24 | PCWFF6-54 |
| PCWFF3-30 | PCWFF3-60 |
| PCWFF6-30 | PCWFF6-60 |
| PCWFF3-36 | |
| PCWFF6-36 | |
| PCWFF3-39 | |
| PCWFF6-39 | |
| PCWFF3-42 | |
| PCWFF6-42 | |
| PCWFF3-48 | |
| PCWFF6-48 | |

- 3/4" solid wood
- Trimmable 5/8" each side
- Laminates are painted hardwood
- **Not** available in Morristown; Melrose and Brockton are plain sawn wood

PE
APC
APFC
FPEB
GD
ID
MI
RD
XS



Fluted Filler Extension



Filler Extension Application

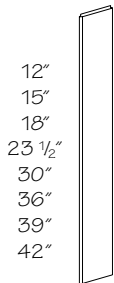
Fluted Filler Extension

(price book pg. D114)

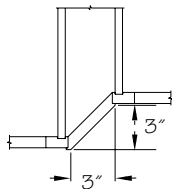
- | |
|----------------|
| FFE3-12 |
| FFE3-15 |
| FFE3-18 |
| FFE3-24 |
| FFE3-30 |
| FFE3-36 |
| FFE3-39 |
| FFE3-42 |

- 3/4" solid wood
- Laminates are painted hardwood
- **Not** available in Morristown; Melrose and Brockton are plain sawn wood

PE
APC
APFC
FPEB
GD
ID
MI
RD
XS



Filler Extension



Filler Extension Application

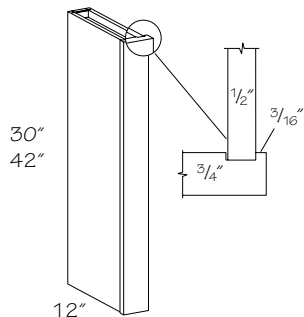
Filler Extension

(price book pg. D114)

- | |
|---------------|
| FE3-12 |
| FE3-15 |
| FE3-18 |
| FE3-24 |
| FE3-30 |
| FE3-36 |
| FE3-39 |
| FE3-42 |

- 3/4" solid wood
- Quartersawn door styles will be supplied in plain sawn wood
- Laminates are painted hardwood

PE
APC
APFC
FPEB
GD
ID
MI
RD
XS



Wall Box

(price book pg. D114)

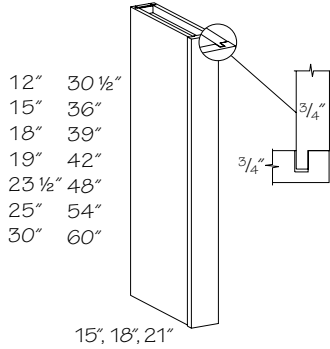
- | |
|------------------------|
| WB3-30 30" high |
| WB3-42 42" high |

- Finished front and both sides
- Reversible, may be used on either right or left end
- Quartersawn door styles will be supplied in plain sawn wood

● PE
● APC
● APFC
● FPEB
GD
● ID
MI
● RD
XS

Wall Column

(price book pg. D114)



- WC31512
- WC61512
- WC31515
- WC61515
- WC31518
- WC61518
- WC31819
- WC32119
- WC31524
- WC61524
- WC31825
- WC32125
- WC31530
- WC61530
- WC31831
- WC32131
- WC31536
- WC61536
- WC31539
- WC61539
- WC31542
- WC61542

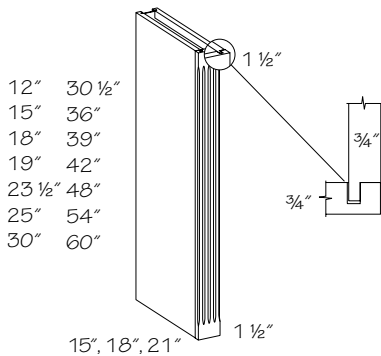
- WC31548
- WC61548
- WC31848
- WC32148
- WC31554
- WC61554
- WC31854
- WC32154
- WC31560
- WC61560
- WC31860
- WC32160

- Front is 3/4" solid wood
- Quartersawn oak door styles have 3/4" solid quartersawn wood front and quartersawn wood veneer end panels
- Quartersawn cherry and maple door styles have 3/4" solid plain sawn wood front and plain sawn wood veneer end panels
- Finished front and both sides
- Reversible, may be installed left or right
- ☆ APFC standard when APC option is selected

PE
● APC
☆ APFC
❖ FPEB
GD
● ID
● MI
● RD
XS

Wall Fluted Column

(price book pg. D115)



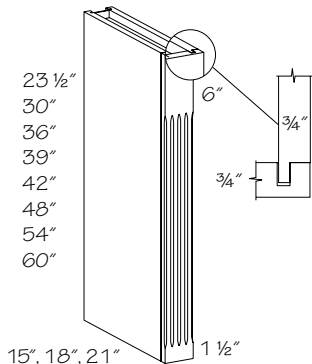
- WFC31512
- WFC31515
- WFC31518
- WFC31819
- WFC32119
- WFC31524
- WFC31825
- WFC32125
- WFC31530
- WFC31831
- WFC32131
- WFC31536
- WFC31539
- WFC31542
- WFC31548
- WFC31848
- WFC32148
- WFC31554
- WFC31854
- WFC32154
- WFC31560
- WFC31860
- WFC32160

- Finished front and both sides
- Fluted front is 3/4" solid wood; plain sawn wood supplied for quartersawn door styles
- Quartersawn oak door styles have quartersawn wood veneer end panels. Quartersawn cherry and maple door styles supplied in plain sawn wood.
- Reversible, may be used on either right or left end
- **Not** available in Morristown
- ☆ APFC standard when APC option is selected

PE
● APC
☆ APFC
❖ FPEB
GD
● ID
● MI
● RD
XS

Plain Capital Wall Fluted Column

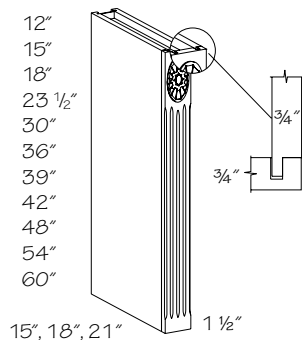
(price book pg. D115)



- PCWFC31524
- PCWFC31530
- PCWFC31536
- PCWFC31539
- PCWFC31542
- PCWFC31548
- PCWFC31848
- PCWFC32148
- PCWFC31554
- PCWFC31854
- PCWFC32154
- PCWFC31560
- PCWFC31860
- PCWFC32160

- Fluted front is 3/4" solid wood; plain sawn wood supplied for quartersawn door styles
- Finished front and both sides
- Quartersawn oak door styles have quartersawn wood veneer end panels. Quartersawn cherry and maple door styles supplied in plain sawn wood.
- Reversible, may be used on either right or left end
- **Not** available in Morristown
- ☆ APFC standard when APC option is selected

PE
● APC
☆ APFC
❖ FPEB
GD
● ID
● MI
● RD
XS



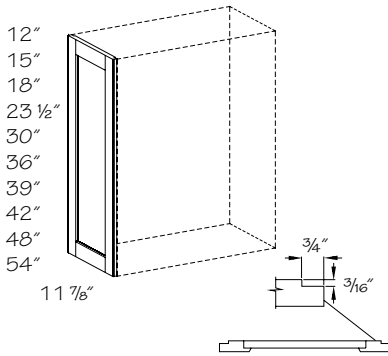
Rosette Wall Fluted Column

(price book pg. D115)

- | | |
|------------------|------------------|
| RWFC31512 | RWFC31554 |
| RWFC31515 | RWFC31854 |
| RWFC31518 | RWFC32154 |
| RWFC31524 | RWFC31560 |
| RWFC31530 | RWFC31860 |
| RWFC31536 | RWFC32160 |
| RWFC31539 | |
| RWFC31542 | |
| RWFC31548 | |
| RWFC31848 | |
| RWFC32148 | |

- Fluted front is 3/4" solid wood; plain sawn wood supplied for quartersawn door styles
- Finished front and both sides
- Quartersawn oak door styles have quartersawn wood veneer end panels. Quartersawn cherry and maple door styles supplied in plain sawn wood.
- Reversible, may be used on either right or left end
- Applied decorative rosette
- Laminates are painted hardwood
- **Not** available in Morristown; Brockton, Melrose and Putnam Oak supplied plain sawn
- ☆ APFC standard when APC option is selected

PE
● APC
☆ APFC
◇ FPFB
GD
● ID
● MI
● RD
XS



Universal Wall End Panel

(price book pg. D115)

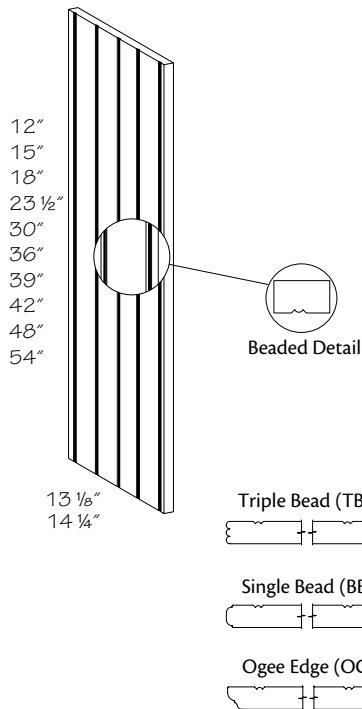
- | |
|---------------|
| UWEP12 |
| UWEP15 |
| UWEP18 |
| UWEP24 |
| UWEP30 |
| UWEP36 |
| UWEP39 |
| UWEP42 |
| UWEP48 |
| UWEP54 |

- 3/4" thick frame with square recessed panel
- Reversible, may be used on either right or left end
- Field installation only
- **Not** available in laminate door styles
- **Not** available in Morristown; Brockton, Melrose and Putnam Oak supplied plain sawn



When designing with Matching End Panels the reveal will differ from the cabinet door height reveal. Matching End Panels cover the entire side of the cabinet. See drawing for exact measurements.

PE
APC
APFC
FPFB
GD
ID
MI
RD
XS



Matching Wall End Panel Beaded

(price book pg. D115)

13 1/8" wide

- | |
|---------------------------|
| MWEPBE12 •SB•TB•OG |
| MWEPBE15 •SB•TB•OG |
| MWEPBE18 •SB•TB•OG |
| MWEPBE24 •SB•TB•OG |
| MWEPBE30 •SB•TB•OG |
| MWEPBE36 •SB•TB•OG |
| MWEPBE39 •SB•TB•OG |
| MWEPBE42 •SB•TB•OG |
| MWEPBE48 •SB•TB•OG |
| MWEPBE54 •SB•TB•OG |

14 1/4" wide Peninsula

- | |
|----------------------------|
| PMWEPBE12 •SB•TB•OG |
| PMWEPBE15 •SB•TB•OG |
| PMWEPBE18 •SB•TB•OG |
| PMWEPBE24 •SB•TB•OG |
| PMWEPBE30 •SB•TB•OG |
| PMWEPBE36 •SB•TB•OG |
| PMWEPBE39 •SB•TB•OG |
| PMWEPBE42 •SB•TB•OG |
| PMWEPBE48 •SB•TB•OG |

- 3/4" solid wood
- Grooves are 3" on center
- **Note:** Specify Single Bead, Triple Bead or Ogee Edge for front edge treatment
- Laminates are painted hardwood
- **Not** available in Morristown; Brockton, Melrose and Putnam Oak supplied plain sawn

PE
APC
APFC
FPFB
GD
ID
MI
RD
XS

Wall End Panel

(price book pg. D115)

Viraguard

- **WVEP30** 12" x 30" x 3/4"
- **WVEP42** 12" x 42" x 3/4"

Wood Veneer

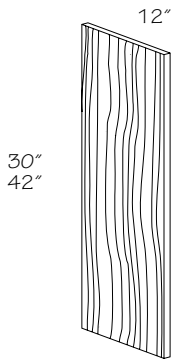
- ▲ **WVEP30** 12" x 30" x 7/8"
- ▲ **WVEP42** 12" x 42" x 7/8"

※ Laminates are painted hardwood

■ **Not** available in Morristown; Brockton, Melrose Putnam Oak supplied plain sawn

▲ Quartersawn cherry and maple door styles supplied plain sawn

- Edgebanded one long and two short edges
- Finished to match exterior both sides
- ☆ APC panel only available in wood veneer
- ☆ APC panel is 11/16" thick



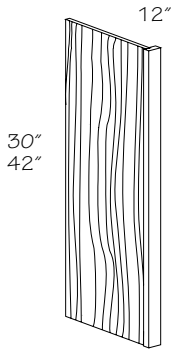
PE
☆ APC
APFC
FPEB
GD
ID
MI
RD
XS

Wall End Panel w/Stile

(price book pg. D115)

- WEP1 1/2-30** 30" high
- WEP3-30** 30" high
- WEP1 1/2-42** 42" high
- WEP3-42** 42" high

- Left shown
- Viraguard panels are edgebanded two short edges
- Exterior finished to match, interior is Natural Birch Viraguard
- Reversible, may be used on either right or left end



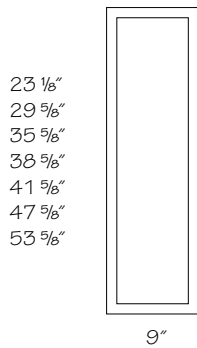
● PE
● APC
● APFC
● FPEB
GD
● ID
● MI
● RD
XS

Overlay Panel For Wall Blind Corner Cabinets

(price book pg. D115)

- OPWBC24**
- OPWBC30**
- OPWBC36**
- OPWBC39**
- OPWBC42**
- OPWBC48**
- OPWBC54**

- Available in full overlay door styles only
- Solid wood or laminate with door edge profile four sides
- Quartersawn oak door styles are 3/4" quartersawn wood with matching door profile on all sides. Quartersawn cherry and maple door styles are quartersawn wood veneer.
- Field miter



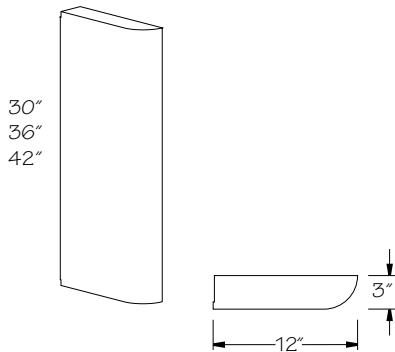
PE
APC
APFC
FPEB
GD
ID
MI
RD
XS

Wall Curved End Panel

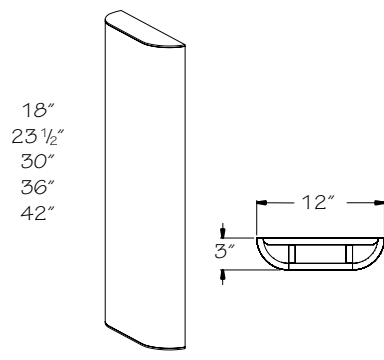
(price book pg. D116)

- WEP3-30 CEP**
- WEP3-36 CEP**
- WEP3-42 CEP**

- 5/8" wood veneer construction
- Reversible, may be used on either right or left end
- **Not** available in Morristown; Brockton, Melrose and Putnam Oak supplied plain sawn



PE
APC
APFC
FPEB
GD
ID
MI
RD
XS



Peninsula Wall Curved End Panel

(price book pg. D116)

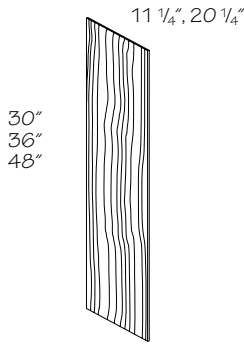
- PWEP3-18 CEP**
- PWEP3-24 CEP**
- PWEP3-30 CEP**
- PWEP3-36 CEP**
- PWEP3-42 CEP**

- 5/8" wood veneer construction
- Reversible, may be used on either right or left end
- **Not** available in Morristown; Brockton, Melrose and Putnam Oak supplied plain sawn

PE
APC
APFC
FPEB
GD
ID
MI
RD
XS

Wall Skin-Viraguard

(price book pg. D116, E81, F39, J2)



Exterior (matching) Viraguard One Side Code Width x Height x Thickness

- VSK1230** 11 1/4" x 30" x 1/8"
- VSK2136** 20 1/4" x 36" x 1/8"
- VSK1248** 11 1/4" x 48" x 1/8"

- Viraguard paneling is finished one side except as indicated
- Edges are unfinished with no edgebanding
- **Not** available in Morristown; Brockton, Melrose and Putnam Oak supplied plain sawn

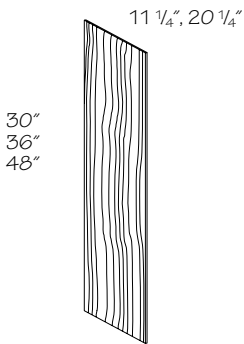


Remember that most flat panels will **not** take glaze finishes like doors and molding due to little or no hang-up. When choosing a glaze finish, consider using a matching end panel on exposed ends of cabinets.

PE
APC
APFC
FPEB
GD
ID
MI
RD
XS

Wall Skin-Wood Veneer

(price book pg. D116, E81, F40, J1)



- WSK1230** 11 1/4" x 30" x 3/16"
- WSK2136** 20 1/4" x 36" x 3/16"
- WSK1248** 11 1/4" x 48" x 3/16"

- Plywood construction
- Quartersawn oak door styles are quartersawn wood veneer
- Quartersawn Cherry and Maple door styles supplied plain sawn
- Finished one side only
- Edges are unfinished with no edgebanding

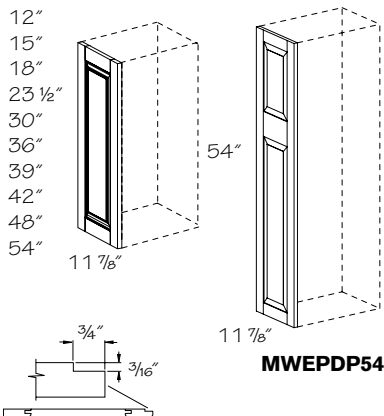


Remember to order "Furniture Ends" (FPEB) or a Wood Skin (WSK) for wall cabinets that will be at the end of a run when applying decorative moldings. This will result in a flush application on the return.

PE
APC
APFC
FPEB
GD
ID
MI
RD
XS

Matching Wall End Panel

(price book pg. D118)



Specify R or L

- MWEP12 R or L**
- MWEP15 R or L**
- MWEP18 R or L**
- MWEP24 R or L**
- MWEP30 R or L**
- MWEP36 R or L**
- MWEP39 R or L**
- MWEP42 R or L**
- ▲ **MWEP48 R or L**
- ▲ **MWEP54 R or L**

- Double Panel & Stack
- ▲▲ **MWEPDP54 R or L**

Peninsula

- PMWEP12**
- PMWEP15**
- PMWEP18**
- PMWEP24**
- PMWEP30**
- PMWEP36**
- PMWEP39**
- PMWEP42**

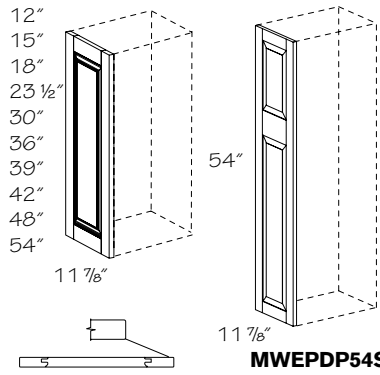
- ▲ Available in full overlay door styles only
- ◆ **Not** available in mitered door styles

- 3/4" thick
- Left shown
- Field installation only
- Laminate, mitered and slab door styles do **not** have grooves and will **not** fit flush against 1/2" end panel. A 3/16" shim is recommended
- Peninsula panel has routed door profile front and back
- **Not** available in Morristown



When designing with Matching End Panels the reveal will differ from the cabinet door height reveal. Matching End Panels cover the entire side of the cabinet. See drawing for exact measurements.

PE
APC
APFC
FPEB
GD
ID
MI
RD
XS



Will not fit flush against 1/2" end panel
a 3/16" shim is recommended

Matching Wall End Panel-Square Edges

(price book pg. D118)

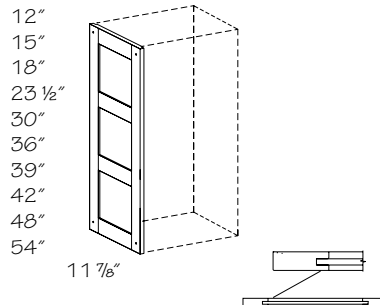
- MWEP12 S
- MWEP15 S
- MWEP18 S
- MWEP24 S
- MWEP30 S
- MWEP36 S
- MWEP39 S
- MWEP42 S
- ▲ MWEP48 S
- ▲ MWEP54 S

Double Panel & Stack

- ▲ MWEPDP54 S
- ▲ Available in full overlay door styles only

- 3/4" thick panel with square edge front and back
- Reversible, may be installed left or right
- Field installation only
- No frame recess dado
- **Not** available in laminate door styles
- **Not** available in mitered door styles
- **Not** available in Morristown

PE
APC
APFC
FPEB
GD
ID
MI
RD
XS



will not fit flush against 1/2" end panel
a 3/16" shim is recommended

Recessed Matching Wall End Panel

(price book pg. D120)

One panel

- RMWEP12 •M
- RMWEP15 •M

Two panels

- RMWEP18 •M

Three panels

- RMWEP24 •M
- RMWEP30 •M
- RMWEP36 •M
- RMWEP39 •M
- RMWEP42 •M

Four panels

- RMWEP48 •M
- RMWEP54 •M

Peninsula-One panel

- PRMWEP12 •M
- PRMWEP15 •M

Two panels

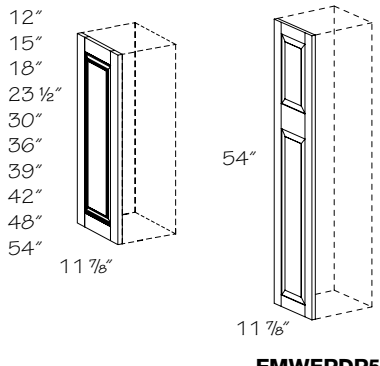
- PRMWEP18 •M
- PRMWEP24 •M

Three panels

- PRMWEP30 •M
- PRMWEP36 •M
- PRMWEP39 •M
- PRMWEP42 •M

- 3/4" thick
- Quartersawn solid wood
- Recessed panel grain runs horizontally
- Peninsula panel has routed door profile front and back
- Field installation only
- Reversible, may be installed left or right
- Available in Morristown door style only

PE
APC
APFC
FPEB
GD
ID
MI
RD
XS



FMWEPDP54

Furniture Matching Wall End Panel

(price book pg. D120)

Specify R or L

- FMWEP12 R or L
- FMWEP15 R or L
- FMWEP18 R or L
- FMWEP24 R or L
- FMWEP30 R or L
- FMWEP36 R or L
- FMWEP39 R or L
- FMWEP42 R or L

- ▲ FMWEP48 R or L
- ▲ FMWEP54 R or L

Double Panel & Stack

- ▲◆ FMWEPDP54 R or L

Peninsula

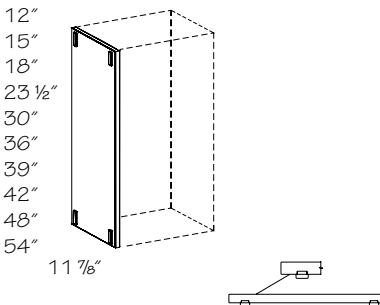
- FPMWEP12
- FPMWEP15
- FPMWEP18
- FPMWEP24
- FPMWEP30
- FPMWEP36
- FPMWEP39
- FPMWEP42

- ▲ Available in full overlay door styles only

- ◆ **Not** available in mitered door styles

- 3/4" thick
- Left shown
- Field installation only
- Peninsula panel has routed door profile front and back
- For use with Furniture Plywood Ends (FPEB)—flush ends
- **Not** available in Morristown

PE
APC
APFC
FPEB
GD
ID
MI
RD
XS



will not fit flush against 1/2" end panel
a 3/16" shim is recommended

Slab Matching Wall End Panel

(price book pg. D122)

- SMWEP12 •M
- SMWEP15 •M
- SMWEP18 •M
- SMWEP24 •M
- SMWEP30 •M
- SMWEP36 •M
- SMWEP39 •M
- SMWEP42 •M
- SMWEP48 •M
- SMWEP54 •M

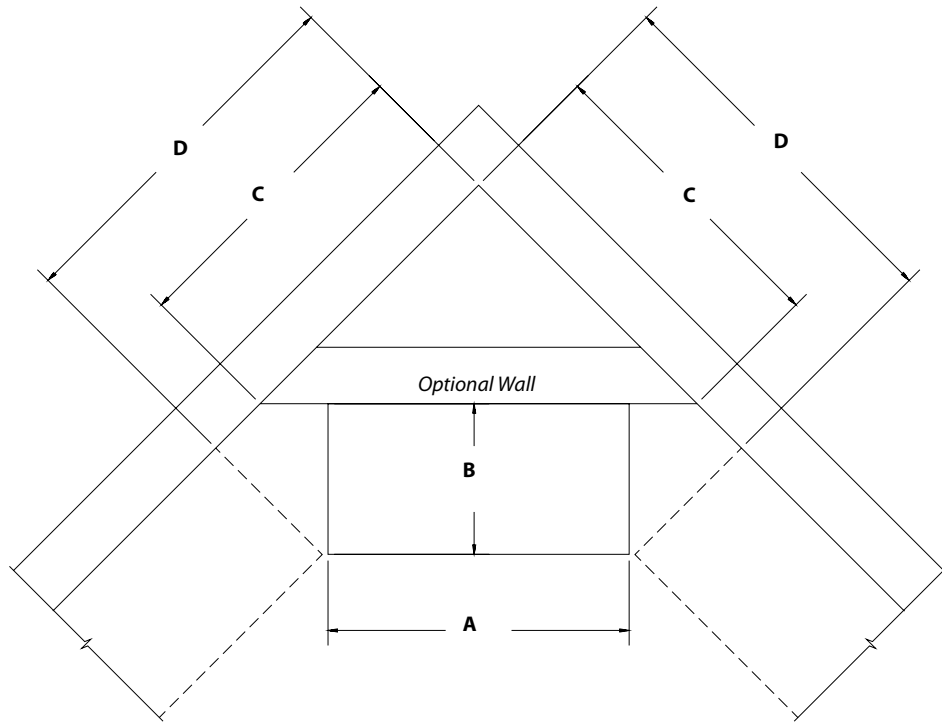
Peninsula

- PSMWEP12 •M
- PSMWEP15 •M
- PSMWEP18 •M
- PSMWEP24 •M
- PSMWEP30 •M
- PSMWEP36 •M
- PSMWEP39 •M
- PSMWEP42 •M

- 3/4" thick
- Quartersawn solid wood
- Reversible, may be installed left or right
- Field installation only
- Available in Morristown door style only

PE
APC
APFC
FPEB
GD
ID
MI
RD
XS

Diagonal Installation of Standard Wall Cabinets



Note: Fillers are always recommended at both sides of cabinet junction points to allow for wall variations and drawer clearances

Cabinet Width A	Cabinet Depth B	Wall Dimensions C	Wall Dimensions D
12"	12"	16 1/8"	21 7/8"
15"	12"	18 1/4"	23 1/4"
18"	12"	20 3/8"	25 3/8"
21"	12"	22 1/2"	27 1/2"
24"	12"	24 5/8"	29 5/8"
27"	12"	26 3/4"	31 3/4"
30"	12"	28 7/8"	33 7/8"
33"	12"	31"	36"
36"	12"	33 1/8"	38 1/8"
39"	12"	35 1/4"	40 1/4"
42"	12"	37 3/8"	42 3/8"
45"	12"	39 1/2"	44 1/2"
48"	12"	41 5/8"	46 5/8"