

Base Cabinets

Construction Options and Modifications

- --- Available with an upcharge
- ◆ --- Included as standard
- ☆ --- Available with exceptions
- (Blank) - Not available



Look for the Harmony® storage solutions symbol

Note: Standard base cabinet box depth is 24" unless stated otherwise. Add door thickness with bumpers for total depth.

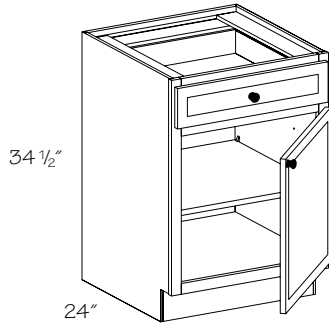
When BUTT is in all capitals, it must be included as part of your ordering nomenclature. A (Butt) in parentheses is for your information and isn't required on an order form.

Material dimensions may be nominal based on lumber industry standards

Specifications subject to change without notice.

- PE --- Plywood Ends
- APC --- All Plywood Construction
- APFC --- All Plywood Furniture Construction
- DE --- Integrated Decorative End
- FPEB --- Furniture Plywood Ends
- GD --- Glass Doors
- IF --- Inverted Frame
- MI --- Matching Interior
- RD --- Reduced Depth
- RTK --- Recessed Toe Kick
- RTKP --- Recessed Toe Kick Peninsula
- TWR --- Top Wide Rail
- VTK --- Void Toe Kick
- WR --- Wide Bottom Rail
- XS --- Extended Stile
- XSG --- Integrated Extended Stile

B	12	24	40	R	•FH
code	width	depth	height	door hinging	



Base Single Door

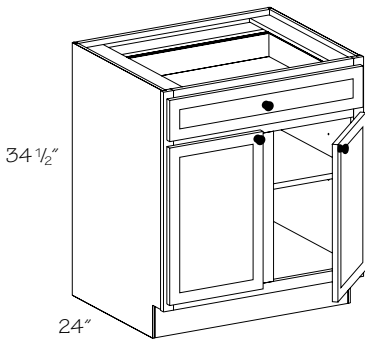
(price book pg. E2)

Specify R or L

- B12 R or L**
- B15 R or L**
- B18 R or L**
- B21 R or L**
- B24 R or L**

- One adjustable, full-depth shelf

- PE
- APC
- APFC
- DE
- FPEB
- GD
- IF
- MI
- RD
- RTK
- RTKP
- TWR
- VTK
- WR
- XS
- XSG



Base Double Door

(price book pg. E2)

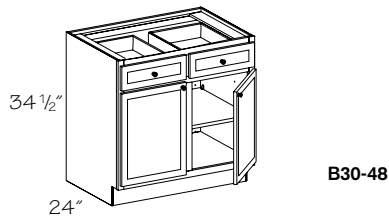
Specify R or L

- B24 BUTT**
- B27 (Butt)**
- ◆ **B30**
- B30 BUTT**
- ◆ **B33**
- B33 BUTT**
- ◆ **B36**
- B36 BUTT**
- B39**
- ◆ 3" center stile

- One adjustable, full-depth shelf

Color coding indicates new product, size or code

- PE
- APC
- APFC
- DE
- FPEB
- GD
- IF
- MI
- RD
- RTK
- RTKP
- TWR
- VTK
- WR
- XS
- XSG



Base Double Door Double Drawer

(price book pg. E2)

B30 -2D

B33 -2D

B36 -2D

B39 -2D

- 3" center stile
- Two drawers
- One adjustable, full-depth shelf

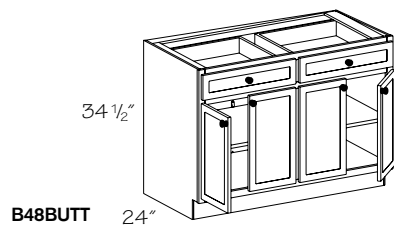
B42

B45

B48

B48 BUTT

Color coding indicates new product, size or code



- PE
- APC
- APFC
- DE
- FPEB
- GD
- IF
- MI
- RD
- RTK
- RTKP
- TWR
- VTK
- WR
- XS
- XSG

Base Single Door w/Full-Width Tray

(price book pg. E2)

Specify R or L

B12 R or L-FWT

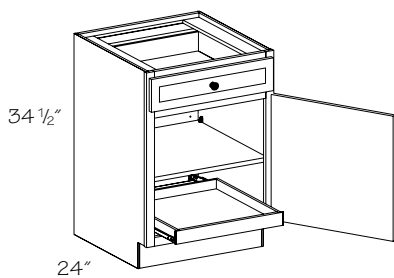
B15 R or L-FWT

B18 R or L-FWT

B21 R or L-FWT

B24 R or L-FWT

- One adjustable, full-width Roll-out Tray (ROT)
- One adjustable, full-depth shelf
- Roll-out Trays (ROT) cannot be included when a Reduced Depth (RD) option of less than 18" is selected



- PE
- APC
- APFC
- DE
- FPEB
- GD
- IF
- MI
- RD
- RTK
- RTKP
- TWR
- VTK
- WR
- XS
- XSG

Base Single Door w/Two Full-Width Trays

(price book pg. E4)

Specify R or L

B12 R or L-2FWT

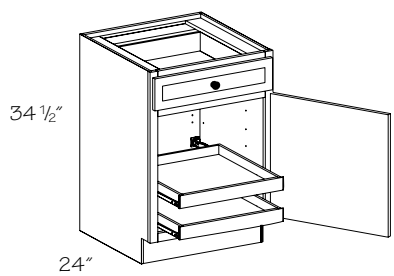
B15 R or L-2FWT

B18 R or L-2FWT

B21 R or L-2FWT

B24 R or L-2FWT

- Two adjustable, full-width Roll-out Trays (ROT)
- Roll-out Trays (ROT) cannot be included when a Reduced Depth (RD) option of less than 18" is selected



- PE
- APC
- APFC
- DE
- FPEB
- GD
- IF
- MI
- RD
- RTK
- RTKP
- TWR
- VTK
- WR
- XS
- XSG

Base Single Door w/Deluxe Dovetailed Full-Width Tray

(price book pg. E4)

B12 R or L-DXFWT

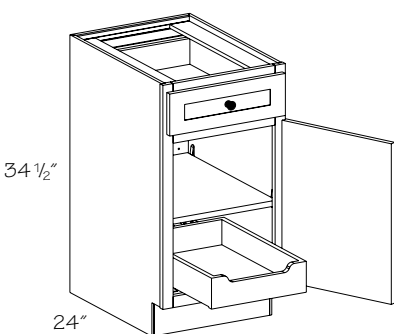
B15 R or L-DXFWT

B18 R or L-DXFWT

B21 R or L-DXFWT

B24 R or L-DXFWT

- One adjustable, full-width Roll-out Tray (ROT)
- One adjustable, full-depth shelf
- Roll-out Trays (ROT) are 4" deep, 3/4" solid wood dovetailed sides with 3/16" plywood bottom, notched front and full extension runners with integrated buffer
- ☆ Reduced Depth (RD) available in 18" and 21" depths only



- PE
- APC
- APFC
- DE
- FPEB
- GD
- IF
- MI
- ☆ RD
- RTK
- RTKP
- TWR
- VTK
- WR
- XS
- XSG

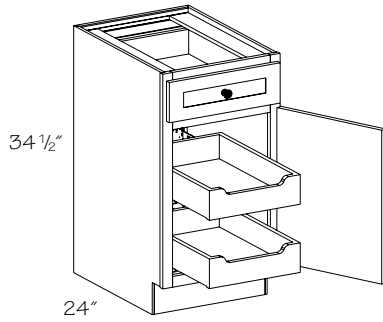
- PE
- APC
- APFC
- DE
- FPFB
- GD
- IF
- MI
- ☆ RD
- RTK
- RTKP
- TWR
- VTK
- WR
- XS
- XSG

Base Single Door w/Two Deluxe Dovetailed Full-Width Trays

(price book pg. E4)

- B12 R or L-2DXFWT**
- B15 R or L-2DXFWT**
- B18 R or L-2DXFWT**
- B21 R or L-2DXFWT**
- B24 R or L-2DXFWT**

- Two adjustable, full-width Roll-out Trays (ROT)
- Roll-out Trays (ROT) are 4" deep, 3/4" solid wood dovetailed sides with 3/16" plywood bottom, notched front and full extension runners with integrated buffer
- ☆ Reduced Depth (RD) available in 18" and 21" depths only



Base Double Door w/Full-Width Tray

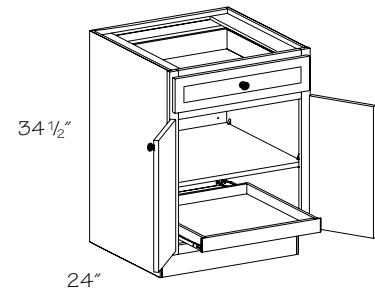
(price book pg. E4)

- B24 BUTT-FWT**
- B27 (Butt)-FWT**
- ▲ **B30 -FWT**
- B30 BUTT-FWT**
- ▲ **B33 -FWT**
- B33 BUTT-FWT**
- ▲ **B36 -FWT**
- B36 BUTT-FWT**

- One adjustable, full-width Roll-out Tray (ROT)
- One adjustable, full-depth shelf
- Roll-out Trays (ROT) cannot be included when a Reduced Depth (RD) option of less than 18" is selected

▲ Mullion strip attached to left door

Color coding indicates new product, size or code



- PE
- APC
- APFC
- DE
- FPFB
- GD
- IF
- MI
- RD
- RTK
- RTKP
- TWR
- VTK
- WR
- XS
- XSG

Base Double Door w/Two Full-Width Trays

(price book pg. E6)

- B24 BUTT-2FWT**
- B27 (Butt)-2FWT**
- ▲ **B30 -2FWT**
- B30 BUTT-2FWT**
- ▲ **B33 -2FWT**
- B33 BUTT-2FWT**
- ▲ **B36 -2FWT**
- B36 BUTT-2FWT**

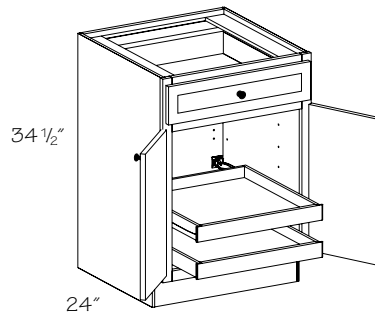
- Two adjustable, full-width Roll-out Trays (ROT)
- Roll-out Trays (ROT) cannot be included when a Reduced Depth (RD) option of less than 18" is selected



Remember, when designing a space for storing heavy items, avoid using 30-36" wide roll-out trays. These units are not designed for extremely heavy loads.

▲ Mullion strip attached to left door

Color coding indicates new product, size or code



- PE
- APC
- APFC
- DE
- FPFB
- GD
- IF
- MI
- RD
- RTK
- RTKP
- TWR
- VTK
- WR
- XS
- XSG

Base Double Door w/Deluxe Dovetailed Full-Width Tray

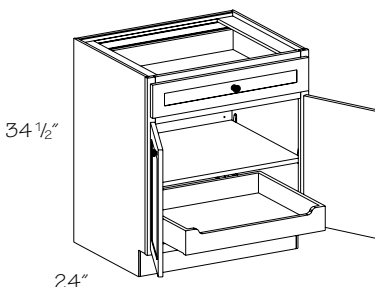
(price book pg. E6)

- B24 BUTT-DXFWT**
- B27 (Butt)-DXFWT**
- ▲ **B30 -DXFWT**
- B30 BUTT-DXFWT**
- ▲ **B33 -DXFWT**
- B33 BUTT-DXFWT**
- ▲ **B36 -DXFWT**
- B36 BUTT-DXFWT**

- One adjustable, full-width Roll-out Tray (ROT)
- One adjustable, full-depth shelf
- Roll-out Trays (ROT) are 4" deep, 3/4" solid wood dovetailed sides with 3/16" plywood bottom, notched front and full extension runners with integrated buffer
- ☆ Reduced Depth (RD) available in 18" and 21" depths only

▲ Mullion strip attached to left door

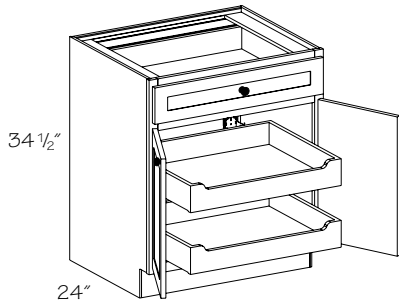
Color coding indicates new product, size or code



- PE
- APC
- APFC
- DE
- FPFB
- GD
- IF
- MI
- ☆ RD
- RTK
- RTKP
- TWR
- VTK
- WR
- XS
- XSG

Base Double Door w/Two Deluxe Dovetailed Full-Width Trays

(price book pg. E6)



B24 BUTT-2DXFWT

B27 (Butt)-2DXFWT

▲ **B30 -2DXFWT**

B30 BUTT-2DXFWT

▲ **B33 -2DXFWT**

B33 BUTT-2DXFWT

▲ **B36 -2DXFWT**

B36 BUTT-2DXFWT

▲ Mullion strip attached to left door

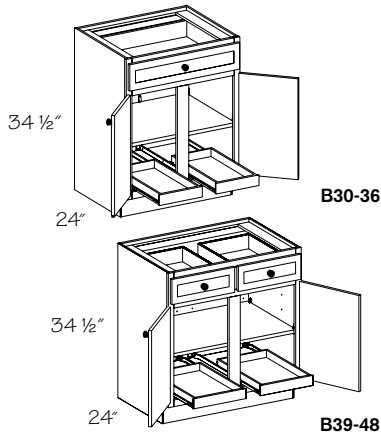
Color coding indicates new product, size or code

- Two adjustable, full-width Roll-out Trays (ROT)
- Roll-out Trays (ROT) are 4" deep, 3/4" solid wood dovetailed sides with 3/16" plywood bottom, notched front and full extension runners with integrated buffer
- ☆ Reduced Depth (RD) available in 18" and 21" depths only

● PE
● APC
● APFC
● DE
● FPEB
● GD
● IF
● MI
☆ RD
● RTK
● RTKP
● TWR
● VTK
● WR
● XS
● XSG

Base Double Door w/Two Trays

(price book pg. E6)



B30 -2T

B33 -2T

B36 -2T

B39 -2T

B42 -2T

B45 -2T

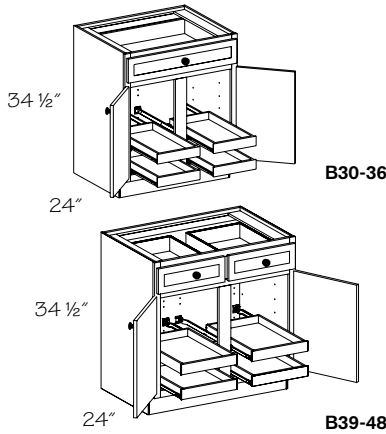
B48 -2T

- 3" center stile
- Two adjustable Roll-out Trays (ROT)
- One adjustable, full-depth shelf
- Roll-out Trays (ROT) cannot be included when a Reduced Depth (RD) option of less than 18" is selected

● PE
● APC
● APFC
● DE
● FPEB
● GD
● IF
● MI
● RD
● RTK
● RTKP
● TWR
● VTK
● WR
● XS
● XSG

Base Double Door w/Four Trays

(price book pg. E8)



B30 -4T

B33 -4T

B36 -4T

B39 -4T

B42 -4T

B45 -4T

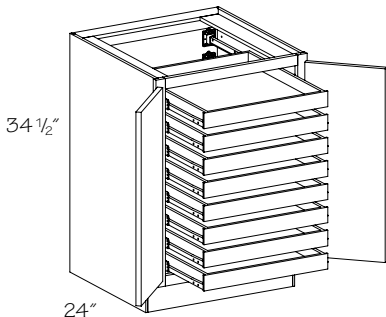
B48 -4T

- 3" center stile
- Four adjustable, standard Roll-out Trays (ROT)
- Roll-out Trays (ROT) cannot be included when a Reduced Depth (RD) option of less than 18" is selected

● PE
● APC
● APFC
● DE
● FPEB
● GD
● IF
● MI
● RD
● RTK
● RTKP
● TWR
● VTK
● WR
● XS
● XSG

Base Flat Storage

(price book pg. E8)



※ **BFS24 R or L**

BFS24 BUTT

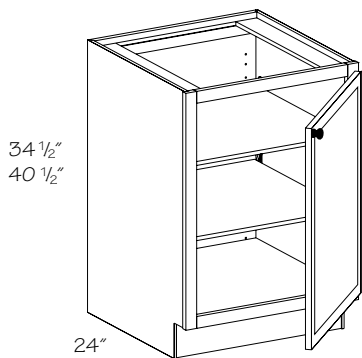
BFS27 (Butt)

BFS30 BUTT

※ Single door—specify right or left

- Eight Full-Width Trays (FWT)
- **Not** available with knife hinge door option
- ☆ Reduced Depth (RD) available in 18" and 21" depths only

● PE
● APC
● APFC
● DE
● FPEB
● GD
● IF
● MI
☆ RD
● RTK
● RTKP
● TWR
● VTK
● WR
● XS
● XSG



Base Full-Height Single Door

(price book pg. E8)

Specify R or L - two shelves

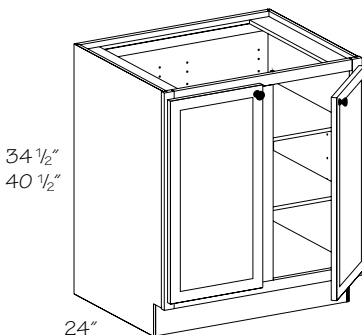
- B12 R or L-FH**
- B15 R or L-FH**
- B18 R or L-FH**
- B21 R or L-FH**
- B24 R or L-FH**

40 1/2" High - three shelves

- B122440 R or L-FH**
- B152440 R or L-FH**
- B182440 R or L-FH**
- B212440 R or L-FH**
- B242440 R or L-FH**

- Full-height door
- Full-depth, adjustable shelves

- PE
- APC
- APFC
- DE
- FPFB
- GD
- IF
- MI
- RD
- RTK
- RTKP
- TWR
- VTK
- WR
- XS
- XSG



Base Full-Height Double Door

(price book pg. E8)

34 1/2" High - two shelves

- B24 BUTT-FH**
- B27 (Butt)-FH**
- B30 -FH**
- B30 BUTT-FH**
- B33 -FH**
- B33 BUTT-FH**
- B36 -FH**
- B36 BUTT-FH**
- B39 -FH**
- B42 -FH**
- B45 -FH**
- B48 -FH**

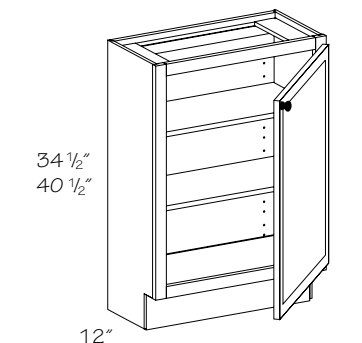
40 1/2" High - three shelves

- B242440 BUTT-FH**
- B272440 (Butt)-FH**
- B302440 -FH**
- B302440 BUTT-FH**
- B332440 -FH**
- B332440 BUTT-FH**
- B362440 -FH**
- B362440 BUTT-FH**

▲ Two pair of butt doors

- Full-height door
- Full-depth, adjustable shelves
- Only full-width Roll-out Trays (ROT) are available factory installed on 40 1/2" high base cabinets

- PE
- APC
- APFC
- DE
- FPFB
- GD
- IF
- MI
- RD
- RTK
- RTKP
- TWR
- VTK
- WR
- XS
- XSG



Base Full-Height Single Door 12" Deep

(price book pg. E10)

Specify R or L

34 1/2" High - two shelves

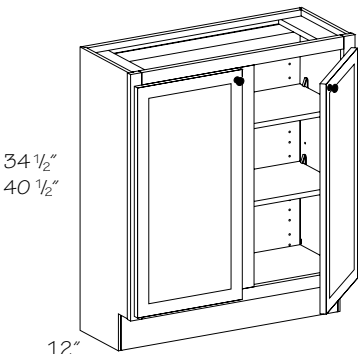
- B1212 R or L-FH**
- B1512 R or L-FH**
- B1812 R or L-FH**
- B2112 R or L-FH**
- B2412 R or L-FH**

40 1/2" High - three shelves

- B121240 R or L-FH**
- B151240 R or L-FH**
- B181240 R or L-FH**
- B211240 R or L-FH**
- B241240 R or L-FH**

- Full-height door
- Full-depth, adjustable shelves

- PE
- APC
- APFC
- DE
- FPFB
- GD
- IF
- MI
- RD
- RTK
- RTKP
- TWR
- VTK
- WR
- XS
- XSG



Base Full-Height Double Door 12" Deep

(price book pg. E10)

34 1/2" High - two shelves

- B2412 BUTT-FH**
- B2712 (Butt)-FH**
- B3012 -FH**
- B3012 BUTT-FH**
- B3312 -FH**
- B3312 BUTT-FH**
- B3612 -FH**
- B3612 BUTT-FH**
- B3912 -FH**
- B4212 -FH**
- B4512 -FH**
- B4812 -FH**

40 1/2" High - three shelves

- B241240 BUTT-FH**
- B271240 (Butt)-FH**
- B301240 -FH**
- B301240 BUTT-FH**
- B331240 -FH**
- B331240 BUTT-FH**
- B361240 -FH**
- B361240 BUTT-FH**

▲ Two pair of butt doors

- Full-height door
- Full-depth, adjustable shelves



Remember, a cabinet designated BUTT or (Butt) has no center stile.

When you see the word BUTT in all capitals, it must be included as part of your ordering nomenclature, a (Butt) in parentheses is for your information and isn't required on an order form.

- PE
- APC
- APFC
- DE
- FPFB
- GD
- IF
- MI
- RD
- RTK
- RTKP
- TWR
- VTK
- WR
- XS
- XSG

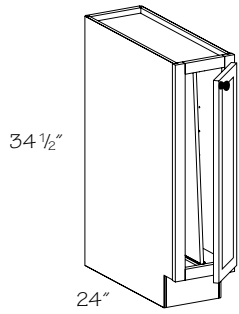
Base Single Door w/Tray Divider

(price book pg. E10)

Specify R or L

B9 R or L

- Full-height door
- One full-height tray divider
- Greenwich, Harlowe, Smithton and Vanderbilt doors will have a solid, recessed flat panel.
- ☆ Tray divider cannot be included when Reduced Depth (RD) option of less than 6" is selected
- ☆ RTKB **not** available
- ☆ RTKPB **not** available



●	PE
●	APC
●	APFC
●	DE
●	FPEB
	GD
	IF
●	MI
☆	RD
☆	RTK
☆	RTKP
	TWR
●	VTK
●	WR
●	XS
	XSG

Base Three Drawer

(price book pg. E10)

BD12 -3

BD15 -3

BD18 -3

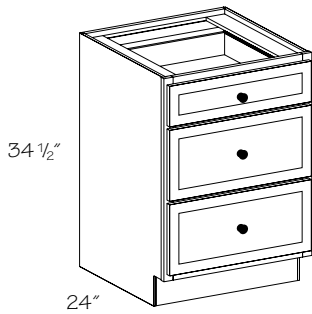
BD21 -3

BD24 -3

BD27 -3

BD30 -3

- One standard drawer
- Two deep drawers. 15"-24" wide will accept optional Bread Box



●	PE
●	APC
●	APFC
●	DE
●	FPEB
	GD
	IF
	MI
●	RD
●	RTK
●	RTKP
●	TWR
●	VTK
●	WR
●	XS
	XSG

Base Four Drawer

(price book pg. E12)

BD12

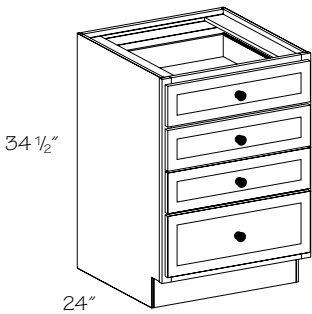
BD15

BD18

BD21

BD24

- Three standard drawers
- One deep bottom drawer. 15"-24" wide will accept optional Bread Box



●	PE
●	APC
●	APFC
●	DE
●	FPEB
	GD
	IF
	MI
●	RD
●	RTK
●	RTKP
●	TWR
●	VTK
●	WR
●	XS
	XSG

Bread Box Drawer

(price book pg. E12)

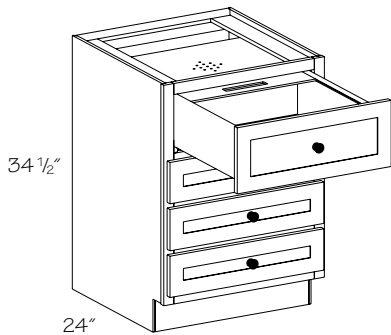
BBD15

BBD18

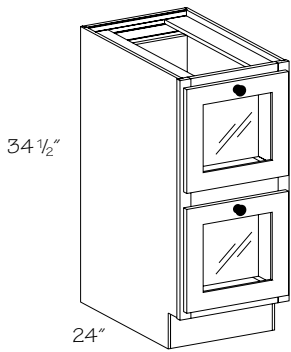
BBD21

BBD24

- Three standard drawers
- One deep top drawer with factory installed Sliding Bread Box Lid



●	PE
●	APC
●	APFC
●	DE
●	FPEB
	GD
	IF
	MI
	RD
●	RTK
●	RTKP
	TWR
●	VTK
●	WR
●	XS
	XSG



Glass Front (2) Drawer Cabinet

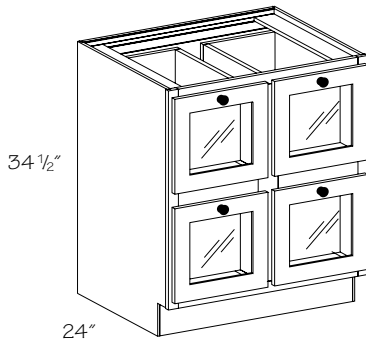
(price book pg. E12)

BGD15

BGD18

- Two deep drawers with 3" deep false front for dry goods display
- Tempered glass
- **Note:** Drawers have Natural Birch interior
- ☆ Minimum Reduced Depth (RD) is 12"

- PE
- APC
- APFC
- DE
- FPFB
- ◇ GD
- IF
- MI
- ☆ RD
- RTK
- RTKP
- TWR
- VTK
- WR
- XS
- XSG



Glass Front (4) Drawer Cabinet

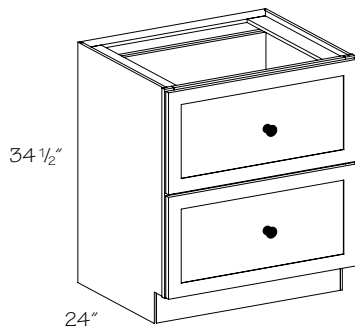
(price book pg. E12)

BGD30

BGD36

- Four deep drawers with 3" deep false front for dry goods display
- Tempered glass
- **Note:** Drawers have Natural Birch interior
- ☆ Minimum Reduced Depth (RD) is 12"

- PE
- APC
- APFC
- DE
- FPFB
- ◇ GD
- IF
- MI
- ☆ RD
- RTK
- RTKP
- TWR
- VTK
- WR
- XS
- XSG



Base Pots and Pans Storage Two Drawer

(price book pg. E12)

BPPS18 •2

BPPS24 •2

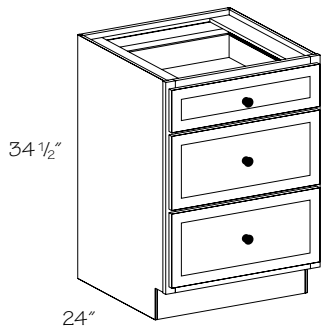
BPPS30 •2

BPPS36 •2

BPPS42 •2

- Two 11" deep plywood drawers
- Solid wood drawers **not** available
- Heavy Duty full extension runners
- ☆ Minimum Reduced Depth (RD) is 21"

- PE
- APC
- APFC
- DE
- FPFB
- GD
- IF
- MI
- ☆ RD
- RTK
- RTKP
- TWR
- VTK
- WR
- XS
- XSG



Base Pots and Pans Storage

(price book pg. E12)

※ **BPPS18**

※ **BPPS21**

※◇ **BPPS24**

◆ **BPPS27**

◆ **BPPS30**

◆ **BPPS33**

◆ **BPPS36**

※ Bread box available

◆ Prep for Warming Drawer option is available. See Construction Options section in this book.

- One standard drawer
- Two deep drawers

- PE
- APC
- APFC
- DE
- FPFB
- GD
- IF
- MI
- RD
- RTK
- RTKP
- TWR
- VTK
- WR
- XS
- XSG

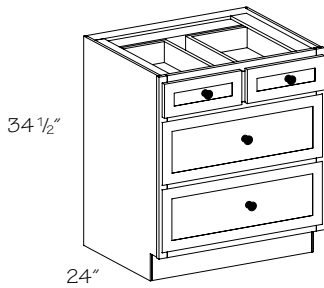
Base Pots and Pans Storage Four Drawer

(price book pg. E14)

BPPS30 -4

BPPS36 -4

- Two standard drawers
- Two deep drawers
- Prep for Warming Drawer option is available. See Construction Options section in this book.



● PE
● APC
● APFC
● DE
● FPEB
GD
IF
MI
● RD
● RTK
● RTKP
TWR
● VTK
● WR
● XS
XSG

Base Pots and Pans Storage-Clipped Corners

(price book pg. E14)

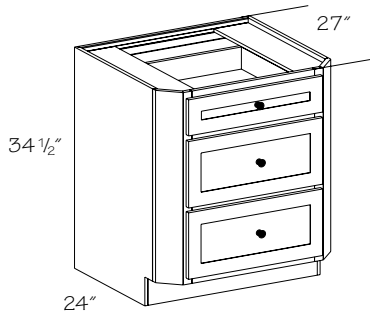
* **BPPSCC3027**

BPPSCC3327

BPPSCC3627

* Bread box available

- One standard drawer
- Two deep drawers
- Prep for Warming Drawer option is available. See Construction Options section in this book.
- Angled stiles extend 3" each side
- Nominal width is overall cabinet width. Example: BPPSCC3027 is 30" wide.
- Drawer boxes are the same as those for 24" deep cabinets



● PE
● APC
● APFC
DE
● FPEB
GD
IF
MI
RD
RTK
RTKP
● TWR
● VTK
WR
XS
XSG

Base Pots and Pans Storage-Fluted Clipped Corners

(price book pg. E14)

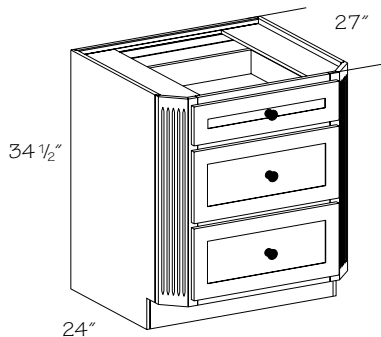
* **BPPSFCC3027**

BPPSFCC3327

BPPSFCC3627

* Bread box available

- One standard drawer
- Two deep drawers
- Prep for Warming Drawer option is available. See Construction Options section in this book.
- Angled stiles extend 3" each side
- Nominal width is overall cabinet width. Example: BPPSFCC3027 is 30" wide.
- Drawer boxes are the same as those for 24" deep cabinets
- **Not** available in Morristown; Melrose and Brockton are plain sawn wood



● PE
● APC
● APFC
DE
● FPEB
GD
IF
MI
RD
RTK
RTKP
● TWR
● VTK
WR
XS
XSG

Base Multi-Storage Drawer

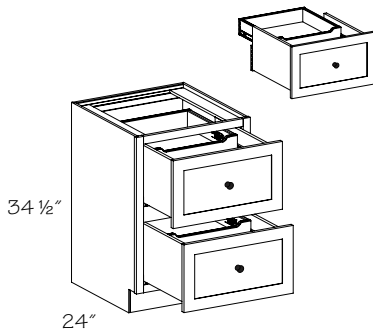
(price book pg. E14)

BMSD24 -2

BMSD30 -2

BMSD36 -2

- Two 11" deep plywood drawers
- Sliding drawers will have wide scoop to coincide with Deluxe Roll-out Tray
- Heavy Duty full extension runners
- Optional Stainless Cutlery Divider (SCDK) will fit into sliding drawer
- Optional Cutlery Divider (CD) can be trimmed and field installed into top drawer
- Plate Caddy (PTC) and Adjustable Drawer Dividers (ADD) will **not** fit into bottom portion of both drawers
- No factory installed accessories available
- Solid wood drawers **not** available



● PE
● APC
● APFC
● DE
● FPEB
GD
IF
MI
RD
● RTK
● RTKP
TWR
● VTK
● WR
● XS
XSG



- PE
- APC
- APFC
- DE
- FPEB
- GD
- IF
- MI
- ☆ RD
- RTK
- RTKP
- TWR
- VTK
- WR
- XS
- XSG

Base Deep Drawer Combination

(price book pg. E14)

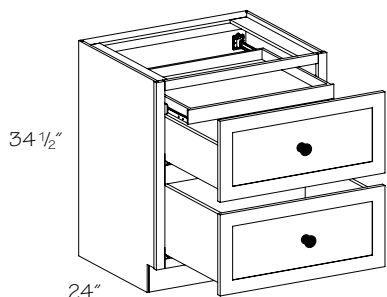
BDDC18 -2-TT

BDDC24 -2-TT

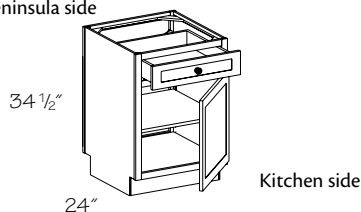
BDDC30 -2-TT

BDDC36 -2-TT

- One 7" deep plywood drawer
- One 11" deep plywood drawer
- One standard Roll-out Tray (ROT) above top drawer
- Heavy Duty full extension runners
- Solid wood drawers **not** available
- Adjustable Drawer Dividers (ADD) **not** available in top drawer
- ☆ Minimum Reduced Depth (RD) is 21"



Peninsula side



Peninsula Base Single Door

(price book pg. E16)

Specify R or L - hinging for kitchen side

※▲ **PB9 R or L**

PB12 R or L

PB15 R or L

PB18 R or L

PB21 R or L

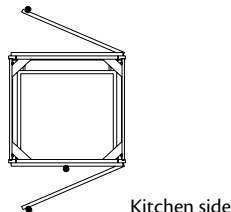
PB24 R or L

※ Full-height door

▲ Greenwich, Harlowe, Smithton and Vanderbilt doors will have a solid, recessed flat panel.

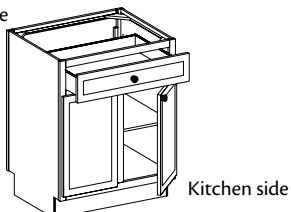
- One adjustable, full-depth shelf
- Both doors hinged on same end panel
- False drawer front on peninsula side

Peninsula side



- PE
- APC
- APFC
- DE
- FPEB
- GD
- IF
- MI
- RD
- RTK
- RTKP
- TWR
- VTK
- WR
- XS
- XSG

Peninsula side



Peninsula Base Double Door

(price book pg. E16)

One drawer

Two drawers

PB24 BUTT

PB30 -2D

PB27 (Butt)

PB33 -2D

PB30

PB36 -2D

PB30 BUTT

PB39 -2D

PB33

PB42

PB33 BUTT

PB45

PB36

PB48

PB36 BUTT

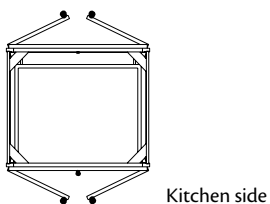
▲ **PB48 BUTT**

PB39

▲ Four pair of butt doors

- One adjustable, full-depth shelf
- False drawer front on peninsula side

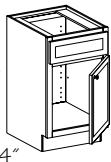
Peninsula side



Color coding indicates new product, size or code

- PE
- APC
- APFC
- DE
- FPEB
- GD
- IF
- MI
- RD
- RTK
- RTKP
- TWR
- VTK
- WR
- XS
- XSG

SB18-24



Sink Base

(price book pg. E16)

One Drawer Front

Two Drawer Fronts

◆ **SB42**

◆ **SB45**

◆ **SB21 R or L**

◆ **SB48**

◆ **SB24 R or L**

◆ **SB48 BUTT**

◆ **SB24 BUTT**

◆ Deluxe Dovetailed full-width Trays (DXFWT) **not** available

◆ **SB27 (Butt)**

◆ Deluxe Dovetailed full-width Trays (DXFWT) **not** available

◆ **SB30**

◆ Deluxe Dovetailed full-width Trays (DXFWT) **not** available

◆ **SB30 BUTT**

◆ Deluxe Dovetailed full-width Trays (DXFWT) **not** available

◆ **SB33**

◆ Deluxe Dovetailed full-width Trays (DXFWT) **not** available

◆ **SB33 BUTT**

◆ Deluxe Dovetailed full-width Trays (DXFWT) **not** available

◆ **SB36**

◆ Deluxe Dovetailed full-width Trays (DXFWT) **not** available

◆ **SB36 BUTT**

◆ Deluxe Dovetailed full-width Trays (DXFWT) **not** available

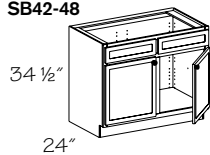
◆ **SB39**

◆ Deluxe Dovetailed full-width Trays (DXFWT) **not** available

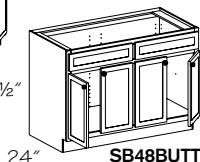
- No shelf
- Optional Door Storage Unit (SBDSU) is available
- Optional Utensil Tray Kits (UTK and SUTK) are available
- Includes a Touch-Up Kit (TUK) and a Cabinet Installation, Care and Cleaning Manual

- PE
- APC
- APFC
- DE
- FPEB
- GD
- IF
- MI
- RD
- RTK
- RTKP
- TWR
- VTK
- WR
- XS
- XSG

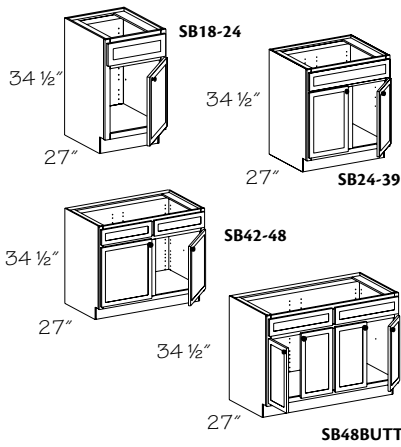
SB42-48



34 1/2"



24"



Sink Base 27" Deep

(price book pg. E18)

One Drawer Front

- SB1827 R or L**
- SB2127 R or L**
- SB2427 R or L**
- SB2427 BUTT**
- SB2727 (Butt)**
- SB3027**
- SB3027 BUTT**
- SB3327**
- SB3327 BUTT**
- SB3627**
- SB3627 BUTT**
- SB3927**

Two Drawer Fronts

- SB4227**
- SB4527**
- SB4827**
- SB4827 BUTT**

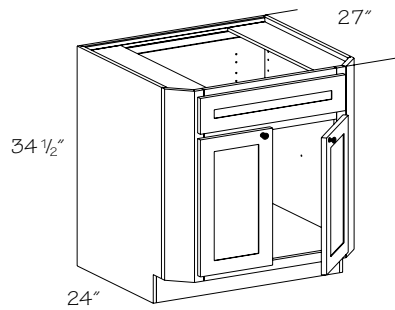
Color coding indicates new product, size or code

- No shelf
- Optional Door Storage Unit (SBDSU) is available
- Optional Utensil Tray Kits (UTK and SUTK) are available
- Includes a Touch-Up Kit (TUK) and a Cabinet Installation, Care and Cleaning Manual
- Roll-out Trays (ROT) **not** available



When you need an inverted frame for a sink base cabinet, consider using a regular base with a drawer instead of a sink base if plumbing allows. This way you get a working drawer at the bottom of your cabinet.

- PE
- APC
- APFC
- DE
- FPEB
- GD
- IF
- MI
- RD
- RTK
- RTKP
- TWR
- VTK
- WR
- XS
- XSG



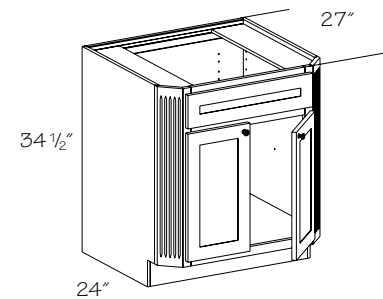
Sink Base-Clipped Corners

(price book pg. E18)

- SBCC3027 BUTT**
- SBCC3327 BUTT**
- SBCC3627 BUTT**
- SBCC4227 BUTT**

- No shelf
- Optional Door Storage Unit (SBDSU) is available
- Optional Utensil Tray Kits (UTK and SUTK) are available
- Angled stiles extend 3" each side
- Can be used as corner sink by butting up adjacent cabinets to the clipped corner area
- Nominal width is overall cabinet width. Example: SBCC3027BUTT is 30" wide.
- Includes a Touch-Up Kit (TUK) and a Cabinet Installation, Care and Cleaning Manual
- Factory installed Roll-out Trays (ROT) are **not** available

- PE
- APC
- APFC
- DE
- FPEB
- GD
- IF
- MI
- RD
- RTK
- RTKP
- TWR
- VTK
- WR
- XS
- XSG



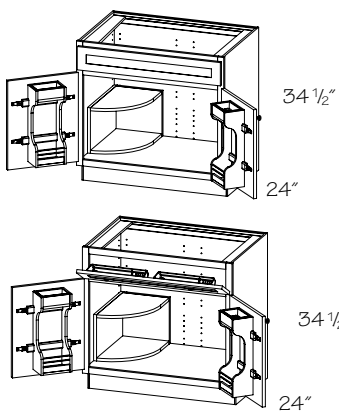
Sink Base-Fluted Clipped Corners

(price book pg. E18)

- SBFCC3027 BUTT**
- SBFCC3327 BUTT**
- SBFCC3627 BUTT**
- SBFCC4227 BUTT**

- No shelf
- Optional Door Storage Unit (SBDSU) is available
- Optional Utensil Tray Kits (UTK and SUTK) are available
- Angled stiles extend 3" each side
- Nominal width is overall cabinet width. Example: SBFCC3027BUTT is 30" wide.
- Includes a Touch-Up Kit (TUK) and a Cabinet Installation, Care and Cleaning Manual
- Factory installed Roll-out Trays (ROT) are **not** available
- **Not** available in Morristown; Melrose and Brockton are plain sawn wood

- PE
- APC
- APFC
- DE
- FPEB
- GD
- IF
- MI
- RD
- RTK
- RTKP
- TWR
- VTK
- WR
- XS
- XSG



Sink Base Multi-Storage Cabinet

(price book pg. E18)

- SBMS30 BUTT**
- SBMS33 BUTT**
- SBMS36 BUTT**
- ◆ **SBMS39**
- ◆ **SBMS42**

With Stainless Utensil Tray

- SBMS30 BUTT-SUT**
- SBMS33 BUTT-SUT**
- SBMS36 BUTT-SUT**

- ◆ **SBMS39 -SUT**
- ◆ **SBMS42 -SUT**
- ◆ 3" center stile

Color coding indicates new product, size or code

- No shelf
- Includes two Door Storage Units (SBDSU) and one Multi-Storage Shelf (SBMSSK)
- Includes a Touch-Up Kit (TUK) and a Cabinet Installation, Care and Cleaning Manual
- Sink Base Multi-Storage Shelf Kit (SBMSSK) shipped separately
- ☆ Sink Base Multi-Storage Shelf Kit (SBMSSK) is natural birch plywood and does **not** come matching

- PE
- APC
- APFC
- DE
- FPEB
- GD
- IF
- ☆ MI
- RD
- RTK
- RTKP
- TWR
- VTK
- WR
- XS
- XSG

Deep Sink Base

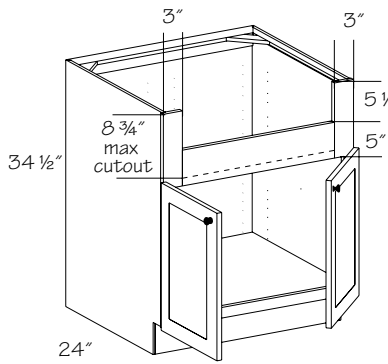
(price book pg. E20)

DSB30 BUTT

DSB36 BUTT

Color coding indicates new product, size or code

- 3" stiles are routed to 1 1/2" in the door area
- Includes a Touch-Up Kit (TUK) and a Cabinet Installation, Care and Cleaning Manual
- **Important Note:** Be sure to follow manufacturer's specifications to ensure proper sink fit



To avoid cutting the side walls of a sink base cabinet, make sure your sink base cabinet is at least 2 1/2" wider than the overall width of your sink. If your overall front-to-back sink depth is 22 1/2" or greater use a 27" deep sink base.

● PE
● APC
● APFC
DE
● FPEB
● GD
IF
● MI
● RD
● RTK
● RTKP
TWR
● VTK
● WR
● XS
XSG

Deep Sink Base 27" Deep

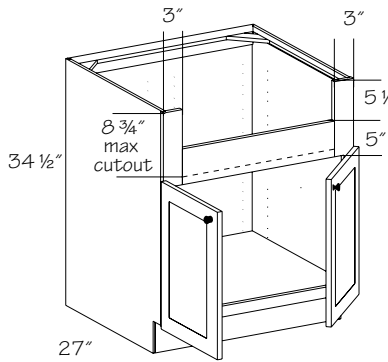
(price book pg. E20)

DSB3027 BUTT

DSB3627 BUTT

Color coding indicates new product, size or code

- 3" stiles are routed to 1 1/2" in the door area
- Includes a Touch-Up Kit (TUK) and a Cabinet Installation, Care and Cleaning Manual
- **Important Note:** Be sure to follow manufacturer's specifications to ensure proper sink fit
- Roll-out Trays (ROT) **not** available



● PE
● APC
● APFC
DE
● FPEB
● GD
IF
● MI
● RD
● RTK
RTKP
TWR
● VTK
● WR
● XS
XSG

Apron Sink Base

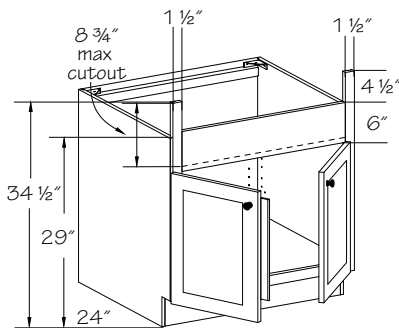
(price book pg. E20)

APSB30

APSB33

APSB36

- No shelf
- 1 1/2" stiles
- Maximum cutout height is 8 3/4"
- Mullion strip attached to left door
- Additional support rails are required—refer to sink manufacturer
- Includes a Touch-Up Kit (TUK) and a Cabinet Installation, Care and Cleaning Manual
- **Important Note:** Be sure to follow manufacturer's specifications to ensure proper sink fit



To avoid cutting the side walls of a sink base cabinet, make sure your sink base cabinet is at least 2 1/2" wider than the overall width of your sink. If your overall front-to-back sink depth is 22 1/2" or greater use a 27" deep sink base.

PE
● APC
APFC
DE
❖ FPEB
● GD
IF
● MI
● RD
RTK
RTKP
TWR
● VTK
● WR
● XS
XSG

Apron Sink Base 27" Deep

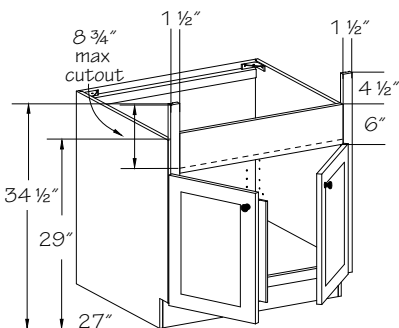
(price book pg. E20)

APSB3027

APSB3327

APSB3627

- No shelf
- 1 1/2" stiles
- Maximum cutout height is 8 3/4"
- Mullion strip attached to left door
- Additional support rails are required—refer to sink manufacturer
- Includes a Touch-Up Kit (TUK) and a Cabinet Installation, Care and Cleaning Manual
- **Important Note:** Be sure to follow manufacturer's specifications to ensure proper sink fit
- Roll-out Trays (ROT) **not** available

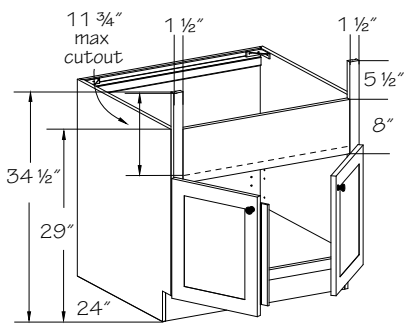


We recommend using a Filler Extension (FE) on 27" deep cabinets if adjacent cabinetry will not be pulled flush to the Sink Base Cabinetry

PE
● APC
APFC
DE
❖ FPEB
● GD
IF
● MI
● RD
RTK
RTKP
TWR
● VTK
● WR
● XS
XSG

Apron Sink Base Extended

(price book pg. E20)



APSB30

APSB33

APSB36

- No shelf
- 1 1/2" stiles
- Maximum cutout height is 11 3/4"
- Mullion strip attached to left door
- Additional support rails are required—refer to sink manufacturer
- Includes a Touch-Up Kit (TUK) and a Cabinet Installation, Care and Cleaning Manual
- **Important Note:** Be sure to follow manufacturer's specifications to ensure proper sink fit

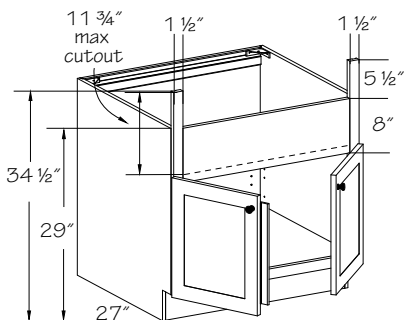


To avoid cutting the side walls of a sink base cabinet, make sure your sink base cabinet is at least 2 1/2" wider than the overall width of your sink. If your overall front-to-back sink depth is 22 1/2" or greater use a 27" deep sink base.

PE
● APC
● APFC
DE
◆ FPEB
● GD
IF
● MI
● RD
RTK
RTKP
TWR
● VTK
● WR
● XS
XSG

Apron Sink Base Extended 27" Deep

(price book pg. E20)



APSB3027

APSB3327

APSB3627

- No shelf
- 1 1/2" stiles
- Maximum cutout height is 11 3/4"
- Mullion strip attached to left door
- Additional support rails are required—refer to sink manufacturer
- **Important Note:** Be sure to follow manufacturer's specifications to ensure proper sink fit
- Includes a Touch-Up Kit (TUK) and a Cabinet Installation, Care and Cleaning Manual
- Roll-out Trays (ROT) **not** available

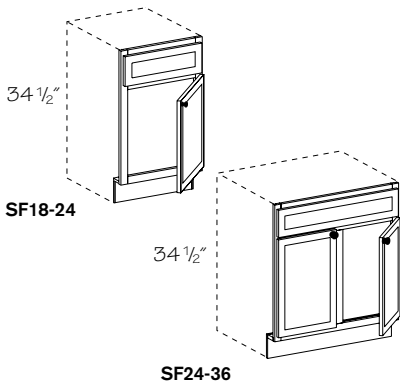


We recommend using a Filler Extension (FE) on 27" deep cabinets if adjacent cabinetry will not be pulled flush to the Sink Base Cabinetry

PE
● APC
● APFC
DE
◆ FPEB
● GD
IF
● MI
● RD
RTK
RTKP
TWR
● VTK
● WR
● XS
XSG

Sink Front

(price book pg. E22)



One Drawer Front

SF18 R or L

SF21 R or L

SF24 R or L

SF27 (Butt)

SF30

SF30 BUTT

SF33

SF33 BUTT

SF36

SF36 BUTT

SF39

Two Drawer Fronts

SF42

SF45

SF48

▲ SF48 BUTT

▲ Two pair of butt doors

Color coding indicates new product, size or code

- Includes floor, shipped loose
- Optional Utensil Tray Kits (UTK and SUTK) are available
- Unit is **not** trimmable
- Includes a Touch-Up Kit (TUK) and a Cabinet Installation, Care and Cleaning Manual

PE
● APC
● APFC
DE
FPEB
● GD
IF
MI
RD
RTK
RTKP
● TWR
VTK
● WR
● XS
XSG

Sink Base Angle

(price book pg. E22)

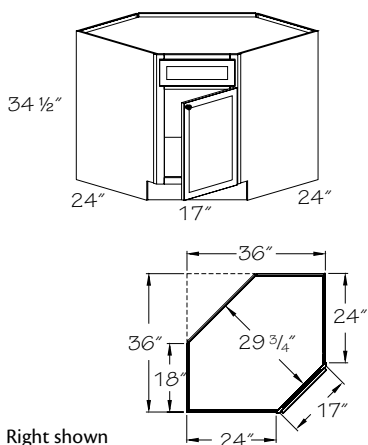
Specify R or L

SBA36 R or L

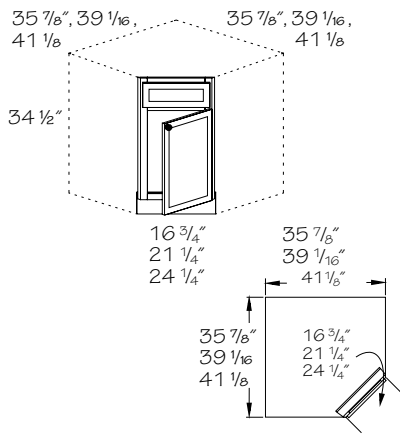
- No shelf
- Optional Utensil Tray Kits (UTK and SUTK) are available
- Includes a Touch-Up Kit (TUK) and a Cabinet Installation, Care and Cleaning Manual
- Back Options (BEB and VGRB) **not** available
- Contrasting Back Options (CBEB, CPLB, CVGR) **not** available
- **Note:** Will **not** accommodate double bowl sink



When using a corner sink in your design, it is recommended to install at least a 15" cabinet between the corner sink and dishwasher. This will allow a comfortable space to load and unload the unit.



● PE
● APC
● APFC
DE
● FPEB
● GD
IF
● MI
RD
● RTK
RTKP
● TWR
● VTK
● WR
● XS
XSG



Sink Front Angle

(price book pg. E22)

Specify R or L

SFA36 R or L

SFA39 R or L

▲ **SFA42 R or L**

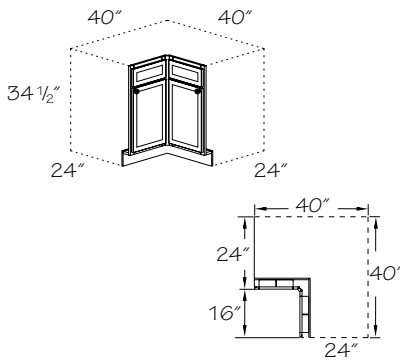
※ **SFA42 BUTT**

▲ Available in full overlay door styles only

※ **Not** available in full overlay door styles

- Includes 48" x 48" x 1/2" floor; floor shipped separately
- Optional Utensil Tray Kits (UTK and SUTK) are available
- Toe kick shipped unattached
- Includes a Touch-Up Kit (TUK) and a Cabinet Installation, Care and Cleaning Manual

PE
● APC
APFC
DE
FPEB
● GD
IF
MI
RD
RTK
RTKP
● TWR
● VTK
● WR
XS
XSG



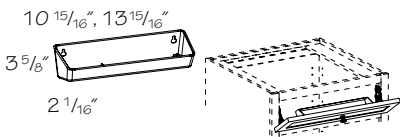
Sink Front Corner 90°

(price book pg. E22)

SFC40

- Floor shipped separately
- Optional Utensil Tray Kit (UTK) is available
- **Note:** Includes two 16" CFO's, 1-1 1/4" solid spacer and 48" x 48" x 1/2" floor
- Includes a Touch-Up Kit (TUK) and a Cabinet Installation, Care and Cleaning Manual

PE
● APC
APFC
DE
FPEB
● GD
IF
MI
RD
RTK
RTKP
● TWR
● VTK
● WR
● XS
XSG



Utensil Tray or Kit

(price book pg. E24)

Installed

UT

Kit

UTK18

UTK21

UTK24

UTK27

UTK30

UTK33

UTK36

UTK39

UTK42

UTK45

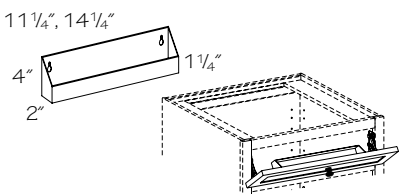
UTK48

- Almond or White, high-impact polystyrene tray
- Kit includes all mounting hardware
- Tilts down for convenient access to small cleaning items, etc.
- Example:
Factory Installed—SB24-UT
Field Installed Kit—UTK 24
- **Note:** When ordering for field installation, be sure to specify the cabinet width



Utensil tray kits (UTK) also work in vanity cabinets and are great for storing tooth brushes, tooth paste or dental floss.

PE
● APC
APFC
DE
FPEB
GD
IF
MI
RD
RTK
RTKP
● TWR
● VTK
● WR
XS
XSG



Stainless Utensil Tray or Kit

(price book pg. E24)

Installed

SUT

Kit

SUTK18

SUTK21

SUTK24

SUTK27

SUTK30

SUTK33

SUTK36

SUTK39

SUTK42

SUTK45

SUTK48

- Stainless steel tray
- Tilts down for convenient access to small cleaning items, etc.
- Kit includes all mounting hardware
- Example:
Factory Installed—SB18R-SUT
Field Installed Kit—SUTK 18
- **Note:** When ordering for field installation, be sure to specify the cabinet width

PE
● APC
APFC
DE
FPEB
GD
IF
MI
RD
RTK
RTKP
● TWR
● VTK
● WR
XS
XSG