

# Base Appliance Cabinets

## Construction Options and Modifications

When BUTT is in all capitals, it must be included as part of your ordering nomenclature. A (Butt) in parentheses is for your information and isn't required on an order form.

<b>BMC</b>	<b>24</b>	<b>24</b>	<b>46</b>
code	width	depth	height

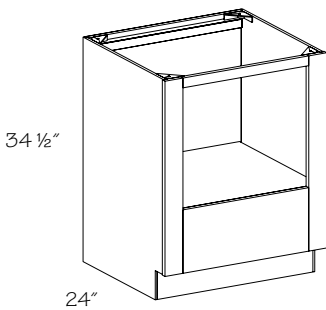
- PE --- Plywood Ends
- APC --- All Plywood Construction
- APFC --- All Plywood Furniture Construction
- DE --- Integrated Decorative End
- FPEB --- Furniture Plywood Ends
- GD --- Glass Doors
- IF --- Inverted Frame
- MI --- Matching Interior
- RD --- Reduced Depth
- RTK --- Recessed Toe Kick
- RTKP --- Recessed Toe Kick Peninsula
- TWR --- Top Wide Rail
- VTK --- Void Toe Kick
- WR --- Wide Bottom Rail
- XS --- Extended Stile

### Base Oven Cabinet Universal

(price book pg. E24)

- BOCU27**
- BOCU30**
- BOCU33**
- BOCU36**
- ※ **BOCU39**
- ※ 4 1/2" stiles

- Adjustable plywood floor
- 3" stiles
- For undercounter mounting of single ovens
- Contrasting Back Options (CBEB, CPLB, CVGR) **not** available



Cabinet Width	Min. Width	Max. Width	Min. Height	Max.* Height
27"	21"	25"	18 3/4"	28 1/2"
30"	24"	28"	18 3/4"	28 1/2"
33"	27"	31"	18 3/4"	28 1/2"
36"	30"	34"	18 3/4"	28 1/2"
39"	30"	37"	18 3/4"	28 1/2"

\*Includes removal of top rail

- PE
- APC
- APFC
- DE
- FPEB
- GD
- IF
- MI
- RD
- RTK
- RTKP
- TWR
- VTK
- WR
- XS

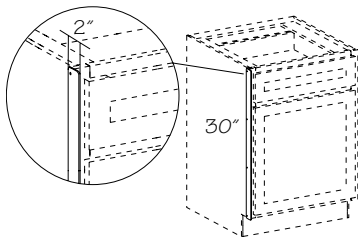
### Heat Shield

(price book pg. E24)

- HSD**
- 1/16" thick
- Two clear acrylic heat shields with installation screws
- Recommended to shield thermofoil and laminate style doors from adjacent oven heat
- Required for warranty on laminate door styles



Remember to order a Heat Shield(s) (HSD) when ordering thermofoil doors to apply to the base cabinet(s) adjacent to the oven.



- PE
- APC
- APFC
- DE
- FPEB
- GD
- IF
- MI
- RD
- RTK
- RTKP
- TWR
- VTK
- WR
- XS

### Range Base

(price book pg. E26)

One Drawer Front

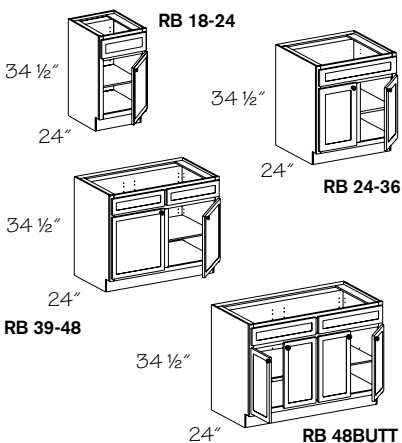
Two Drawer Fronts

- One adjustable, full-depth shelf

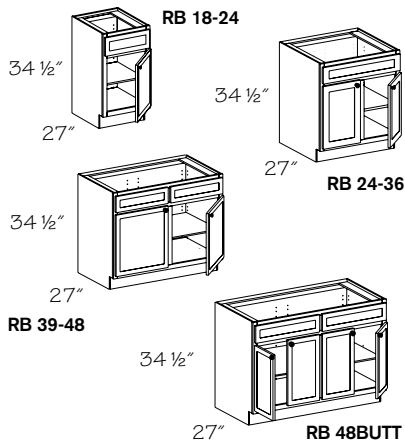
- RB18 R or L**
- RB21 R or L**
- RB24 R or L**
- RB24 BUTT**
- RB27 (Butt)**
- RB30**
- RB30 BUTT**
- RB33**
- RB33 BUTT**
- RB36**
- RB36 BUTT**
- ◆ **RB39**

- ◆ **RB42**
- ◆ **RB45**
- ◆ **RB48**
- ◆ **RB48 BUTT**
- ◆ Deluxe Dovetailed full-width Trays (DXFWT) **not** available

Color coding indicates new product, size or code



- PE
- APC
- APFC
- DE
- FPEB
- GD
- IF
- MI
- RD
- RTK
- RTKP
- TWR
- VTK
- WR
- XS



### Range Base 27" Deep

(price book pg. E26)

One Drawer Front

- RB1827 R or L**
- RB2127 R or L**
- RB2427 R or L**
- RB2427 BUTT**
- RB2727 (Butt)**
- RB3027**
- RB3027 BUTT**
- RB3327**
- RB3327 BUTT**
- RB3627**
- RB3627 BUTT**
- RB3927**

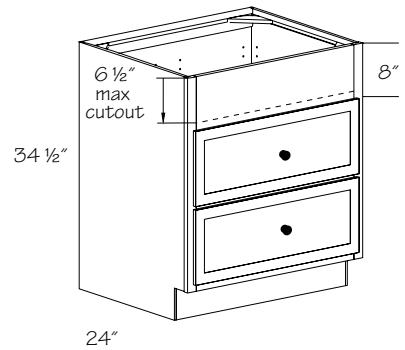
Two Drawer Fronts

- RB4227**
- RB4527**
- RB4827**
- RB4827 BUTT**

Color coding indicates new product, size or code

- One adjustable, full-depth shelf
- Roll-out Trays (ROT) **not** available

- PE
- APC
- APFC
- DE
- FPFB
- GD
- IF
- MI
- RD
- RTK
- RTKP
- TWR
- VTK
- WR
- XS



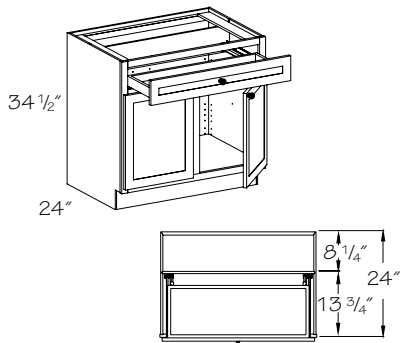
### Deep Range Base

(price book pg. E26)

- DRB30**
- DRB36**

- Maximum cutout height is 6 1/2"
- Accommodates cook tops, with or without front mounted controls
- Important **Note:** Be sure to follow manufacturer's specifications to ensure proper cooktop fit

- PE
- APC
- APFC
- DE
- FPFB
- GD
- IF
- MI
- RD
- RTK
- RTKP
- TWR
- VTK
- WR
- XS



### Down Draft Base

(price book pg. E28)

One Drawer Front

- DDB30**
- DDB30 BUTT**
- DDB33**
- DDB33 BUTT**
- DDB36**
- DDB36 BUTT**
- DDB39**

Two Drawer Fronts

- DDB42**
- DDB45**
- DDB48**

#### ▲ DDB48 BUTT

- ▲ Two pair of butt doors

Color coding indicates new product, size or code

- Factory installed Roll-out Trays (ROT) are **not** available
- Top drawer will have scooped drawer option (STDW), 2 1/4" high, 11 13/16" deep drawer box
- **Not** available with any installed drawer box accessories
- **Not** available with Full-Height Door (FHK) option

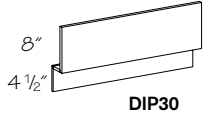
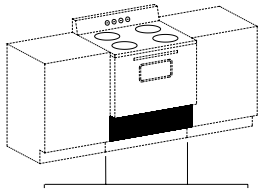
- PE
- APC
- APFC
- DE
- FPFB
- GD
- IF
- MI
- RD
- RTK
- RTKP
- TWR
- VTK
- WR
- XS

### Drop-in Range Panel

(price book pg. E28)

#### DIP30

- Matching front panel may be trimmed to fit drop-in range
- Toe kick included



●	PE
●	APC
●	APFC
●	DE
●	FPEB
●	GD
●	IF
●	MI
●	RD
●	RTK
●	RTKP
●	TWR
●	VTK
●	WR
●	XS

### Base Microwave Cabinet 34 1/2" H w/Deep Bottom Drawer

(price book pg. E28)

Opening: Width: 21"; Height: 16"

#### BMC242434

Opening: Width: 24"; Height: 16"

#### BMC272434

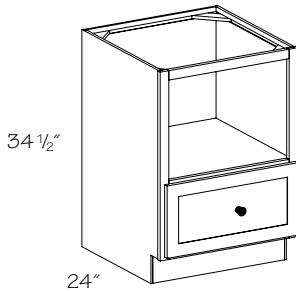
Opening: Width: 27"; Height: 16"

#### BMC302434

- Deep bottom drawer
- Designed for "counter" style microwaves



When ordering an unfinished cabinet that has standard Matching Interior (MIV), you must use MIP, MIFP or FPEB to get a wood veneer matching interior. If the cabinet is Wood Veneer standard, ordered as All Plywood (APC) or with Furniture Plywood Ends (FPEB, APFC), wood veneer matching interior will be standard.



●	PE
●	APC
●	APFC
●	DE
●	FPEB
●	GD
●	IF
❖	MI
●	RD
●	RTK
●	RTKP
●	TWR
●	VTK
●	WR
●	XS

### Base Microwave Cabinet 46 1/2" H

(price book pg. E28)

Opening: Width 21"; Height 16"

#### BMC242446

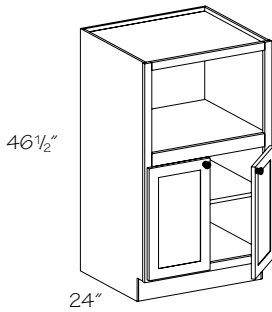
Opening: Width 24"; Height 16"

#### BMC272446

Opening: Width 27"; Height 16"

#### BMC302446

- One adjustable shelf
- Standard cabinet ceiling construction, finished top required
- Designed for "counter" style microwaves
- Use CMCK to reduce opening height to 13"



●	PE
●	APC
●	APFC
●	DE
●	FPEB
●	GD
●	IF
❖	MI
●	RD
●	RTK
●	RTKP
●	TWR
●	VTK
●	WR
●	XS

### Base Built-in Microwave Cabinet

(price book pg. E28)

#### BBMC242434

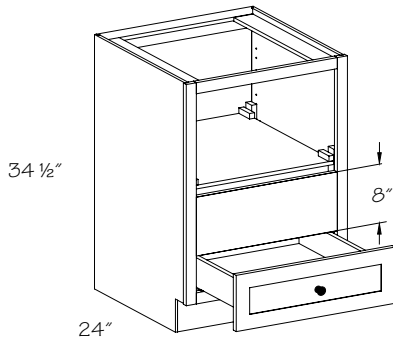
#### BBMC272434

#### BBMC302434

#### BBMC332434

Color coding indicates new product, size or code

- Adjustable floor
- Plywood floor
- Drawer height is 4"
- Accepts manufacturer's trim kit



Cabinet Width	Min. Width	Max. Width	Min. Height	Max. Height
24"	21"	22"	14"	20 7/8"
27"	24"	25"	14"	20 7/8"
30"	27"	28"	14"	20 7/8"
33"	30"	31"	14"	20 7/8"

●	PE
●	APC
●	APFC
●	DE
●	FPEB
●	GD
●	IF
❖	MI
●	RD
●	RTK
●	RTKP
●	TWR
●	VTK
●	WR
●	XS

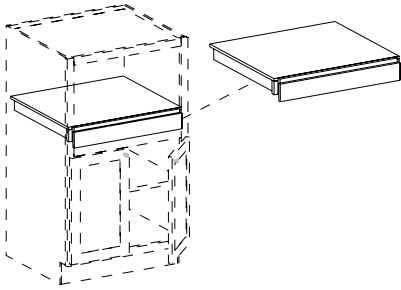
### Microwave Kit-Compact

(price book pg. E30)

#### CMCK24

#### CMCK27

- Includes 3/4" matching Viraguard shelf with Pine mounting supports
- Kit designed to reduce opening height of base microwave cabinet to 13"
- Slab drawer front in all door styles; DRPD **not** available



PE
● APC
● APFC
DE
FPEB
GD
IF
◇ MI
● RD
RTK
RTKP
TWR
VTK
WR
XS

### Base Dishwasher Cabinet

(price book pg. E30)

#### BDW272446

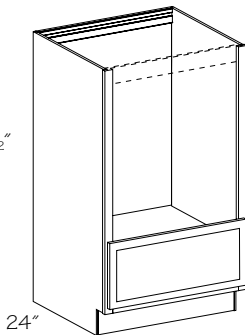
- Allows for 11" raised installation of standard dishwashers
  - False drawer front
  - Finished top required
  - Plywood floor
  - Top rail is removable (used for shipping purposes only)
- ☆ RTKPB, RTKPL, RTKPR **not** available



Consider ordering 46 1/2" high Base Microwave (BMC) and Dishwasher (BDW) Cabinets with Furniture

Plywood Ends (FPEB) to bring the sides flush with the face frame. This will prevent having to notch the countertop of an adjacent cabinet to fit behind the face frame.

46 1/2"



24"

● PE
● APC
● APFC
DE
● FPEB
GD
IF
MI
RD
RTK
☆ RTKP
TWR
● VTK
● WR
● XS

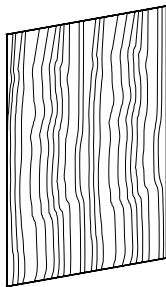
### Dishwasher Panel

(price book pg. E30)

#### DWP

- 3/16" thick, plain panel
- Matching wood veneer or laminate
- Quartersawn door styles are quartersawn wood veneer
- Must be trimmed to fit

30"



24"

PE
APC
APFC
DE
FPEB
GD
IF
MI
RD
RTK
RTKP
TWR
VTK
WR
XS

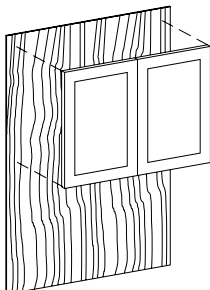
### Dishwasher Raised Panel

(price book pg. E30)

#### DWP-**RP**

- Full overlay door styles receive one door. All other overlays receive two doors (style and color to match kitchen).
- Mounted to matching 3/16" wood veneer or laminate panel
- Quartersawn oak door styles are mounted to matching 3/16" quartersawn wood veneer panel
- Universally sized, must be trimmed to fit

30"



24"

PE
APC
APFC
DE
FPEB
GD
IF
MI
RD
RTK
RTKP
TWR
VTK
WR
XS