

# Asymmetrical Easy Reach

## Construction Options and Modifications

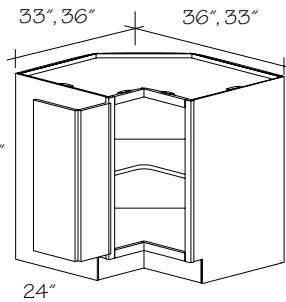
- --- Available with an upcharge
- ◆ --- Included as standard
- (Blank) - Not available

Material dimensions may be nominal based on lumber industry standards.

Specifications subject to change without notice.

- PE --- Plywood Ends
- APC --- All Plywood Construction
- APFC --- All Plywood Furniture Construction
- FPEB --- Furniture Plywood Ends
- GD --- Glass Doors
- IF --- Inverted Frame
- MI --- Matching Interior
- RD --- Reduced Depth
- RTK --- Recessed Toe Kick
- RTKP --- Recessed Toe Kick Peninsula
- TWR --- Top Wide Rail
- VTK --- Void Toe Kick
- WR --- Wide Bottom Rail
- XS --- Extended Stile

<b>EZR</b>	<b>36</b>	<b>33</b>	<b>L</b>
code	left leg length	right leg length	



### Asymmetrical Easy Reach

(price book pg. E38)

Specify R or L

#### EZR3633 R or L

#### EZR3336 R or L

- One fixed shelf
- Frame opening from left to right edge is 12 7/8"
- Face frame is scooped for hinge installation on full overlay door styles
- Doors are profiled on one long and two short edges and are connected with hinges
- Greenwich, Harlowe, Smithton and Vanderbilt doors will have a solid, recessed flat panel. Courtney doors will have a veneer, recessed flat panel.
- Angled back provides clearance for installation
- 29" door clearance recommended for delivery
- Example shown: EZR 3336 L
- Back Options (BEB and VGRB) **not** available
- Contrasting Back Options (CBEB, CPLB, CVGR) **not** available

- PE
- APC
- APFC
- FPEB
- GD
- IF
- MI
- RD
- RTK
- RTKP
- TWR
- VTK
- WR
- XS

### Asymmetrical Easy Reach Super Susan

(price book pg. E38)

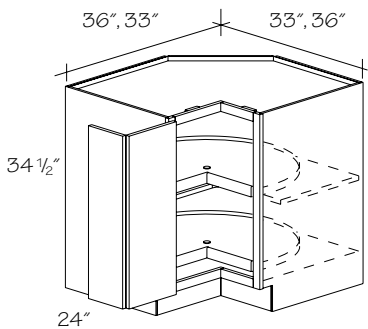
Specify R or L

#### EZR3633 R or L-SS

#### EZR3336 R or L-SS

- Two pie-cut 30 5/8" diameter, Viranguard interior rotating shelves
- Shelves rotate independently
- Frame opening from left to right edge is 12 7/8"
- Face frame is scooped for hinge installation on full overlay door styles
- Doors are profiled on one long and two short edges and are connected with hinges
- Greenwich, Harlowe, Smithton and Vanderbilt doors will have a solid, recessed flat panel. Courtney doors will have a veneer, recessed flat panel.
- Angled back provides clearance for installation
- 29" door clearance recommended for delivery
- Example shown: EZR 3633 L-SS
- Back Options (BEB and VGRB) **not** available
- Contrasting Back Options (CBEB, CPLB, CVGR) **not** available

- PE
- APC
- APFC
- FPEB
- GD
- IF
- MI
- RD
- RTK
- RTKP
- TWR
- VTK
- WR
- XS



## Asymmetrical Easy Reach Wood Super Susan

(price book pg. E38)

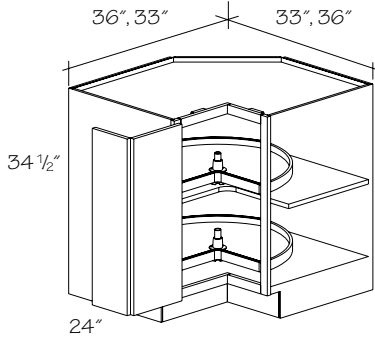
Specify R or L

**EZR3633 R or L-WSS**

**EZR3336 R or L-WSS**



●	PE
●	APC
●	APFC
●	FPEB
	GD
	IF
●	MI
	RD
●	RTK
	RTKP
	TWR
●	VTK
●	WR
●	XS



- Two pie-cut 28" diameter rotating shelves
- Shelves rotate independently
- Rotating shelves have plywood floor and solid wood trim
- Frame opening from left to right edge is 12 7/8"
- Face frame is scooped for hinge installation on full overlay door styles
- Doors are profiled on one long and two short edges and are connected with hinges
- Greenwich, Harlowe, Smithton and Vanderbilt doors will have a solid, recessed flat panel. Courtney doors will have a veneer, recessed flat panel.
- Angled back provides clearance for installation
- 29" door clearance recommended for delivery
- Example as shown: EZR 3633 L-WLS
- Back Options (BEB and VGRB) **not** available
- Contrasting Back Options (CBEB, CPLB, CVGR) **not** available

# Peninsula Base Corner Cabinets

## Construction Options and Modifications

- ◆ --- Included as standard
- --- Available with an upcharge
- (Blank) - Not available

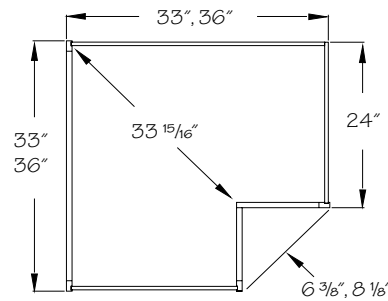
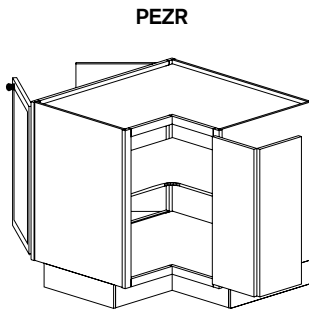
- PE --- Plywood Ends
- APC --- All Plywood Construction
- APFC --- All Plywood Furniture Construction
- FPEB --- Furniture Plywood Ends
- GD --- Glass Doors
- IF --- Inverted Frame
- MI --- Matching Interior
- RD --- Reduced Depth
- RTK --- Recessed Toe Kick Peninsula
- RTKP --- Recessed Toe Kick Peninsula
- TWR --- Top Wide Rail
- VTK --- Void Toe Kick
- WR --- Wide Bottom Rail
- XS --- Extended Stile

Material dimensions may be nominal based on lumber industry standards.

Specifications subject to change without notice.

PBA	36	R	L
code	width	kitchen side hinging	rear frame position

## Peninsula Easy Reach Information



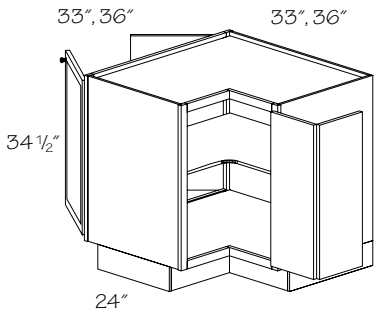
All dimensions are to outside of frame

PE
APC
APFC
FPEB
GD
IF
MI
RD
RTK
RTKP
TWR
VTK
WR
XS

## Peninsula Easy Reach

(price book pg. E38)

Specify R or L  
Specify R or L Rear Frame Position



- ☆◆ PEZR33 RR or L
- ☆◆ PEZR33 LR or L
- ※ PEZR36 RR or L
- ※ PEZR36 LR or L
- ☆ Glass doors **not** available on kitchen side
- ◆ Greenwich, Harlowe, Smithton and Vanderbilt doors will have a solid, recessed flat panel on kitchen side. Courtney doors will have a veneer, recessed flat panel on kitchen side.
- ※ **Not** available with Aluminum Frame glass doors on kitchen side

- One fixed shelf
- Frame opening, from left to right edge is 10 1/2" for EZR33 and 14 3/4" for EZR36
- Doors are profiled on one long and two short edges and are connected with hinges
- Toe kick is detachable
- The first R or L designates kitchen side door hinging
- The second R or L designates rear (peninsula) frame position
- Example shown: PEZR33RL
- Butt doors on peninsula side
- 31" door clearance recommended for delivery

● PE
● APC
● APFC
● FPEB
☆ GD
IF
● MI
RD
RTK
RTKP
TWR
VTK
WR
● XS

## Peninsula Easy Reach Super Susan

(price book pg. E40)

☆◆ **PEZR33 RR or L-SS**

☆◆ **PEZR33 LR or L-SS**

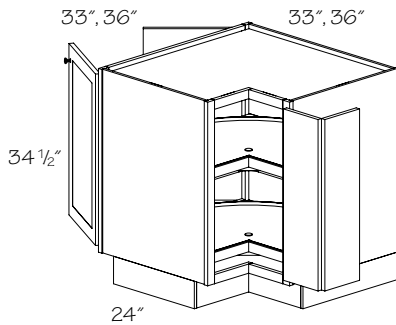
※ **PEZR36 RR or L-SS**

※ **PEZR36 LR or L-SS**

☆ Glass doors **not** available on kitchen side

◆ Greenwich, Harlowe, Smithton and Vanderbilt doors will have a solid, recessed flat panel on kitchen side. Courtney doors will have a veneer, recessed flat panel on kitchen side.

※ **Not** available with Aluminum Frame glass doors on kitchen side



- Two pie-cut 30 5/8" diameter, Viraguard interior rotating shelves
- Rotating shelves are attached to cabinet floor and fixed shelf
- Shelves rotate independently
- Lazy Susan cannot be turned from peninsula side with kitchen side doors in closed position
- Frame opening, from left to right edge is 10 1/2" for EZR33 and 14 3/4" for EZR36
- Doors are profiled on one long and two short edges and are connected with hinges
- The first R or L designates kitchen side door hinging
- The second R or L designates rear (peninsula) frame position
- Example shown: PEZR33RL
- Butt doors on peninsula side
- 31" door clearance recommended for delivery
- Toe kick is detachable



## Peninsula Easy Reach Wood Super Susan

(price book pg. E40)

☆◆ **PEZR33 RR or L-WSS**

☆◆ **PEZR33 LR or L-WSS**

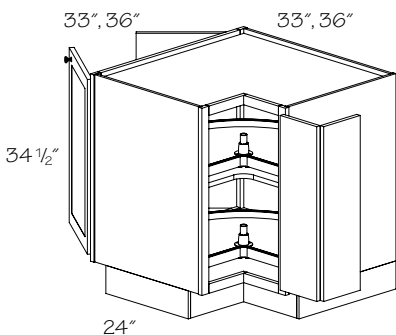
※ **PEZR36 RR or L-WSS**

※ **PEZR36 LR or L-WSS**

☆ Glass doors **not** available on kitchen side

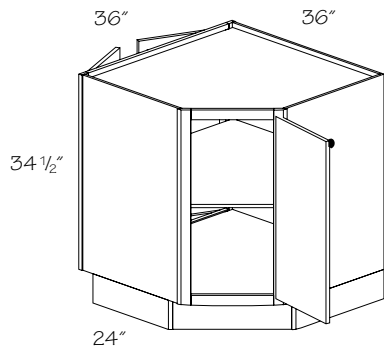
◆ Greenwich, Harlowe, Smithton and Vanderbilt doors will have a solid, recessed flat panel on kitchen side. Courtney doors will have a veneer, recessed flat panel on kitchen side.

※ **Not** available with Aluminum Frame glass doors on kitchen side



- Two pie-cut shelves rotate individually
- EZR33 has 28" diameter shelves; EZR36 has 32" diameter shelves
- Rotating shelves are attached to cabinet floor and fixed shelf
- Shelves rotate independently
- Lazy Susan cannot be turned from peninsula side with kitchen side doors in closed position
- Frame opening, from left to right edge is 10 1/2" for EZR33 and 14 3/4" for EZR36
- Doors are profiled on one long and two short edges and are connected with hinges
- The first R or L designates kitchen side door hinging
- The second R or L designates rear (peninsula) frame position
- Example shown: PEZR33RL
- Butt doors on peninsula side
- 31" door clearance recommended for delivery
- Toe kick is detachable





### Peninsula Base Angle Cabinet

(price book pg. E40)

Specify R or L

Specify R or L Rear Frame Position

**PBA36 RR or L**

**PBA36 LR or L**

- One fixed shelf
- Full-height door
- Toe kick is detachable
- The first R or L designates kitchen side door hinging
- The second R or L designates rear (peninsula) frame position
- Example shown: PBA36RL
- 31" door clearance recommended for delivery

●	PE
●	APC
●	APFC
●	FPEB
●	GD
	IF
●	MI
	RD
	RTK
	RTKP
	TWR
	VTK
	WR
	XS

