

# Base End Run Cabinets

<b>BEOS</b>	<b>12</b>	<b>24</b>
code	width	depth

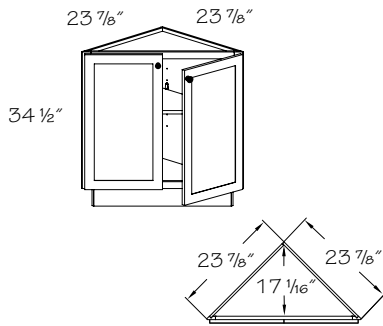
## Construction Options and Modifications

- --- Available with an upcharge
- ◆ --- Included as standard
- (Blank) - Not available

Material dimensions may be nominal based on lumber industry standards.

Specifications subject to change without notice.

- PE --- Plywood Ends
- APC --- All Plywood Construction
- APFC --- All Plywood Furniture Construction
- DE --- Integrated Decorative End
- FPEB --- Furniture Plywood Ends
- GD --- Glass Doors
- MI --- Matching Interior
- RD --- Reduced Depth
- RTK --- Recessed Toe Kick
- RTKP --- Recessed Toe Kick Peninsula
- WR --- Wide Bottom Rail
- VTK --- Void Toe Kick



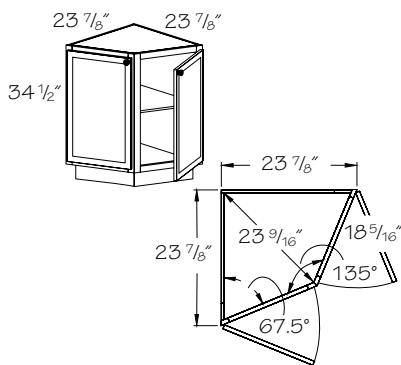
### Base Corner Angle

(price book pg. E40)

#### BCA24 BUTT

- One adjustable shelf
- Can be installed on either right or left end
- Contrasting Back Options (CBEB, CPLB, CVGR) **not** available

- PE
- APC
- APFC
- DE
- FPEB
- GD
- MI
- RD
- RTK
- RTKP
- WR
- VTK



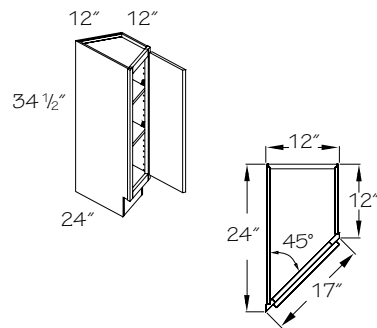
### Base End Corner

(price book pg. E40)

#### BEC24

- Can be installed on either right or left end
- One adjustable shelf
- Contrasting Back Options (CBEB, CPLB, CVGR) **not** available

- PE
- APC
- APFC
- DE
- FPEB
- GD
- MI
- RD
- RTK
- RTKP
- WR
- VTK



### Base End Angle

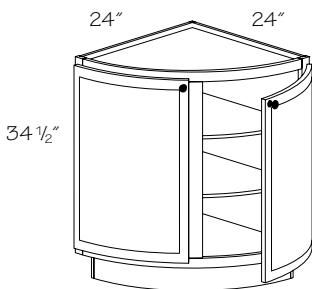
(price book pg. E42)

Specify R or L

#### BEA12 R or L

- Full-height door
- One optional tray divider available in center location only
- Right shown
- Two adjustable shelves
- Example: BEA12L-TD
- ☆ RTK available hinge side only
- ☆ Minimum Reduced Depth (RD) is 18"
- ☆ Wide Rail Plain only
- ☆ Integrated Decorative End (DE) available on 12" deep side only

- PE
- APC
- APFC
- ☆ DE
- FPEB
- GD
- MI
- ☆ RD
- ☆ RTK
- ☆ RTKP
- ☆ WR
- VTK



### Base End Corner w/Curved Door

(price book pg. E42)

#### BEC24 -CDO

- 23 5/8" radius
- Two convex doors with 3" center stile
- Can be installed on either right or left end
- Two adjustable shelves
- For Curved Moldings, see Molding section of this book
- **Note:** Selected cherry door styles only
- Contrasting Back Options (CBEB, CPLB, CVGR) **not** available

- PE
- APC
- APFC
- DE
- FPEB
- GD
- MI
- RD
- RTK
- RTKP
- WR
- VTK

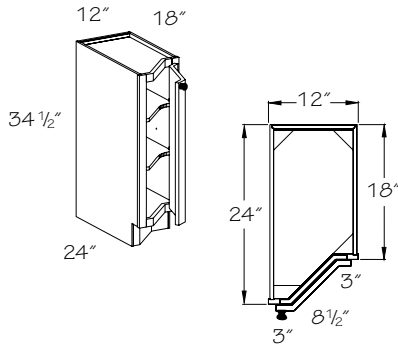
### Base Z-Angle

(price book pg. E42)

Specify R or L

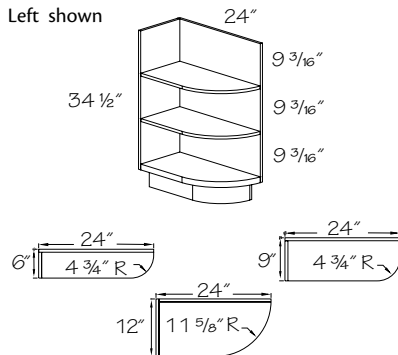
#### BZA12 R or L

- One optional tray divider available in center location only
- Right shown
- Two adjustable shelves
- Example: BZA12R-TD
- Outside profile will contain eased edges and will **not** match straight doors for Rutherford, Lindsay and Northwicke door styles
- **Not** available in Brockton, Eldridge, all Fox Chase, Garrison, Harlowe, Harrington, Jamison, Judson, Kendrick, Lincoln, Patterson, Putnam Oak, North Hampton, Richland, Seton, Smithton, Tennyson & Vanderbilt
- Contrasting Back Options (CBEB, CPLB, CVGR) **not** available
- **Not** available in laminate door styles
- Doors will **not** receive pegs when ordered in Abington, LaSalle & Morristown door styles
- ☆ Minimum Reduced Depth (RD) is 12"
- ☆ RTK available hinge side only



●	PE
●	APC
●	APFC
	DE
●	FPEB
	GD
●	MI
☆	RD
☆	RTK
	RTKP
	WR
●	VTK

Left shown



### Base End Open Shelf 24" Deep

(price book pg. E42)

Specify R or L

#### BEOS624 R or L

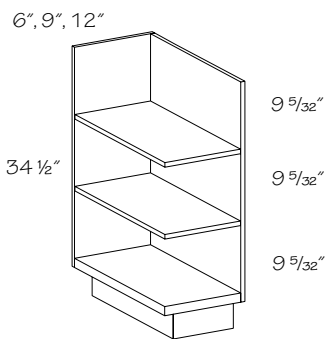
#### BEOS924 R or L

#### BEOS1224 R or L

- 1 3/16" thick bottom shelf
- 5/8" wood veneer construction
- Three fixed shelves
- For Curved Moldings, see Molding section of this book
- Back Options (BEB and VGRB) **not** available
- Contrasting Back Options (CBEB, CPLB, CVGR) **not** available
- Example: BEOS 1224R-RD reduce depth to 18"
- **Not** available in Morristown; Melrose and Brockton are plain sawn wood
- ☆ Reduced Depth (RD) available in 3" increments to a minimum of 12"

	PE
●	APC
	APFC
	DE
	FPEB
	GD
◇	MI
☆	RD
	RTK
	RTKP
	WR
●	VTK

Left shown



### Base End Open Shelf Mission 24" Deep

(price book pg. E42)

Specify R or L

#### BEOS624 R or L•M

#### BEOS924 R or L•M

#### BEOS1224 R or L•M

- 1 1/4" thick bottom shelf
- Quartersawn wood veneer construction
- Three fixed shelves
- Contrasting Back Options (CBEB, CPLB, CVGR) **not** available
- ☆ Reduced Depth (RD) available in 3" increments to a minimum of 12"
- Example: BEOS 1224R.M-RD reduce depth to 18"
- Available in quartersawn oak door styles only

	PE
●	APC
	APFC
	DE
	FPEB
	GD
◇	MI
☆	RD
	RTK
	RTKP
	WR
●	VTK

### Solid Wood Base End Open Shelf 24" Deep

(price book pg. E42)

Specify R or L

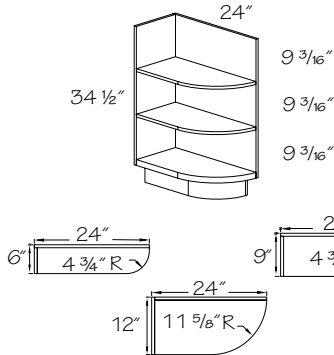
**SBEOS624 R or L**

**SBEOS924 R or L**

**SBEOS1224 R or L**

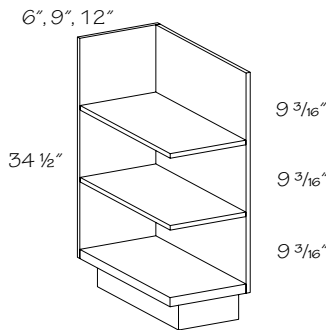
- 1 3/16" thick bottom shelf
- 5/8" wood veneer on sides and back
- Solid wood construction on shelves only
- Three fixed shelves
- Laminates are painted hardwood
- **Not** available in Morristown; Melrose and Brockton are plain sawn wood
- For Curved Moldings, see Molding section of this book
- Back Options (BEB and VGRB) **not** available
- Contrasting Back Options (CBEB, CPLB, CVGR) **not** available
- ☆ Shelves remain solid when APC option is chosen; sides and back will be 11/16" matching wood veneer plywood
- ☆ Reduced Depth (RD) available in 3" increments to a minimum of 12"
- Example: SBEOS 1224R-RD reduce depth to 18"

Left shown



PE
☆ APC
APFC
DE
FPEB
GD
❖ MI
☆ RD
RTK
RTKP
WR
● VTK

Left Shown



### Solid Wood Base End Open Shelf Mission 24" Deep

(price book pg. E44)

Specify R or L

**SBEOS624 R or L-M**

**SBEOS924 R or L-M**

**SBEOS1224 R or L-M**

- 1 3/16" thick bottom shelf
- Solid standard oak on shelves only
- Quartersawn wood veneer construction on sides and back
- Three fixed shelves
- Available in quartersawn oak door styles only
- Example: SBEOS 1224R.M-RD reduce depth to 18"
- Contrasting Back Options (CBEB, CPLB, CVGR) **not** available
- ☆ Reduced Depth (RD) available in 3" increments to a minimum of 12"
- ☆ Shelves remain solid when APC option is chosen; sides and back will be 11/16" matching wood veneer plywood

PE
☆ APC
APFC
DE
FPEB
GD
❖ MI
☆ RD
RTK
RTKP
WR
● VTK

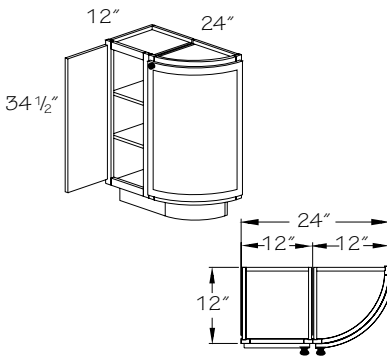
### Base End Open Shelf w/Curved Door

(price book pg. E44)

Specify R or L

**BEOS1224 R or L-CDO**

- 11 5/8" radius
- Two adjustable shelves
- For Curved Moldings, see Molding section of this book
- **Note:** Selected cherry door styles only
- Contrasting Back Options (CBEB, CPLB, CVGR) **not** available



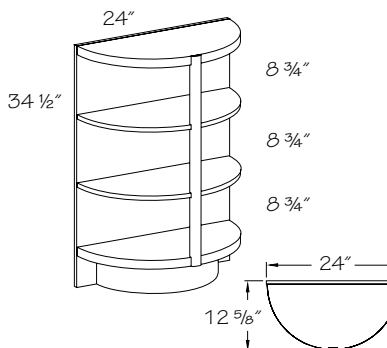
● PE
● APC
● APFC
DE
● FPEB
GD
● MI
RD
RTK
RTKP
WR
● VTK

### Peninsula Base End Open Shelf 12" Deep

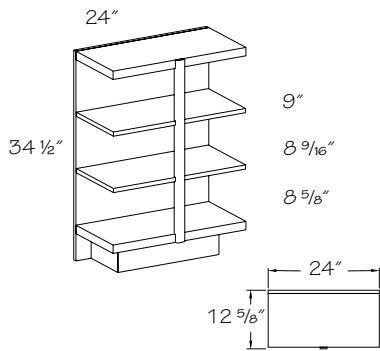
(price book pg. E44)

**PBEOS1224**

- 11 5/8" radius
- 5/8" wood veneer construction; back is 11/16" when APC option is chosen
- Three fixed shelves
- 1 3/16" thick top and bottom shelves; for Curved Moldings see Molding section of this book
- Back may be notched in field for continuous toe kick applications
- Contrasting Back Options (CBEB, CPLB, CVGR) **not** available
- **Not** available in Morristown; Melrose and Brockton are plain sawn wood



PE
● APC
APFC
DE
FPEB
GD
❖ MI
RD
RTK
RTKP
WR
● VTK



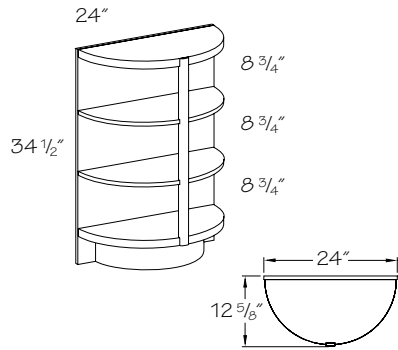
**Peninsula Base End Open Shelf Mission 12" Deep**

(price book pg. E44)

**PBEOS1224 •M**

- 1 1/4" thick top and bottom shelves
- Back may be notched in field for continuous toe kick applications
- Quartersawn wood veneer construction
- Three fixed shelves
- Available in quartersawn oak door styles only
- Contrasting Back Options (CBEB, CPLB, CVGR) *not* available

PE
● APC
APFC
DE
FPEB
GD
❖ MI
RD
RTK
RTKP
WR
● VTK



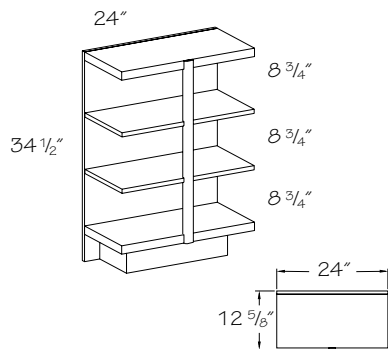
**Solid Wood Peninsula Base End Open Shelf 12" Deep**

(price book pg. E44)

**SPBEOS1224**

- 11 5/8" radius
- 5/8" wood veneer on back panel
- Three fixed shelves
- Solid wood construction on shelves only
- 1 3/16" thick top and bottom shelves; for Curved Moldings see Molding section of this book
- Back may be notched in field for continuous toe kick applications
- Laminates are painted hardwood
- Contrasting Back Options (CBEB, CPLB, CVGR) *not* available
- *Not* available in Morristown; Melrose and Brockton are plain sawn wood
- ☆ Shelves remain solid when APC option is chosen; back will be 11/16" matching wood veneer plywood

PE
☆ APC
APFC
DE
FPEB
GD
❖ MI
RD
RTK
RTKP
WR
● VTK



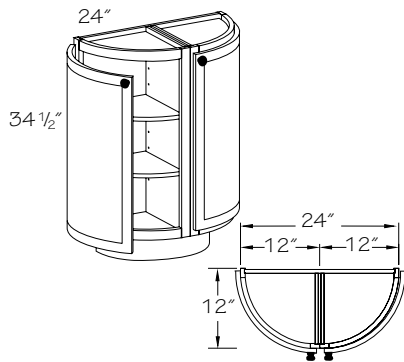
**Solid Wood Peninsula Base End Open Shelf Mission 12" Deep**

(price book pg. E44)

**SPBEOS1224 •M**

- 1 3/16" thick top and bottom shelves
- Back may be notched in field for continuous toe kick applications
- Solid standard oak on shelves only
- Quartersawn wood veneer construction on back
- Three fixed shelves
- Available in quartersawn oak door styles only
- Contrasting Back Options (CBEB, CPLB, CVGR) *not* available
- ☆ Shelves remain solid when APC option is chosen; back will be 11/16" matching wood veneer plywood

PE
☆ APC
APFC
DE
FPEB
GD
❖ MI
RD
RTK
RTKP
WR
● VTK



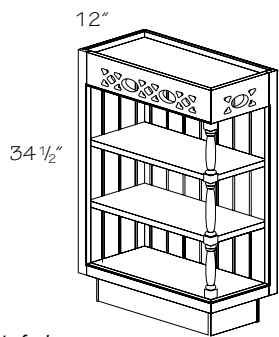
**Peninsula Base End w/Curved Doors 12" Deep**

(price book pg. E46)

**PBEOS1224 •CDO**

- 11 5/8" radius
- Two adjustable shelves
- For Curved Moldings, see Molding section of this book
- *Note:* Selected cherry door styles only
- Contrasting Back Options (CBEB, CPLB, CVGR) *not* available

● PE
● APC
● APFC
DE
● FPEB
GD
● MI
RD
RTK
RTKP
WR
● VTK



**Base End Open Frieze**

(price book pg. E46)

Specify R or L

**BEOF1224 R or L**

- Fixed shelves
- Wood veneer V-Groove Back
- Wood Veneer Construction (WVC) standard
- Add -NF for no charge no fret option
- Contrasting Back Options (CBEB, CPLB, CVGR) *not* available
- *Not* available in Morristown; Melrose and Brockton are plain sawn wood

PE
● APC
APFC
DE
FPEB
GD
❖ MI
RD
RTK
RTKP
WR
● VTK

Left shown