

Base Open Cabinets

Construction Options and Modifications

- --- Available with an upcharge
- ◆ --- Included as standard
- (Blank) - Not available

Material dimensions may be nominal based on lumber industry standards.

Specifications subject to change without notice.

- PE --- Plywood Ends
- APC --- All Plywood Construction
- APFC --- All Plywood Furniture Construction
- DE --- Integrated Decorative End
- FPEB --- Furniture Plywood Ends
- MI --- Matching Interior
- RD --- Reduced Depth
- RTK --- Recessed Toe Kick
- RTKP --- Recessed Toe Kick Peninsula
- VTK --- Void Toe Kick
- WR --- Wide Bottom Rail
- XS --- Extended Stile

BOC	24
code	width

Base Open Basket Cabinet

(price book pg. E46)

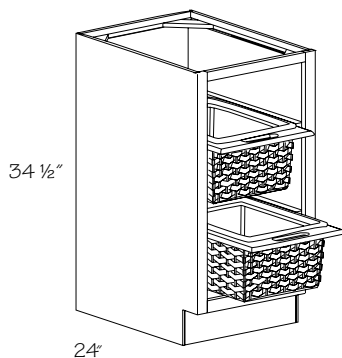
Inside Dimensions:

BOBC15 •FH 7 1/2" x 15"

BOBC18 •FH 10 1/2" x 15"

- The following valance options are available:
- VA (4 1/2" Arched Fret Valance)
- VAR (4 1/2" Arched Valance No Fret)
- VAR•M (3 1/2" Arched Valance Mission)
- VCB (5 1/2" Corbel Valance)
- VCV (5 1/2" Cove Valance)
- VCR (5 1/2" Crown Valance)
- VF (3 1/2" Furniture Valance)
- VSH (5 1/2" Shaker Arched Valance)
- VTWR (6" Straight Rail Valance)
- VVIC (5 1/2" Victorian Valance)
- Example: BOBC18•FH-VAR
- See Construction Options section of this book for illustrations
- VAR•M only valance available in Morristown
- VAR•M available in quartersawn oak door styles only

- Wicker baskets and tracks are in natural finish with solid wood frame
- Valance options available in cabinets 15" and wider
- Valance options are plain sawn wood in quartersawn door styles; except VAR•M, which is quartersawn oak
- Laminates are painted hardwood
- VA **not** available in 15" wide cabinets
- Contrasting Back Options (CBE, CPLB, CVGR) **not** available
- Back Options (BEB and VGRB) **not** available



Remember, Base Open Basket Cabinets (BOBC) — Baskets and wood runners are natural finish and not stained to match the interior.

- PE
- APC
- APFC
- DE
- FPEB
- ◆ MI
- RD
- RTK
- RTKP
- VTK
- WR
- XS

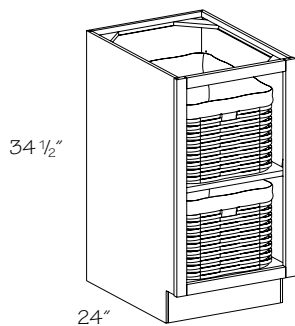
Base Open Wicker Basket

(price book pg. E46)

BOWB18 •FH

BOWB21 •FH

- Baskets shipped separately
- One adjustable shelf
- Wicker baskets are in natural finish and are shipped with a removable, washable liner of unbleached cotton canvas



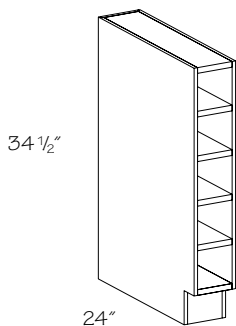
- PE
- APC
- APFC
- DE
- FPEB
- ◆ MI
- RD
- RTK
- RTKP
- VTK
- WR
- XS

Base Wine Rack

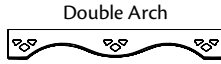
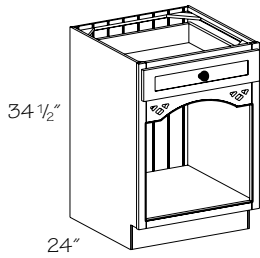
(price book pg. E46)

BWR6

- 5/8" wood veneer construction
- Quartersawn door styles will be supplied in plain sawn wood
- Four fixed shelves
- Bottle stop pin placed at 12" (removable)
- Recommended installation is between two cabinets
- **Note:** This cabinet features "frameless" type construction
- Contrasting Back Options (CBE, CPLB, CVGR) **not** available
- ☆ Minimum Reduced Depth (RD) is 12" for laminate door styles; 6" for wood door styles
- ☆ RTKPB, RTKPL, RTKPR **not** available



- PE
- APC
- APFC
- DE
- FPEB
- ◆ MI
- ☆ RD
- RTK
- ☆ RTKP
- VTK
- WR
- XS



Base Open Cabinet Arch w/Drawer

(price book pg. E46)

- * **BOC15**
- * **BOC18**
- * **BOC21**
- * **BOC24**
- * **BOC27**
- * **BOC30**
- ◆ **BOC36**
- * Solid arch—no fretwork
- ◆ Double arch

- No shelf
- Beaded Back
- Add -NF for no charge no fret option
- **Not** available in Morristown; Melrose and Brockton are plain sawn wood

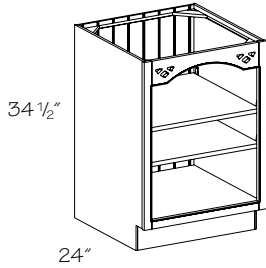


When ordering an unfinished cabinet that has standard Matching Interior (MIV), you must use MIP, MIFP or FPEB to get a wood veneer matching interior. If the cabinet is Wood Veneer standard, ordered as All Plywood (APC) or with Furniture Plywood Ends (FPEB, APFC), wood veneer matching interior will be standard.

- PE
- APC
- APFC
- DE
- FPEB
- ◆ MI
- RD
- RTK
- RTKP
- VTK
- WR
- XS

Base Open Cabinet Arch

(price book pg. E48)



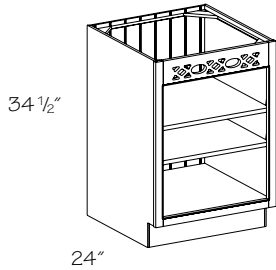
- * **BOCA15 -FH**
- * **BOCA18 -FH**
- * **BOCA21 -FH**
- * **BOCA24 -FH**
- * Solid arch—no fretwork

- Full-depth, adjustable shelves
- Beaded Back
- Includes satin chrome furniture shelf rests
- Add -NF for no charge no fret option
- **Not** available in Morristown; Melrose and Brockton are plain sawn wood

- PE
- APC
- APFC
- DE
- FPEB
- ◆ MI
- RD
- RTK
- RTKP
- VTK
- WR
- XS

Base Open Cabinet Frieze

(price book pg. E48)



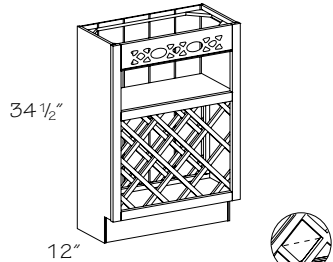
- * **BOCF12 -FH**
- * **BOCF15 -FH**
- * **BOCF18 -FH**
- * **BOCF21 -FH**
- * **BOCF24 -FH**

- Full-depth, adjustable shelves
- Beaded Back
- Includes satin chrome furniture shelf rests
- Add -NF for no charge no fret option
- **Not** available in Morristown; Melrose and Brockton are plain sawn wood

- PE
- APC
- APFC
- DE
- FPEB
- ◆ MI
- RD
- RTK
- RTKP
- VTK
- WR
- XS

Base Lattice Frieze—12" Deep

(price book pg. E48)



5 1/4" interior diagonal dimension

3 3/4" diameter bottle capacity

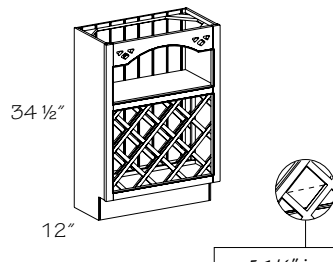
- * **BLF1512 -FH** 5
- * **BLF1812 -FH** 5
- * **BLF2412 -FH** 7
- * **BLF3012 -FH** 11
- * **BLF3612 -FH** 13

- Lattice is finished to match exterior
- Lattice is **not** removable
- One fixed shelf
- Beaded Back
- Add -NF for no charge no fret option
- **Not** available in Morristown; Melrose and Brockton are plain sawn wood

- PE
- APC
- APFC
- DE
- FPEB
- ◆ MI
- RD
- RTK
- RTKP
- VTK
- WR
- XS

Base Lattice Arch—12" Deep

(price book pg. E48)



5 1/4" interior diagonal dimension

3 3/4" diameter bottle capacity

- * **BLA1512 -FH** 5
- * **BLA1812 -FH** 5
- * **BLA2412 -FH** 7
- * **BLA3012 -FH** 11
- ◆ **BLA3612 -FH** 13
- * Solid arch—no fretwork
- ◆ Double arch

- Lattice is finished to match exterior
- Lattice is **not** removable
- One fixed shelf
- Beaded Back
- Add -NF for no charge no fret option
- **Not** available in Morristown; Melrose and Brockton are plain sawn wood

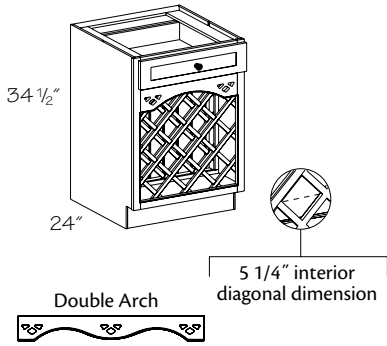
- PE
- APC
- APFC
- DE
- FPEB
- ◆ MI
- RD
- RTK
- RTKP
- VTK
- WR
- XS

Base Lattice Arch w/Drawer

(price book pg. E48)

3 3/4" diameter bottle capacity

- * **BL15** 7
- BL18** 7
- BL24** 11
- BL30** 15
- ◆ **BL36** 18
- * Solid arch—no fretwork
- ◆ Double arch



- Lattice is finished to match exterior
- Lattice is **not** removable
- Beaded Back
- Add -NF for no charge no fret option
- **Not** available in Morristown; Melrose and Brockton are plain sawn wood
- ☆ Minimum Reduced Depth (RD) is 13"



Remember, on Base Lattice Cabinets (BLF, BLA, BL), the necks of wine bottles protrude from the frame four inches.

Keep that in mind when placing these in a narrow, high traffic path. If possible, recess the lattice cabinet 2-3 inches back from the rest of the base cabinets.

●	PE
●	APC
●	APFC
	DE
●	FPEB
◇	MI
☆	RD
●	RTK
●	RTKP
●	VTK
●	WR
●	XS