

Base Accessories

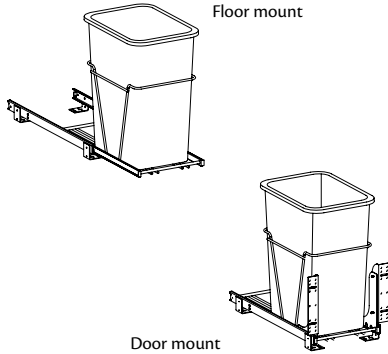
Construction Options and Modifications

- --- Available with an upcharge
- ◆ --- Included as standard
- (Blank) - Not available

RBFC	3	15
code	width	depth

Specifications subject to change without notice.

- PE --- Plywood Ends
- APC --- All Plywood Construction
- APFC --- All Plywood Furniture Construction
- FPEB --- Furniture Plywood Ends
- MI --- Matching Interior
- RTKP --- Recessed Toe Kick Peninsula
- RD --- Reduced Depth
- VTK --- Void Toe Kick
- WR --- Wide Bottom Rail



Base Single Wastebasket Kit

(price book pg. E78)

Door Mount

BWBDMK15 Fits: B15 and B30

BWBDMK18 Fits: B18 and B36

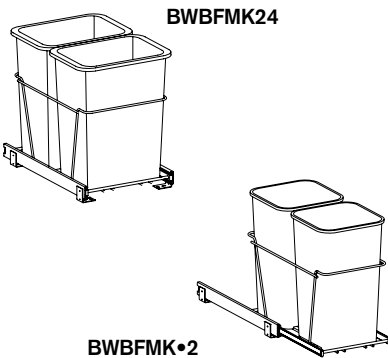
Floor Mount

BWBFMK Fits: B15-B48

- 35 quart capacity white basket(s)
- Wastebasket(s) are held in by epoxy coated wire "cage"
- Basket(s) are easily removable for emptying or cleaning
- Field installation only
- Optional Wastebasket Lid (WBL) available for 35 and 50 quart wastebaskets



- PE
- APC
- APFC
- FPEB
- MI
- RTKP
- RD
- VTK
- WR



Base Multiple Wastebasket Kit

(price book pg. E78)

Floor mount kit w/two baskets

BWBFMK24 Fits: B24 or B24BUTT only

- 35 quart capacity white basket(s)

BWBFMK•2 Fits: B15-B48

- 27 quart capacity

- Basket slides on full extension glides
- Basket(s) are easily removable for emptying or cleaning
- Wastebasket(s) are held in by epoxy coated wire "cage"
- Field installation only
- Optional Wastebasket Lid (WBL) available for 35 and 50 quart wastebaskets



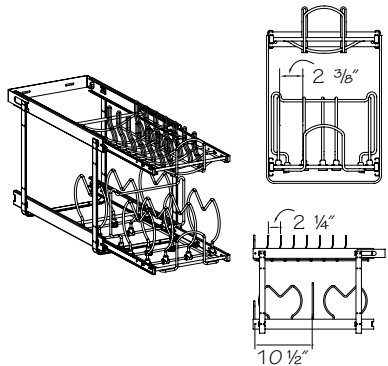
- PE
- APC
- APFC
- FPEB
- MI
- RTKP
- RD
- VTK
- WR

Tiered Pan and Lid Storage Pull-out Kit

(price book pg. E78)

TPLSK15

- Fits into 15" wide 24" deep base full-height cabinets
- Chrome wire roll-out unit
- Unit slides on full extension side-mount runners
- Overall unit height is 18"
- Bottom portion of pull-out has movable dividers and is adjustable to accommodate different pan sizes.
- Pull-out unit is 11 5/8" wide



- PE
- APC
- APFC
- FPEB
- MI
- RTKP
- RD
- VTK
- WR

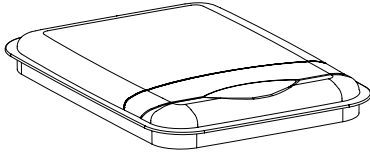
Wastebasket Lid

(price book pg. E78, H12)

WBL35-W White

WBL50-W White

- Lid flips open manually
- Lid holds can liner in place



PE
APC
APFC
FPEB
MI
RTKP
RD
VTK
WR

Replacement Wastebasket

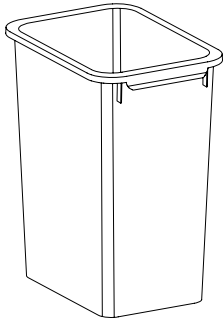
(price book pg. E78)

RWB27 27 quart

RWB35 35 quart

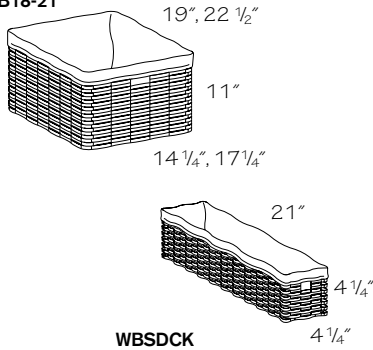
RWB50 50 quart

- Field installation only
- Optional Wastebasket Lid (WBL) available for 35 and 50 quart wastebaskets



PE
APC
APFC
FPEB
MI
RTKP
RD
VTK
WR

WB18-21



Replacement Wicker Baskets–Base

(price book pg. E78)

WB18

WB21

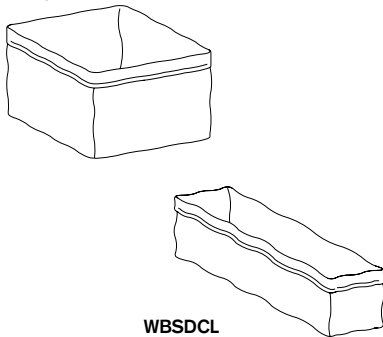
WBSDCK

- Wicker baskets are in natural finish and are shipped with a removable, washable liner of unbleached cotton canvas
- Field installation only
- Includes one basket and one liner
- Handmade basket measurements are approximate but will always fit into their corresponding cabinet



PE
APC
APFC
FPEB
MI
RTKP
RD
VTK
WR

WB18-21



Replacement Wicker Basket Liners–Base

(price book pg. E78)

WB18 L Fits WB18

WB21 L Fits WB21

WBSDCL Fits WBSDC

- Washable liner of unbleached cotton canvas
- Includes one liner



PE
APC
APFC
FPEB
MI
RTKP
RD
VTK
WR

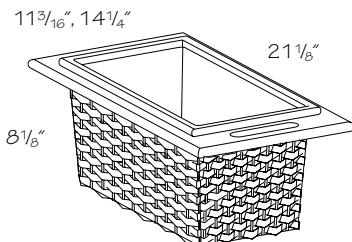
Replacement Wicker Baskets w/Frame

(price book pg. E78)

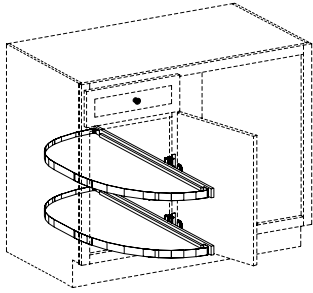
BOBCK15

BOBCK18

- Solid wood frame
- Wicker baskets and tracks are in natural finish with solid wood frame
- Runners *not* included
- Field installation only
- Includes one basket



PE
APC
APFC
FPEB
MI
RTKP
RD
VTK
WR



Base Blind Corner Lazy Susan Kit

(price book pg. E78)

Specify R or L Blind

LSK42 R or L

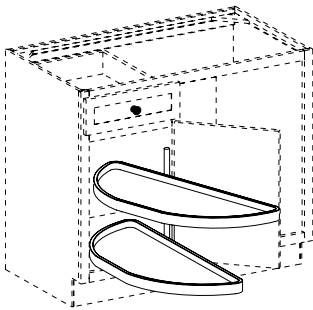
LSK45 R or L

LSK48 R or L

- Available for 42", 45" and 48" base blind cabinets
- Kit includes two half circle shelves that rotate out individually and mounting hardware
- Right blind shown
- Field installation only



PE
APC
APFC
FPEB
MI
RTKP
RD
VTK
WR



Base Blind Corner Wood Lazy Susan Kit

(price book pg. E78)

Specify R or L Blind

LSK42 R or L-WLS

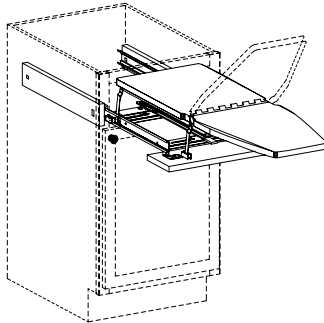
LSK45 R or L-WLS

LSK48 R or L-WLS

- Available for 42", 45" and 48" base blind cabinets
- Kit includes two half circle shelves that rotate out individually and mounting hardware
- Rotating shelves have plywood floor and solid wood trim
- Right blind shown
- Field installation only



PE
APC
APFC
FPEB
MI
RTKP
RD
VTK
WR



Ironing Board Kit

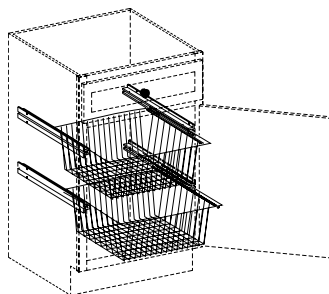
(price book pg. E78)

IBK18

- Extends 39" out from cabinet front when open
- For installation in top drawer of B18
- Includes mounting hardware and cover with pad
- Field installation only



PE
APC
APFC
FPEB
MI
RTKP
RD
VTK
WR



Vegetable Bin Kit

(price book pg. E78)

VBK15

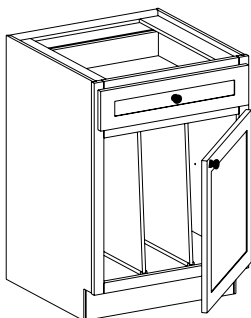
VBK18

VBK24

- Bins are easily removable
- Two White epoxy coated wire bins
- Field installation only



PE
APC
APFC
FPEB
MI
RTKP
RD
VTK
WR



Tray Dividers-Base

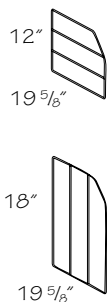
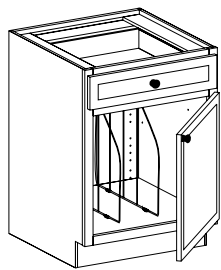
(price book pg. E78)

1TD

- 1/2" natural birch Viraguard
- Available factory installed for 24" deep cabinets only
- Installed in wood or plastic U-channels
- Shelves are eliminated when this option is selected
- Specify quantity and location
- Example: B24R-2TD (spaced evenly)
- **Not** available in 40 1/2" high base cabinets



PE
APC
APFC
FPEB
MI
RTKP
RD
VTK
WR



Wire Tray Divider Kit

(price book pg. E78)

WTDK12 12" high

WTDK18 18" high

- Installation clips and screws included
- White epoxy coated wire
- Field installation only



PE
APC
APFC
FPEB
MI
RTKP
RD
VTK
WR

Adjustable Drawer Dividers

(price book pg. E78)

* **1ADD**

2ADD

Single Replacement Dividers Only

ADDIV-7-12 7" High 12" Deep Drawers

ADDIV-7-15 7" High 15" Deep Drawers

ADDIV-7-18 7" High 18" Deep Drawers

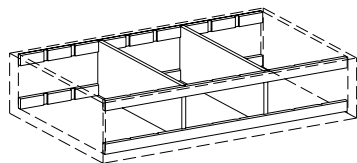
ADDIV-7-21 7" High 21" Deep Drawers

ADDIV-7-24 7" High 24" Deep Drawers

ADDIV-11-21 11" High 21" Deep Drawers

ADDIV-11-24 11" High 24" Deep Drawers

- * Installed in bottom drawer of cabinets with 2 deep drawers



- Dividers are 1/2" thick and can be spaced approximately 3" apart
- Fits drawers of all 24"-42" base cabinets
- For 24"-27" wide cabinets, two dividers supplied
- For 30"-42" wide cabinets, three dividers supplied
- Available factory installed only



PE
APC
APFC
FPEB
MI
RTKP
RD
VTK
WR

Drawer Partition

(price book pg. E78)

3/4" solid wood

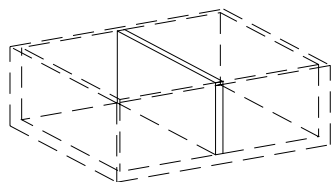
DP24 -4 4" high drawers

DP24 -7 7" high drawers

3/4" plywood

DP24 -11 11" high drawers

- Fits drawers from front to back
- Field installation only



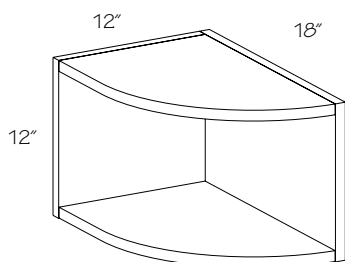
PE
APC
APFC
FPEB
MI
RTKP
RD
VTK
WR

Sink Base Multi-Storage Shelf Kit

(price book pg. E78)

SBMSSK

- 3/4" natural birch plywood
- Installation instructions included
- Field installation only



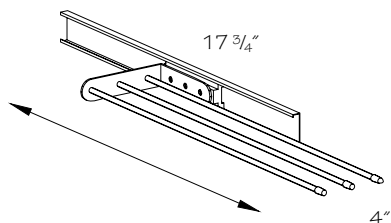
PE
APC
APFC
FPEB
MI
RTKP
RD
VTK
WR

Sliding Towel Bar

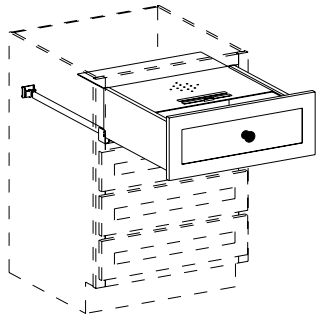
(price book pg. E78)

STB

- Mounts to cabinet end panel
- Pulls out 8 3/4" for easy access
- Three satin finish chrome towel bars
- Field installation only



PE
APC
APFC
FPEB
MI
RTKP
RD
VTK
WR

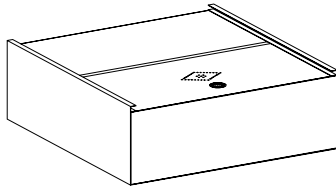


Sliding Bread Box Lid

(price book pg. E79)

SBB

- Fits deep drawer of all 15"–24" base cabinets
- Textured acrylic lid
- Ventilated sliding top
- Example: BD18-SBB



Bread Box or Kit

(price book pg. E79)

Installed

- BB15**
- BB18**
- BB21**
- BB24**

Kit

- BBK15**
- BBK18**
- BBK21**
- BBK24**

- Fits deep drawer of all 15"–24" base cabinets
- Metal insert
- Ventilated sliding top
- Example:
Factory Installed—BD18-BB18
Field Installed Kit—BBK18

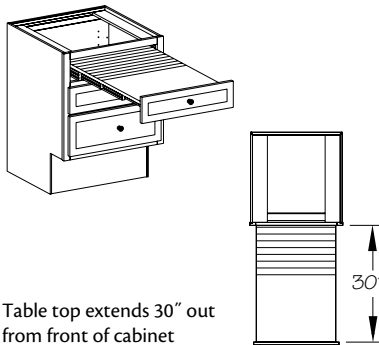


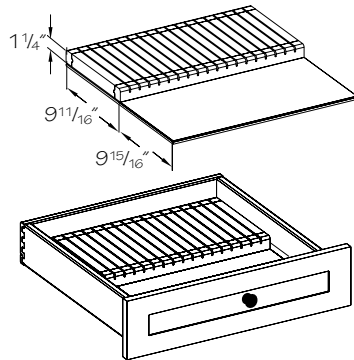
Table top extends 30" out from front of cabinet

Pull-out Table Kit

(price book pg. E79)

POTK24

- Fits standard 24" wide drawer opening
- Load capacity 160 lbs.
- Must be installed prior to installation of countertop
- Top constructed of laminated Maple melamine
- **Not** for use in any freestanding cabinet. Must be secured to floor or wall.



Knife Section or Kit

(price book pg. E79)

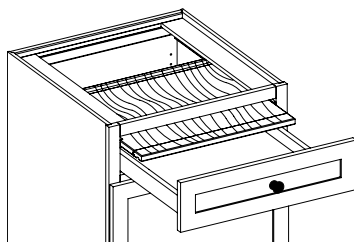
Installed # knife slots

- KS15** 9
- KS18** 12
- KS21** 15
- KS24** 18

Kit # knife slots

- KSK15** 9
- KSK18** 12
- KSK21** 15
- KSK24** 18

- Solid wood, slotted knife holder is 9 11/16" deep
- Cork pad protects drawer bottom as well as knife handles and edges
- Slots are 1/8" wide, spaced 1" apart



Cutting Center or Kit

(price book pg. E79)

Installed

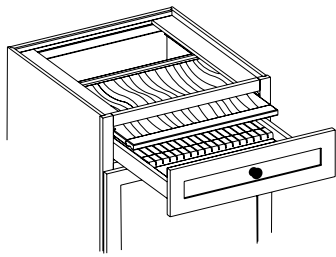
- CC15**
- CC18**
- CC21**
- CC24**

Kit

- CCK15**
- CCK18**
- CCK21**
- CCK24**

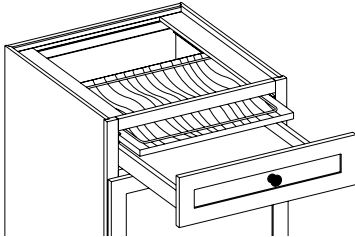
- 2 1/4" high drawer box with cutting board installed above
- Cutting board must be removed for use
- Example:
Factory Installed—B15L-CC15
Field Installed Kit—CCK15



Knife Section Cutting Center or Kit*(price book pg. E79)**Installed # knife slots***KSCC15** 9**KSCC18** 12**KSCC21** 15**KSCC24** 18*Kit # knife slots***KSCCK15** 9**KSCCK18** 12**KSCCK21** 15**KSCCK24** 18

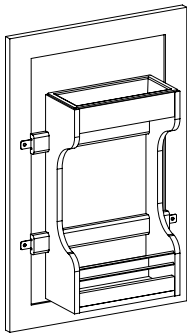
- 2 1/4" high drawer box with cutting board installed above
- Cutting board must be removed for use
- Has removable knife section installed in drawer
- Example:
Factory Installed—B15L-KSCC15
Field Installed Kit—KSCCK15

PE
APC
APFC
FPFB
MI
RTKP
RD
VTK
WR

Chopping Block or Kit*(price book pg. E79)**Installed***CHB18****CHB21****CHB24***Kit***CHBK18****CHBK21****CHBK24**

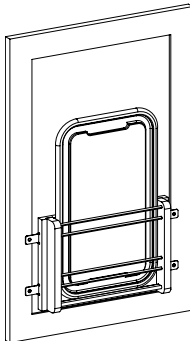
- 2 1/4" high drawer box with 1 1/4" thick solid wood block installed above drawer box
- Chopping block must be removed for use
- Cannot be installed in one side of a double drawer (side by side) cabinet
- Example:
Factory Installed—B18L-CHB18
Field Installed Kit—CHBK18

PE
APC
APFC
FPFB
MI
RTKP
RD
VTK
WR

Sink Base Door Storage Unit or Kit*(price book pg. E79)**Installed***SBDSU30 R or L****SBDSU33 R or L****SBDSU36 R or L**
also fits SB18**SBDSU39 R or L****SBDSU42 R or L**
also fits SB21*Kit***SBDSUK30****SBDSUK33****SBDSUK36**
also fits SB18**SBDSUK39****SBDSUK42**
also fits SB21

- Solid wood
- Two fixed shelves, 4" deep
- Kit includes all mounting hardware
- Rack is 5" deep
- Removable, dishwasher safe, almond plastic tray lines top shelf

PE
APC
APFC
FPFB
MI
RTKP
RD
VTK
WR

Cutting Board Door Rack Kit*(price book pg. E79)***CBDMK18** Fits 18" doors -

9 3/4" x 15 3/4" cutting board

CBDMK21 Fits 21" doors -

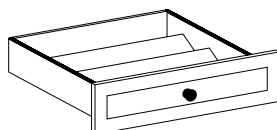
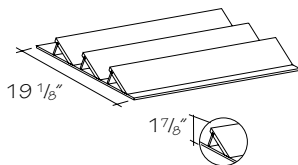
12 3/4" x 15 3/4" cutting board

CBDMK24 Fits 24" doors -

12 3/4" x 15 3/4" cutting board

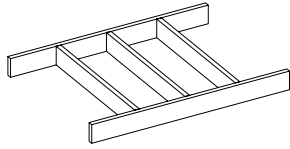
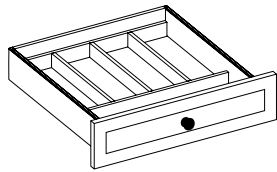
- Lightweight, high density polyethylene
- Able to be cleaned thoroughly, eliminating bacteria and odor
- Approved by FDA (Food and Drug Administration) ITEM 2.1 REG. #1CRF177.1520
- Approved by the National Sanitation Foundation No. 721
- Cannot be used with full-depth shelves or Roll-out Trays (ROT)
- Dishwasher safe up to 180° F
- Manufactured with high capacity juice grooves
- Non-abrasive, reduces the dulling of cutting blades
- Solid maple caddy with mounting sockets and screws

PE
APC
APFC
FPFB
MI
RTKP
RD
VTK
WR

Spice Drawer Insert or Kit*(price book pg. E79)**Installed***SDI12****SDI15****SDI18****SDI21****SDI24***Kit***SDIK12****SDIK15****SDIK18****SDIK21****SDIK24**

- Solid wood insert holds spice containers at an angle for easy identification and removal
- Example:
Factory Installed—B15R-SDI15
Field Installed Kit—SDIK15

PE
APC
APFC
FPFB
MI
RTKP
RD
VTK
WR



Cutlery Divider or Kit

(price book pg. E79)

Installed

CD12
CD15
CD18
CD21
CD24
CD27
CD30
CD33
CD36

Kit

CDK12 2 sections
CDK15 3 sections
CDK18 3 sections
CDK21 4 sections
CDK24 4 sections
CDK27 5 sections
CDK30 5 sections
CDK33 6 sections
CDK36 7 sections

- 1/2" thick solid wood dividers 1 3/4" high
- Each section is 13" deep and approximately 3 7/8" wide
- Example:
Factory Installed—BD15-CD15
Field Installed Kit—CDK15

- PE
- APC
- APFC
- FPEB
- MI
- RTKP
- RD
- VTK
- WR

Stainless Cutlery Divider

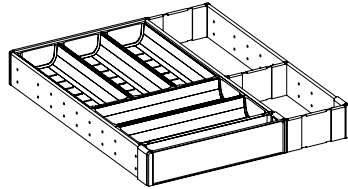
(price book pg. E79)

SCDK

- Adjustable, spring-loaded side rails
- Five removable stainless steel trays
- Fits standard drawers in cabinets 21"–27" wide and 24" deep
- Field installation only



Decorative Hardware should be installed prior to installing a Stainless Cutlery Divider



- PE
- APC
- APFC
- FPEB
- MI
- RTKP
- RD
- VTK
- WR

Tiered Cutlery Divider or Kit

(price book pg. E79)

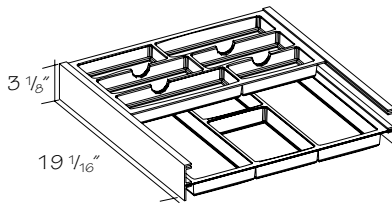
Installed

TCD15
TCD18
TCD21
TCD24

Kit

TCDK15
TCDK18
TCDK21
TCDK24

- Dishwasher safe
- Removable plastic insert
- Sliding top tray
- Example:
Factory Installed—BD15-TCD15
Field Installed Kit—TCDK 15



- PE
- APC
- APFC
- FPEB
- MI
- RTKP
- RD
- VTK
- WR

Wood Tiered Drawer Storage or Kit

(price book pg. E79)

Installed

WTCD15
WTCD18
WTCD21
WTCD24

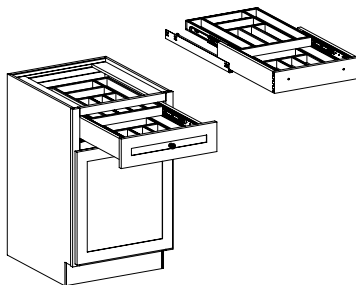
Upper/Lower Sections

5/5
6/6
7/7
8/8

Kit

WTCDK15 5/5
WTCDK18 6/6
WTCDK21 7/7
WTCDK24 8/8

- Sliding top tray
- Kit includes drawer box and complete set of drawer runners
- Available factory installed for 24" deep cabinets only
- Example:
Factory Installed—BD15-WTCD15
Field Installed Kit—WTCDK15



- PE
- APC
- APFC
- FPEB
- MI
- RTKP
- RD
- VTK
- WR

PDO

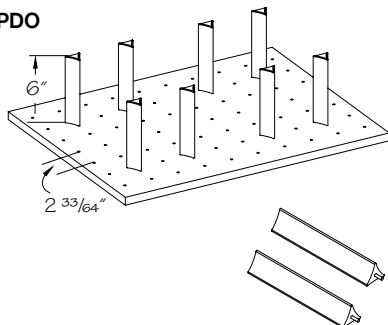
Pegged Drawer Organizer

(price book pg. E79)

Kit

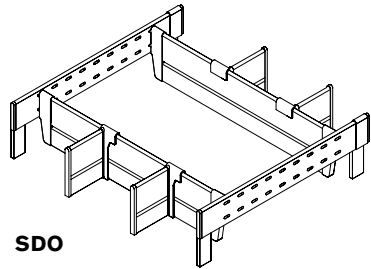
PDO24 Six pegs
PDO27 Six pegs
PDO30 Eight pegs
PDO33 Eight pegs
PDO36 Ten pegs
PDO42 Ten pegs
Pack-Additional pegs
PDOPK Two pegs

- 3/4" natural birch plywood floor
- Sized to fit 24" deep drawers
- Trimmable
- Shipped separately

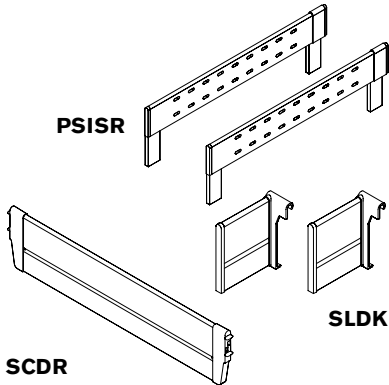


PDOPK

- PE
- APC
- APFC
- FPEB
- MI
- RTKP
- RD
- VTK
- WR



SDO



PSISR

SCDR

SLDK

Stainless Drawer Organizer

(price book pg. E80)

Kit

- SDO18** Two Stainless Lateral Dividers
- SDO21** Two Stainless Lateral Dividers
- SDO24** Four Stainless Lateral Dividers
- SDO27** Four Stainless Lateral Dividers
- SDO30** Six Stainless Lateral Dividers
- SDO33** Six Stainless Lateral Dividers
- SDO36** Eight Stainless Lateral Dividers
- SDO42** Eight Stainless Lateral Dividers

Interior Side Rails-pair

PSISR24

Cross Divider Rail

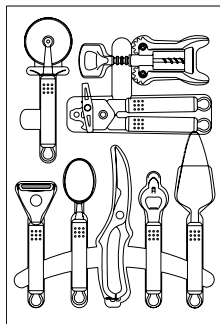
- SCDR18**
- SCDR21**
- SCDR24**
- SCDR27**
- SCDR30**
- SCDR33**
- SCDR36**
- SCDR42**

Lateral Divider Kit-two per kit

SLDK

- Each kit contains two Stainless Interior Side Rails (PSISR) and two Stainless Cross Divider Rails (SCDR). Also includes Stainless Lateral Dividers, quantity as noted.
- Fits 7" and 11" drawers
- **Not** available in Reduced Depth (RD)

PE
APC
APFC
FPEB
MI
RTKP
RD
VTK
WR



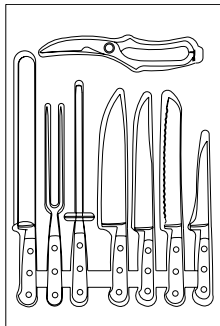
Utensil Ensemble

(price book pg. E80)

UE18

- Fits 18" wide 24" deep cabinets only
- Solid wood base
- Field installation only
- Includes Pizza Cutter, Cork Screw, Can Opener, Peeler, Ice Cream Scoop, Kitchen Shears, Bottle Opener, Pie Server

PE
APC
APFC
FPEB
MI
RTKP
RD
VTK
WR



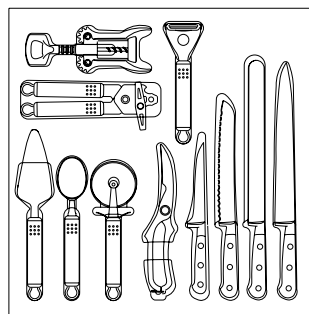
Carving Ensemble

(price book pg. E80)

CE18

- Fits 18" wide 24" deep cabinets only
- Solid wood base
- Field installation only
- Includes Kitchen Shears, Serving Fork, Blade Sharpener, five Knives

PE
APC
APFC
FPEB
MI
RTKP
RD
VTK
WR



Utensil and Carving Ensemble

(price book pg. E80)

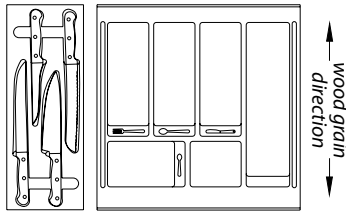
UCE24

- Fits 24" wide cabinets only
- Solid wood base
- Field installation only
- Includes four Knives, Can Opener, Peeler, Pizza Cutter, Ice Cream Scoop, Pie Server, Cork Screw, Kitchen Shears

PE
APC
APFC
FPEB
MI
RTKP
RD
VTK
WR

Tiered Cutlery Storage and Knife Ensemble

(price book pg. E80)



TCSKE24

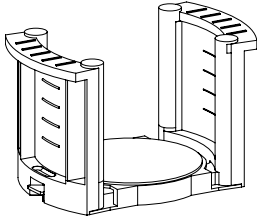
- Fits 24" wide cabinets only
- Solid wood and metal base
- Field installation only
- Includes four knives in the top sliding portion and a six compartment bottom for cutlery storage



PE
APC
APFC
FPFB
MI
RTKP
RD
VTK
WR

Plate Caddy

(price book pg. E80)



PTC

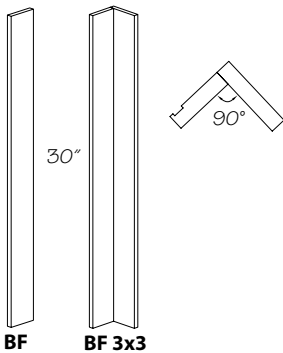
- 6 3/4" high
- Metal and gray plastic
- Holds plates 7"–12 1/2" in diameter
- Kit includes two caddies
- Field installation only



PE
APC
APFC
FPFB
MI
RTKP
RD
VTK
WR

Base Filler

(price book pg. E80)



BF3

BF6

BF3X3

- 3/4" solid wood
- Quartersawn door styles will be supplied in plain sawn wood
- Laminates are painted hardwood
- No toe kick

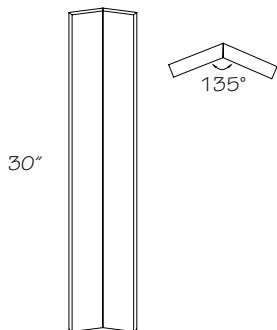


Remember to use fillers with full overlay door styles, especially square edge profiles, when cabinets will be against a return wall, box, pilaster or column. Use fillers on all overlays if there is case molding on a return wall. This will ensure proper clearance for drawers and roll-out tray access.

PE
APC
APFC
FPFB
MI
RTKP
RD
VTK
WR

Base Inside Corner Angle Filler

(price book pg. E80)



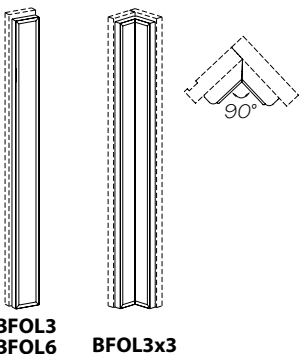
ICAF30

- 3/4" solid wood
- Quartersawn door styles will be supplied in plain sawn wood
- Finished one side only
- **Not** available in laminate door styles

PE
APC
APFC
FPFB
MI
RTKP
RD
VTK
WR

Base Filler Overlay

(price book pg. E80)



BFOL3

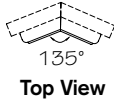
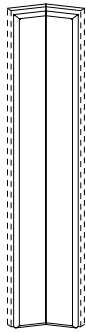
BFOL6

* BFOL3X3

- * Shipped as two pieces. Must be field trimmed and mitered.

- Available in full overlay door styles only
- Filler ordered separately
- Filler overlay has routed door profile and is solid wood or laminate
- Quartersawn oak door styles are 3/4" quartersawn solid wood with matching door profile on all sides. Quartersawn cherry and maple door styles are quartersawn wood veneer.

PE
APC
APFC
FPFB
MI
RTKP
RD
VTK
WR



Top View

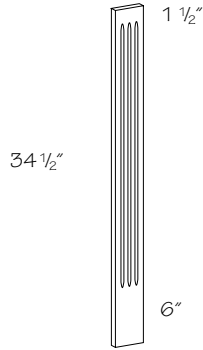
Base Inside Corner Angle Filler Overlay

(price book pg. E80)

ICAFOL30

- 3/4" solid wood
- Available in full overlay door styles only
- Filler overlay has routed door profile and is solid wood
- Quartersawn oak door styles are 3/4" quartersawn solid wood with matching door profile on all sides. Quartersawn cherry and maple door styles are quartersawn wood veneer.
- Filler ordered separately
- Shipped as two pieces
- **Not** available in laminate door styles

PE
APC
APFC
FPEB
MI
RTKP
RD
VTK
WR



Base Fluted Filler

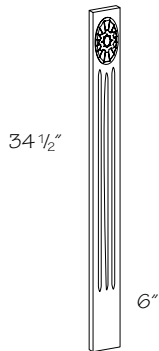
(price book pg. E80)

BFF3

BFF6

- 3/4" solid wood
- Laminates are painted hardwood
- **Not** available in Morristown; Brockton, Melrose and Putnam Oak are plain sawn

PE
APC
APFC
FPEB
MI
RTKP
RD
VTK
WR



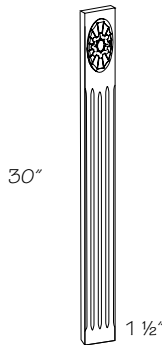
Rosette Base Fluted Filler

(price book pg. E80)

RBFF3

- 3/4" solid wood
- Applied decorative rosette
- Laminates are painted hardwood
- **Not** available in Morristown; Brockton, Melrose and Putnam Oak are plain sawn

PE
APC
APFC
FPEB
MI
RTKP
RD
VTK
WR



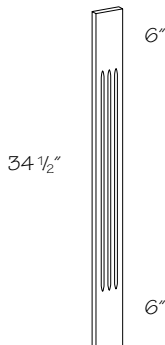
Rosette Fluted Base Filler Overlay

(price book pg. E80)

RFBFOL3

- 3/4" solid wood
- Applied decorative rosette
- Laminates are painted hardwood
- **Not** available in Morristown; Brockton, Melrose and Putnam Oak are plain sawn

PE
APC
APFC
FPEB
MI
RTKP
RD
VTK
WR



Plain Capital Base Fluted Filler

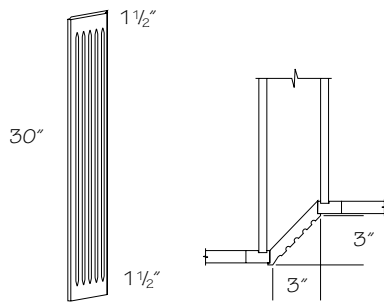
(price book pg. E80)

PCBFF3

PCBFF6

- 3/4" solid wood
- Laminates are painted hardwood
- **Not** available in Morristown; Brockton, Melrose and Putnam Oak are plain sawn

PE
APC
APFC
FPEB
MI
RTKP
RD
VTK
WR



Fluted Filler Extension

Filler Extension Application

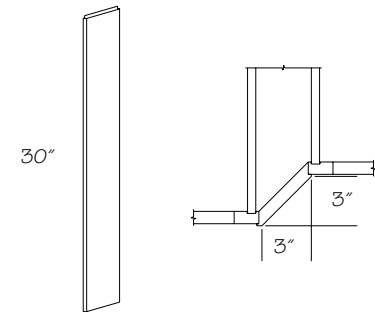
Fluted Filler Extension

(price book pg. E80)

FFE3-30

- 3/4" solid wood
- Laminates are painted hardwood
- **Not** available in Morristown; Brockton, Melrose and Putnam Oak are plain sawn

PE
APC
APFC
FPEB
MI
RTKP
RD
VTK
WR



Filler Extension

Filler Extension Application

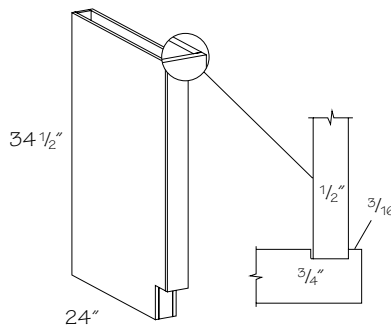
Filler Extension

(price book pg. E80)

FE3-30

- 3/4" solid wood
- Laminates are painted hardwood
- Quartersawn door styles will be supplied in plain sawn wood

PE
APC
APFC
FPEB
MI
RTKP
RD
VTK
WR



Base Box

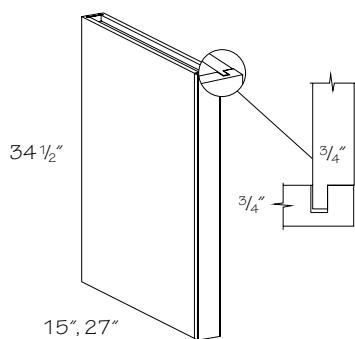
(price book pg. E80)

Viraguard

BB3

- Finished front and both sides
- Reversible, may be installed left or right
- Quartersawn door styles will be supplied in plain sawn wood
- ☆ RTKPB, RTKPL, RTKPR **not** available

● PE
● APC
● APFC
● FPEB
MI
☆ RTKP
● RD
● VTK
● WR



Base Column

(price book pg. E80)

BC315

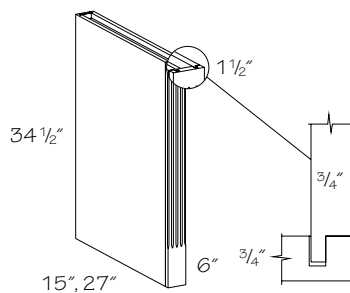
BC615

BC327

BC627

- Front is 3/4"
- Quartersawn oak door styles have 3/4" solid quartersawn wood front and quartersawn wood veneer end panels
- Quartersawn cherry and maple door styles have 3/4" solid plain sawn wood front and plain sawn wood veneer end panels
- Finished front and both sides
- Reversible, may be installed left or right
- ☆ APFC standard when APC option is selected

PE
● APC
☆ APFC
❖ FPEB
MI
RTKP
● RD
VTK
❖ WR



Base Fluted Column

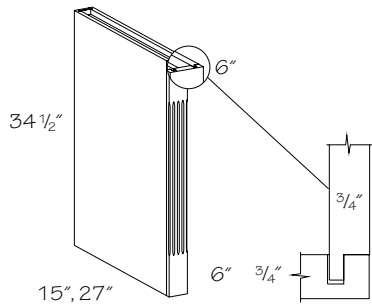
(price book pg. E81)

BFC315

BFC327

- Finished front and both sides
- Fluted front is 3/4" solid wood; plain sawn wood supplied for quartersawn door styles
- Quartersawn oak door styles have quartersawn wood veneer end panels. Quartersawn cherry and maple door styles plain sawn end panels.
- Reversible, may be used on either right or left end
- **Not** available in Morristown
- ☆ APFC standard when APC option is selected

PE
● APC
☆ APFC
❖ FPEB
MI
RTKP
● RD
VTK
❖ WR



Plain Capital Base Fluted Column

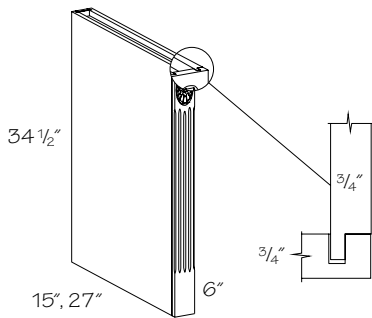
(price book pg. E81)

PCBFC315

PCBFC327

- Fluted front is 3/4" solid wood; plain sawn wood supplied for quartersawn door styles
- Quartersawn oak door styles have quartersawn wood veneer end panels. Quartersawn cherry and maple door styles plain sawn end panels.
- Finished front and both sides
- Reversible, may be used on either right or left end
- **Not** available in Morristown
- ☆ APFC standard when APC option is selected

PE
● APC
☆ APFC
❖ FPBE
MI
RTKP
● RD
VTK
❖ WR



Rosette Base Fluted Column

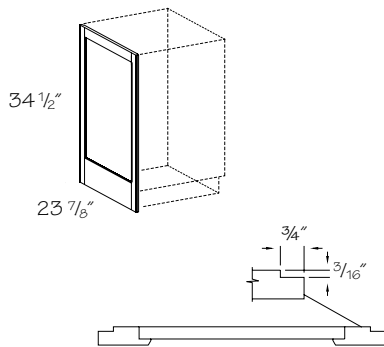
(price book pg. E81)

RBFC315

RBFC327

- Fluted front is 3/4" solid wood; plain sawn wood supplied for quartersawn door styles
- Applied decorative rosette
- Quartersawn oak door styles have quartersawn wood veneer end panels. Quartersawn cherry and maple door styles plain sawn end panels.
- Finished front and both sides
- Reversible, may be used on either right or left end
- Laminates are painted hardwood
- **Not** available in Morristown
- ☆ APFC standard when APC option is selected

PE
● APC
☆ APFC
❖ FPBE
MI
RTKP
● RD
VTK
❖ WR



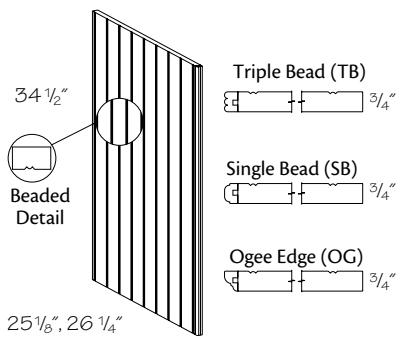
Universal Base End Panel

(price book pg. E81)

UBEP

- 3/4" thick frame with square recessed panel
- Field installation only
- Reversible, may be used on either right or left end
- **Not** available in laminate door styles
- **Not** available in Morristown; Brockton, Melrose and Putnam Oak are plain sawn wood
- ☆ Wide Bottom Rail—field notch for toe kick

PE
APC
APFC
FPBE
MI
RTKP
RD
VTK
☆ WR



Matching Base End Panel Beaded

(price book pg. E81)

MBEPBE •SB•TB•OG

25 1/8" x 34 1/2" x 3/4"

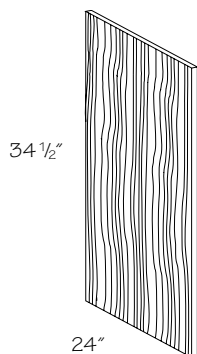
Peninsula

PMBEPBE •SB•TB•OG

26 1/4" x 34 1/2" x 3/4"

- 3/4" solid wood
- Grooves are 3" on center
- Adds 3/4" to cabinet width
- Laminates are painted hardwood
- **Note:** Specify Single Bead, Triple Bead or Ogee Edge for front edge treatment
- **Not** available in Morristown; Brockton, Melrose and Putnam Oak are plain sawn wood

PE
APC
APFC
FPBE
MI
RTKP
RD
VTK
WR



Base End Panel

(price book pg. E81)

Viraguard

■ **VBEP** 24" x 34 1/2" x 3/4"

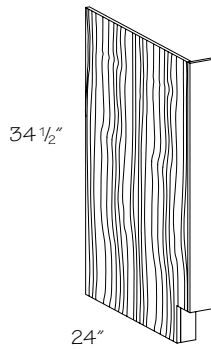
Wood Veneer

▲ **WBEP** 24" x 34 1/2" x 7/8"

- **Not** available in Morristown; Brockton, Melrose and Putnam Oak are plain sawn
- ※ Laminates are painted hardwood
- ▲ Quartersawn cherry and maple door styles supplied plain sawn.

- Edgebanded one long edge
- Finished to match exterior both sides
- ☆ APC panel only available in wood veneer
- ☆ APC panel is 11/16" thick

PE
☆ APC
APFC
FPBE
MI
RTKP
RD
VTK
WR



Base End Panel w/Stile

(price book pg. E81)

Specify R or L

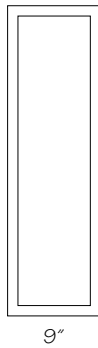
BEP 1 1/2 R or L

BEP3 R or L

BEP6 R or L

- Exterior finished to match, interior is Natural Birch Viraguard
- Left shown

- PE
- APC
- APFC
- FPEB
- MI
- RTKP
- RD
- VTK
- WR



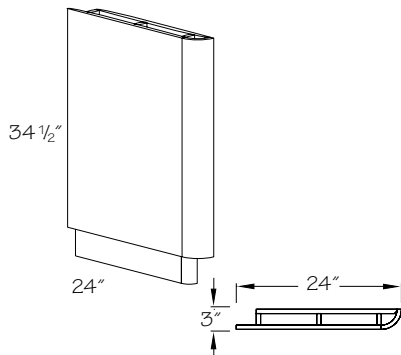
Overlay Panel For Base Blind Corner Cabinets

(price book pg. E81)

OPWBC30

- Available in full overlay door styles only
- Field miter
- Solid wood or laminate with door edge profile four sides
- Quartersawn oak door styles are 3/4" quartersawn wood with matching door profile on all sides. Quartersawn cherry and maple door styles are quartersawn wood veneer.

- PE
- APC
- APFC
- FPEB
- MI
- RTKP
- RD
- VTK
- WR



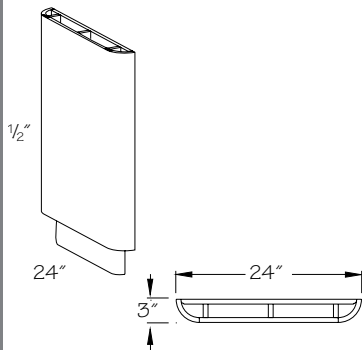
Base Curved End Panel

(price book pg. E81)

BEP3 CEP

- 5/8" wood veneer construction
- Reversible, may be installed left or right
- Curved matching toe kick included and shipped separately
- **Not** available in Morristown; Brockton, Melrose and Putnam Oak are plain sawn

- PE
- APC
- APFC
- FPEB
- MI
- RTKP
- RD
- VTK
- WR



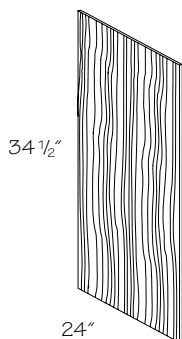
Peninsula Base Curved End Panel

(price book pg. E81)

PBEP3 CEP

- 5/8" wood veneer construction
- Reversible, may be used on either right or left end
- Curved matching toe kick included and shipped separately
- **Not** available in Morristown; Brockton, Melrose and Putnam Oak are plain sawn

- PE
- APC
- APFC
- FPEB
- MI
- RTKP
- RD
- VTK
- WR



Base Skin-Viraguard

(price book pg. D116, E81, F39, J2)

VSK2434 23 1/4" x 34 1/2" x 1/8"

- Viraguard paneling is finished one side except as indicated
- Edges are unfinished with no edgebanding
- **Not** available in Morristown; Brockton, Melrose and Putnam Oak are plain sawn

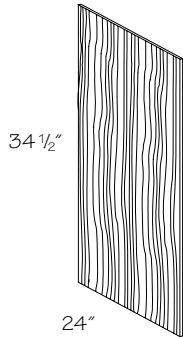


Remember that most flat panels will not take glaze finishes like doors and molding due to little or no hang-up. When choosing a glaze finish, consider using a matching end panel on exposed ends of cabinets.

- PE
- APC
- APFC
- FPEB
- MI
- RTKP
- RD
- VTK
- WR

Base Skin-Wood Veneer*(price book pg. D116, E81, F40, J1)***WSK2434** 23 1/4" x 34 1/2" x 3/16"

- Plywood construction
- Quartersawn oak door styles are quartersawn wood veneer
- Quartersawn Cherry and Maple door styles supplied plain sawn
- Finished one side only
- Edges are unfinished with no edgebanding



PE
APC
APFC
FPEB
MI
RTKP
RD
VTK
WR

Base Toe Kick*(price book pg. E81)*

Black

BLTK8

- 1/8" thick hardboard, 4 1/2" high

■ **MTK8**

- 1/8" thick hardboard, 4 1/2" high, laminated with matching Viraguard

Aluminum finish

MTK8 -A

- 1/16" thick flexible laminate, 4 1/2" high

Stainless finish

MTK8 -S

- 1/16" thick flexible laminate, 4 1/2" high

▲: **WMTK8**

- 3/16" thick wood veneer, 4 1/2" high, to match

- **Not** available in Morristown; Melrose and Brockton are plain sawn wood

- ▲ Quartersawn oak door styles are quartersawn wood veneer. Quartersawn Cherry and Maple door styles supplied plain sawn

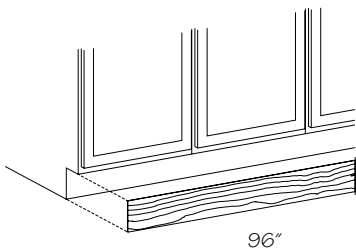
- ※ Laminates are painted hardwood

- Edges are unfinished
- Field installation only
- **Note:** Matching toe kick is **not** automatically supplied with cabinets. It must be ordered as a separate item.



Apply Quarter Round molding (QR8) at the base of Matching Toe Kicks or Wood Matching Toe Kicks (MTK8 or WMTK8) for a nice, finished look.

PE
APC
APFC
FPEB
MI
RTKP
RD
VTK
WR

**Matching Base End Panel***(price book pg. E82)*

Specify R or L

MBEP R or L

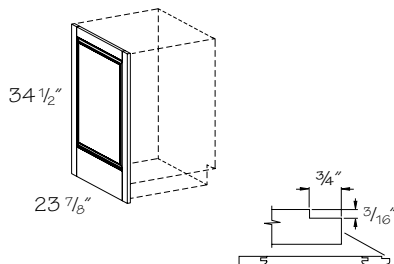
Peninsula

PMBEP

When designing with Matching End Panels the reveal will differ from the cabinet door height reveal. Matching End Panels cover the entire side of the cabinet. See drawing for exact measurements.

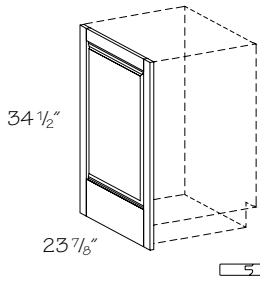
- 3/4" thick panel with matching door edge profile on front edge only
- Peninsula panel has routed door profile front and back
- Laminate and slab door styles do **not** have grooves and will **not** fit flush against 1/2" end panel. A 3/16" shim is recommended.
- Left shown
- Field installation only
- **Not** available in Morristown
- **Not** available in mitered door styles; use End Panel-Mitered

- ☆ Wide Bottom Rail—field notch for toe kick



Standard edge detail—fits flush against 1/2" end panel and behind face frame

PE
APC
APFC
FPEB
MI
RTKP
RD
VTK
☆ WR



Matching Base End Panel—Square Edges

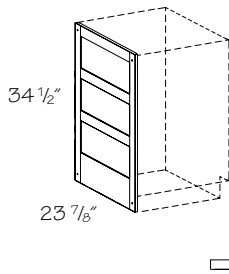
(price book pg. E82)

MBEP •S

- 3/4" thick panel with square edge front and back
- Reversible, may be installed left or right
- Field installation only
- No frame recess dado
- **Not** available in Morristown
- **Not** available in laminate door styles
- **Not** available in mitered door styles; use End Panel-Mitered
- ☆ Wide Bottom Rail—field notch for toe kick

Will not fit flush against 1/2" end panel, a 3/16" shim is recommended

PE
APC
APFC
FPEB
MI
RTKP
RD
VTK
☆ WR



Recessed Matching Base End Panel

(price book pg. E82)

RM-BEP •M

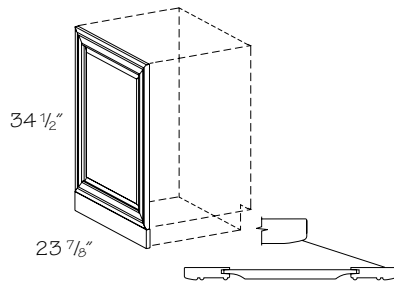
Peninsula

PRMBEP •M

- Quartersawn solid wood
- 3/4" thick
- Peninsula panel has routed door profile front and back
- Recessed panel grain runs horizontally
- Reversible, may be installed left or right
- Field installation only
- Available in Morristown door style only
- ☆ Wide Bottom Rail—field notch for toe kick

will not fit flush against 1/2" end panel, 3/16" shim is recommended

PE
APC
APFC
FPEB
MI
RTKP
RD
VTK
☆ WR



Matching Base End Panel—Mitered

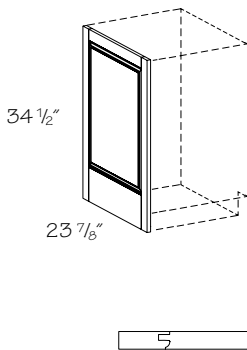
(price book pg. E82)

M-MBEP

- 3/4" thick panel with matching door edge profile on four sides
- Available in mitered door styles only
- Reversible, may be used on either right or left end
- Field installation only
- Toe kick shipped unattached
- ☆ Wide Bottom Rail—field notch for toe kick

Will not fit flush against 1/2" end panel, a 3/16" shim is recommended

PE
APC
APFC
FPEB
MI
RTKP
RD
VTK
☆ WR



Furniture Matching Base End Panel


(price book pg. E82)

Specify R or L

FM-BEP R or L

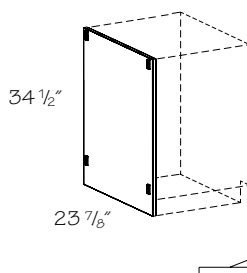
Peninsula

FPM-BEP

 When designing with Matching End Panels the reveal will differ from the cabinet door height reveal. Matching End Panels cover the entire side of the cabinet. See drawing for exact measurements.

- 3/4" thick panel with matching door edge profile on front edge only
- Peninsula panel has routed door profile front and back
- For use with Furniture Plywood Ends (FPEB)—flush ends
- Left shown
- Field installation only
- **Not** available in Morristown
- **Not** available in mitered door styles; use End Panel-Mitered
- ☆ Wide Bottom Rail—field notch for toe kick

PE
APC
APFC
FPEB
MI
RTKP
RD
VTK
☆ WR



Slab Matching Base End Panel

(price book pg. E82)

SM-BEP •M

Peninsula

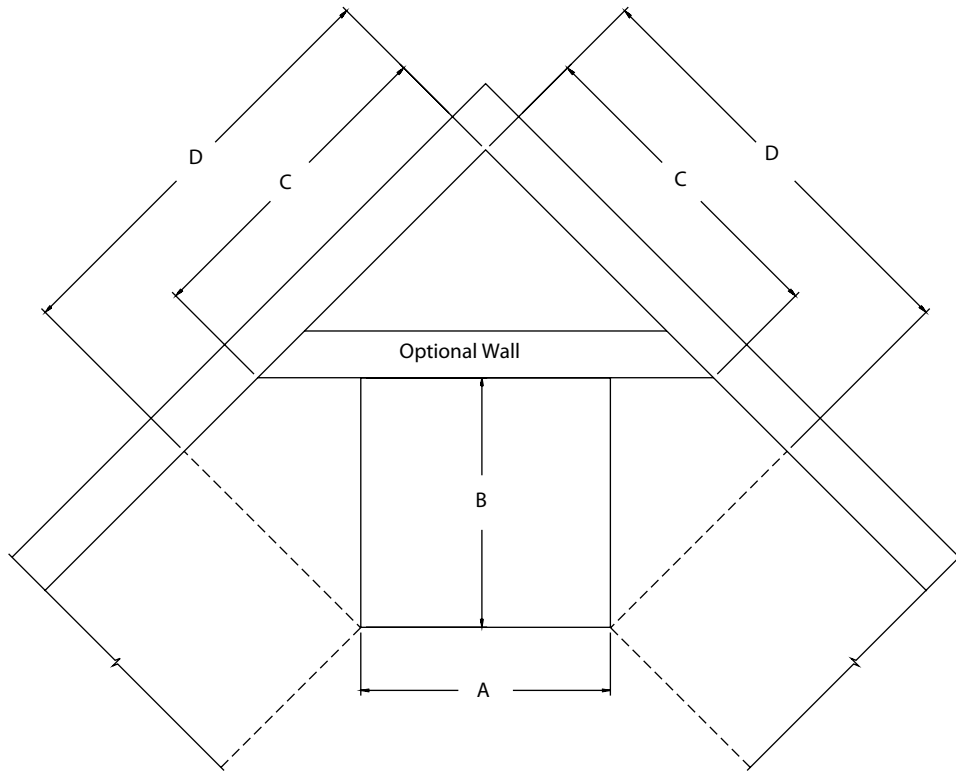
PSM-BEP •M

- Quartersawn solid wood
- 3/4" thick
- Reversible, may be installed left or right
- Field installation only
- Available in Morristown door style only
- ☆ Wide Bottom Rail—field notch for toe kick

will not fit flush against 1/2" end panel, 3/16" shim is recommended

PE
APC
APFC
FPEB
MI
RTKP
RD
VTK
☆ WR

Diagonal Installation of Standard Base Cabinets



Note: Fillers are always recommended at both sides of cabinet junction points to allow for wall variations and drawer clearances.

Cabinet Width A	Cabinet Depth B	Wall Dimensions C	Wall Dimensions D
12"	24"	22 ½"	32 ½"
15"	24"	24 ¾"	34 ¾"
18"	24"	26 ¾"	36 ¾"
21"	24"	28 ¾"	38 ¾"
24"	24"	31"	41"
27"	24"	33 ½"	43 ½"
30"	24"	35 ½"	45 ½"
33"	24"	37 ¾"	47 ¾"
36"	24"	39 ½"	49 ½"
39"	24"	41 ¾"	51 ¾"
42"	24"	43 ¾"	53 ¾"
45"	24"	45 ¾"	55 ¾"
48"	24"	48"	58"