

Tall Cabinets

Construction Options and Modifications

- --- Available with an upcharge
- ☆ --- Available with exceptions
- ◆ --- Included as standard
- (Blank) - Not available



Look for the Harmony® storage solutions symbol

Note: Standard tall cabinet box depth is 12" or 24" unless stated otherwise. Add door thickness with bumpers for total depth.

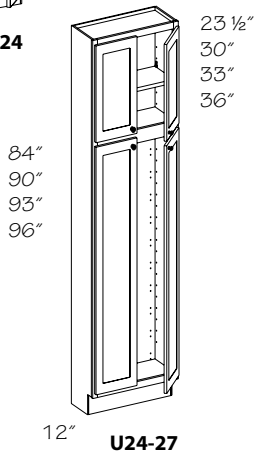
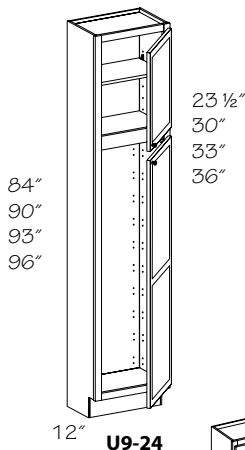
When BUTT is in all capitals, it must be included as part of your ordering nomenclature. A (Butt) in parentheses is for your information and isn't required on an order form.

Material dimensions may be nominal based on lumber industry standards.

Specifications subject to change without notice.

- PE --- Plywood Ends
- APC --- All Plywood Construction
- APFC --- All Plywood Furniture Construction
- DE --- Integrated Decorative End
- FPEB --- Furniture Plywood Ends
- GD --- Glass Doors
- IF --- Inverted Frame
- MI --- Matching Interior
- RD --- Reduced Depth
- RTK --- Recessed Toe Kick
- VTK --- Void Toe Kick
- WR --- Wide Bottom Rail
- XS --- Extended Stile

MSP	24	24	84
code	width	depth	height



Utility Cabinets 12" Deep

(price book pg. F2, F4)
Specify R or L
84" High

- * **U91284 R or L**
- U121284 R or L**
- U151284 R or L**
- U181284 R or L**
- U211284 R or L**
- U241284 R or L**
- U241284 BUTT**
- U271284 (Butt)**
- ◆ **U301284**
- U301284 BUTT**
- ◆ **U331284**
- U331284 BUTT**
- ◆ **U361284**
- U361284 BUTT**

90" High

- * **U91290 R or L**
- U121290 R or L**
- U151290 R or L**
- U181290 R or L**
- U211290 R or L**
- U241290 R or L**
- U241290 BUTT**
- U271290 (Butt)**
- ◆ **U301290**
- U301290 BUTT**
- ◆ **U331290**
- U331290 BUTT**
- ◆ **U361290**
- U361290 BUTT**

- * Doors are square except full overlay arch door styles. Evana Cathedral and Findlay Cathedral door styles will be square. Greenwich, Harlowe, Smithton and Vanderbilt doors will have a solid, recessed flat panel.
- ◆ 3" center stile

Color coding indicates new product, size or code

93" High

- U91293 R or L**
- U121293 R or L**
- U151293 R or L**
- U181293 R or L**
- U211293 R or L**
- U241293 R or L**
- U241293 BUTT**
- U271293 (Butt)**

◆ **U301293**

U301293 BUTT

◆ **U331293**

U331293 BUTT

◆ **U361293**

U361293 BUTT

96" High

- * **U91296 R or L**
- U121296 R or L**
- U151296 R or L**
- U181296 R or L**
- U211296 R or L**
- U241296 R or L**
- U241296 BUTT**
- U271296 (Butt)**

◆ **U301296**

U301296 BUTT

◆ **U331296**

U331296 BUTT

◆ **U361296**

U361296 BUTT

- Includes adjustable shelves in upper section: 84" high—one shelf; 90" & 93" high—two shelves; 96" high—three shelves
- Shelf kit for lower section must be ordered separately; see Shelving section of this book
- No center rail on tall door for Astoria, Argonne, Ashfield, Chadwick, Courtney, Dresden, Evana, Evana Cathedral, Findlay, Findlay Cathedral, Lindsay, Lockeford, Northwicke, Parker House, Rutherford, Sheridan and Sydney door styles
- ☆ When Inverted Frame (IF) is chosen for U9, 12, 15, 21, 27 and 30, upper doors will be square even in arched door styles
- ☆ WR and RTK **not** available on 93" & 96" high cabinets
- ☆ Toe kick is shipped separately on 93" & 96" high cabinets
- ☆ Glass doors available for top doors only



Remember to order a 3/16" skin (WSK) for the exposed ends of 93" & 96" high tall cabinets to conceal the seam between the loose toe kick and the cabinet.

- PE
- APC
- APFC
- DE
- FPEB
- ☆ GD
- ☆ IF
- MI
- RD
- ☆ RTK
- ☆ VTK
- ☆ WR
- XS

Utility Cabinets 24" Deep

(price book pg. F4, F6, F8)

Specify R or L
84" High

- * U92484 R or L
- U122484 R or L
- U152484 R or L
- U182484 R or L
- U212484 R or L
- U242484 R or L
- U242484 BUTT
- U272484 (Butt)

- ◆ U302484
- U302484 BUTT
- ◆ U332484
- U332484 BUTT
- ◆ U362484
- U362484 BUTT

90" High

- * U92490 R or L
- U122490 R or L
- U152490 R or L
- U182490 R or L
- U212490 R or L
- U242490 R or L
- U242490 BUTT
- U272490 (Butt)

- ◆ U302490
- U302490 BUTT
- ◆ U332490
- U332490 BUTT
- ◆ U362490
- U362490 BUTT

- * Doors are square except full overlay arch door styles. Evana Cathedral and Findlay Cathedral door styles will be square. Greenwich, Harlowe, Smithton and Vanderbilt doors will have a solid, recessed flat panel.

- ◆ 3" center stile

Color coding indicates new product, size or code

93" High

- U92493 R or L
- U122493 R or L
- U152493 R or L
- U182493 R or L
- U212493 R or L
- U242493 R or L
- U242493 BUTT
- U272493 (Butt)

- ◆ U302493
- U302493 BUTT
- ◆ U332493
- U332493 BUTT
- ◆ U362493
- U362493 BUTT

96" High

- * U92496 R or L
- U122496 R or L
- U152496 R or L
- U182496 R or L
- U212496 R or L
- U242496 R or L
- U242496 BUTT
- U272496 (Butt)

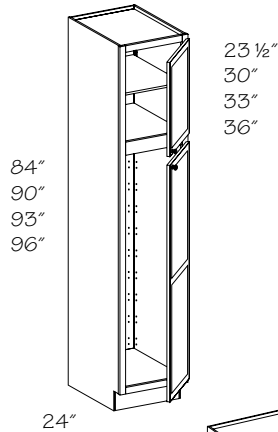
- ◆ U302496
- U302496 BUTT
- ◆ U332496
- U332496 BUTT
- ◆ U362496
- U362496 BUTT

- Includes adjustable shelves in upper section: 84" high—one shelf; 90" & 93" high—two shelves; 96" high—three shelves
- Shelf kit for lower section must be ordered separately; see Shelving section of this book
- No center rail on tall door for Astoria, Argonne, Ashfield, Chadwick, Courtney, Dresden, Evana, Evana Cathedral, Findlay, Findlay Cathedral, Lindsay, Lockeford, Northwicke, Parker House, Rutherford, Sheridan and Sydney door styles
- Factory installed Roll-out Trays (ROT) are **not** available on Utility Cabinets wider than 24"
- ☆ When Inverted Frame (IF) is chosen for U9, 12, 15, 21, 27 and 30, upper doors will be square even in arched door styles
- ☆ WR and RTK **not** available on 93" & 96" high cabinets
- ☆ Toe kick is shipped separately on 93" & 96" high cabinets
- ☆ Glass doors available for top doors only

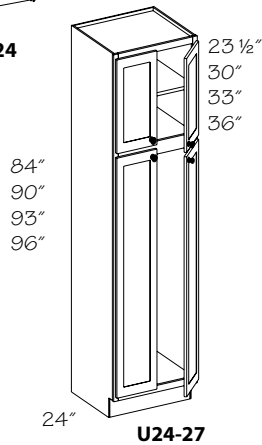


Remember to order a 3/16" skin (WSK) for the exposed ends of 93" & 96" high tall cabinets to conceal the seam between the loose toe kick and the cabinet.

●	PE
●	APC
●	APFC
●	DE
●	FPEB
☆	GD
☆	IF
●	MI
●	RD
☆	RTK
☆	VTK
☆	WR
●	XS



U9-24



U24-27

Utility Cabinets 60 1/2" High 12" Deep

(price book pg. F8)

- * U91260 R or L
- U121260 R or L
- U151260 R or L
- U181260 R or L
- U211260 R or L
- U241260 BUTT
- U241260 R or L
- U271260 (Butt)

- ◆ U301260
- ◆ U331260
- ◆ U361260
- U301260 BUTT
- U331260 BUTT
- U361260 BUTT

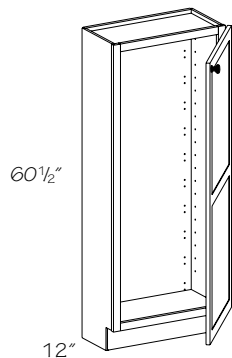
- * Greenwich, Harlowe, Smithton and Vanderbilt doors will have a solid, recessed flat panel.

- ◆ 3" center stile

Color coding indicates new product, size or code

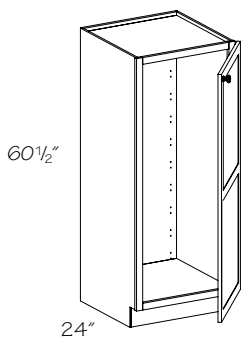
- No shelf
- Shelf kit must be ordered separately; see Shelving section of this book
- All door styles furnished square
- No center rail for Astoria, Argonne, Ashfield, Chadwick, Courtney, Dresden, Evana, Evana Cathedral, Findlay, Findlay Cathedral, Lindsay, Lockeford, Northwicke, Parker House, Rutherford, Sheridan and Sydney door styles

●	PE
●	APC
●	APFC
●	DE
●	FPEB
GD	GD
IF	IF
●	MI
●	RD
●	RTK
●	VTK
●	WR
●	XS



Utility Cabinets 60 1/2" High 24" Deep

(price book pg. F8)



- ※ **U92460 R or L**
 - U122460 R or L**
 - U152460 R or L**
 - U182460 R or L**
 - U212460 R or L**
 - U242460 R or L**
 - U242460 BUTT**
 - U272460 (Butt)**
 - ◆ **U302460**
 - U302460 BUTT**
 - ◆ **U332460**
 - U332460 BUTT**
 - ◆ **U362460**
 - U362460 BUTT**
- ※ Greenwich, Harlowe, Smithton and Vanderbilt doors will have a solid, recessed flat panel.
- ◆ 3" center stile

Color coding indicates new product, size or code

- No shelf
- Shelf kit must be ordered separately; see Shelving section of this book
- All door styles furnished square
- No center rail for Astoria, Argonne, Ashfield, Chadwick, Courtney, Dresden, Evana, Evana Cathedral, Findlay, Findlay Cathedral, Lindsay, Lockeford, Northwicke, Parker House, Rutherford, Sheridan and Sydney door styles
- Factory installed Roll-out Trays (ROT) are **not** available on Utility Cabinets wider than 24"

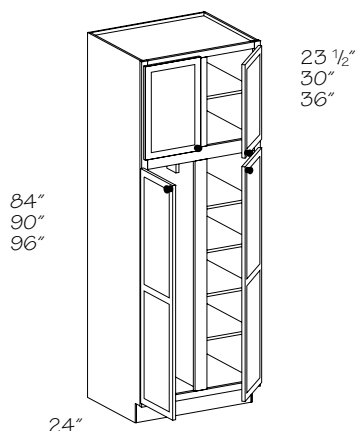


Remember to attach a Mullion Strip Utility Bottom (MSUB) to tall cabinets 30" or wider when planning to field install roll-out trays. This will remove the center stile and replace it with a mullion strip on the left door.

- PE
- APC
- APFC
- DE
- FPFB
- GD
- IF
- MI
- RD
- RTK
- VTK
- WR
- XS

Utility Combination

(price book pg. F8)



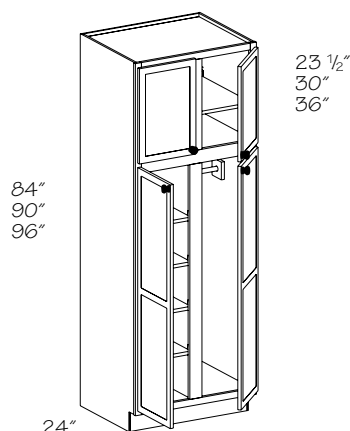
- 84" High
- ※ **UC242484 BUTT**
 - UC302484**
 - UC362484**
- 90" High
- ※ **UC242490 BUTT**
 - UC302490**
 - UC362490**
- 96" High
- ※ **UC242496 BUTT**
 - UC302496**
 - UC362496**
- ※ Roll-out Trays (ROT) **not** available

- Four adjustable shelves and one closet rod included
- Includes adjustable shelves in upper section: 84" high—one shelf; 90" high—two shelves; 96" high—three shelves
- No center rail on tall door for Astoria, Argonne, Ashfield, Chadwick, Courtney, Dresden, Evana, Evana Cathedral, Findlay, Findlay Cathedral, Lindsay, Lockeford, Northwicke, Parker House, Rutherford, Sheridan and Sydney door styles
- ☆ WR and RTK **not** available on 93" & 96" high cabinets
- ☆ Toe kick is shipped separately on 96" high cabinets
- ☆ Glass doors available for top doors only

- PE
- APC
- APFC
- DE
- FPFB
- ☆ GD
- IF
- MI
- RD
- ☆ RTK
- ☆ VTK
- ☆ WR
- XS

Utility Combination—Shelves Left

(price book pg. F10)



- 84" High
- ※ **UC242484 BUTT-SL**
 - UC302484 •SL**
 - UC362484 •SL**
- 90" High
- ※ **UC242490 BUTT-SL**
 - UC302490 •SL**
 - UC362490 •SL**
- 96" High
- ※ **UC242496 BUTT-SL**
 - UC302496 •SL**
 - UC362496 •SL**
- ※ Roll-out Trays (ROT) **not** available

- Four adjustable shelves and one closet rod included
- Includes adjustable shelves in upper section: 84" high—one shelf; 90" high—two shelves; 96" high—three shelves
- No center rail on tall door for Astoria, Argonne, Ashfield, Chadwick, Courtney, Dresden, Evana, Evana Cathedral, Findlay, Findlay Cathedral, Lindsay, Lockeford, Northwicke, Parker House, Rutherford, Sheridan and Sydney door styles
- ☆ WR and RTK **not** available on 93" & 96" high cabinets
- ☆ Toe kick is shipped separately on 96" high cabinets
- ☆ Glass doors available for top doors only

- PE
- APC
- APFC
- DE
- FPFB
- ☆ GD
- IF
- MI
- RD
- ☆ RTK
- ☆ VTK
- ☆ WR
- XS

Utility Roll-out Tray*(price book pg. F10, F12, F14)*Specify R or L
84" High**U152484 R or L-4ROT****U182484 R or L-4ROT****U212484 R or L-4ROT****U242484 R or L-4ROT****U242484 BUTT-4ROT****U272484 -4ROT****U302484 -4ROT****U302484 BUTT-4ROT****U332484 -4ROT****U332484 BUTT-4ROT****U362484 -4ROT****U362484 BUTT-4ROT**

90" High

U152490 R or L-4ROT**U182490 R or L-4ROT****U212490 R or L-4ROT****U242490 R or L-4ROT****U242490 BUTT-4ROT****U272490 -4ROT****U302490 -4ROT****U302490 BUTT-4ROT****U332490 -4ROT****U332490 BUTT-4ROT****U362490 -4ROT****U362490 BUTT-4ROT**

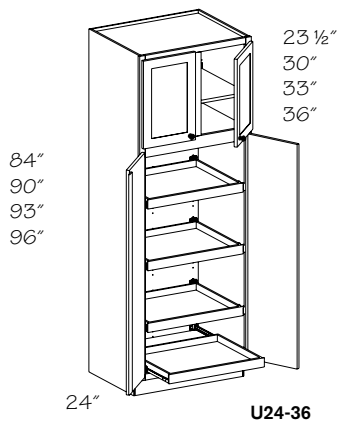
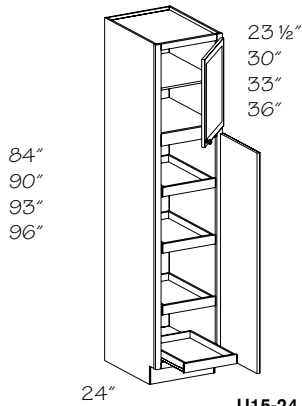
93" High

U152493 R or L-4ROT**U182493 R or L-4ROT****U212493 R or L-4ROT****U242493 R or L-4ROT****U242493 BUTT-4ROT****U272493 -4ROT****U302493 -4ROT****U302493 BUTT-4ROT****U332493 -4ROT****U332493 BUTT-4ROT****U362493 -4ROT****U362493 BUTT-4ROT**

96" High

U152496 R or L-4ROT**U182496 R or L-4ROT****U212496 R or L-4ROT****U242496 R or L-4ROT****U242496 BUTT-4ROT****U272496 -4ROT****U302496 -4ROT****U302496 BUTT-4ROT****U332496 -4ROT****U332496 BUTT-4ROT****U362496 -4ROT****U362496 BUTT-4ROT**

Color coding indicates new product, size or code



- Four adjustable roll-out trays included in lower section
- Includes adjustable shelves in upper section: 84" high—one shelf; 90" & 93" high—two shelves; 96" high—three shelves
- No center rail on tall door for Astoria, Argonne, Ashfield, Chadwick, Courtney, Dresden, Evana, Evana Cathedral, Findlay, Findlay Cathedral, Lindsay, Lockeford, Northwicke, Parker House, Rutherford, Sheridan and Sydney door styles
- Roll-out Trays (ROT) shipped separately on 27"-36" wide units
- ☆ Roll-out Trays (ROT) cannot be included when a Reduced Depth (RD) option of less than 18" is selected
- ☆ 27"-36" wide units **not** available with Reduced Depth (RD)
- ☆ WR and RTK **not** available on 93" & 96" high cabinets
- ☆ Toe kick is shipped separately on 93" & 96" high cabinets
- ☆ Glass doors available for top doors only



Remember to remove the white plastic "feet" from the bottom of all tall cabinets before installation. Their sole purpose is to protect the floor after the cabinets are unboxed. Leaving them on will result in an uneven installation.

●	PE
●	APC
●	APFC
●	DE
●	FPEB
☆	GD
☆	IF
●	MI
☆	RD
☆	RTK
☆	VTK
☆	WR
●	XS



Utility Deluxe Dovetailed Roll-out Tray

(price book pg. F14)

Specify R or L
84" High

U152484 R or L-4DXROT

U182484 R or L-4DXROT

U212484 R or L-4DXROT

U242484 R or L-4DXROT

U242484 BUTT-4DXROT

U272484 -4DXROT

U302484 -4DXROT

U302484 BUTT-4DXROT

U332484 -4DXROT

U332484 BUTT-4DXROT

U362484 -4DXROT

U362484 BUTT-4DXROT

90" High

U152490 R or L-4DXROT

U182490 R or L-4DXROT

U212490 R or L-4DXROT

U242490 R or L-4DXROT

U242490 BUTT-4DXROT

U272490 -4DXROT

U302490 -4DXROT

U302490 BUTT-4DXROT

U332490 -4DXROT

U332490 BUTT-4DXROT

U362490 -4DXROT

U362490 BUTT-4DXROT

93" High

U152493 R or L-4DXROT

U182493 R or L-4DXROT

U212493 R or L-4DXROT

U242493 R or L-4DXROT

U242493 BUTT-4DXROT

U272493 -4DXROT

U302493 -4DXROT

U302493 BUTT-4DXROT

U332493 -4DXROT

U332493 BUTT-4DXROT

U362493 -4DXROT

U362493 BUTT-4DXROT

96" High

U152496 R or L-4DXROT

U182496 R or L-4DXROT

U212496 R or L-4DXROT

U242496 R or L-4DXROT

U242496 BUTT-4DXROT

U272496 -4DXROT

U302496 -4DXROT

U302496 BUTT-4DXROT

U332496 -4DXROT

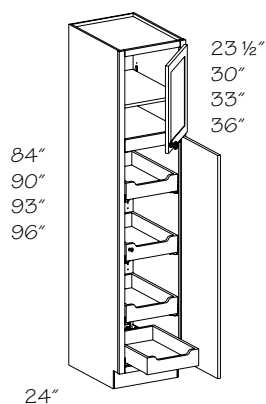
U332496 BUTT-4DXROT

U362496 -4DXROT

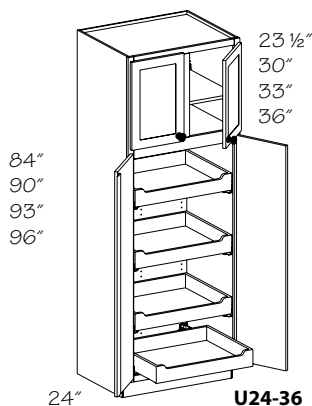
U362496 BUTT-4DXROT

Color coding indicates new product, size or code

- Four adjustable roll-out trays included in lower section
- Includes adjustable shelves in upper section: 84" high—one shelf; 90" & 93" high—two shelves; 96" high—three shelves
- No center rail on tall door for Astoria, Argonne, Ashfield, Chadwick, Courtney, Dresden, Evana, Evana Cathedral, Findlay, Findlay Cathedral, Lindsay, Lockeford, Northwicke, Parker House, Rutherford, Sheridan and Sydney door styles
- Roll-out Trays (ROT) are 4" deep, 3/4" solid wood dovetailed sides with 3/16" plywood bottom, notched front and full extension runners with integrated buffer
- Roll-out Trays (ROT) shipped separately on 27"-36" wide units
- ☆ Reduced Depth (RD) available in 18" and 21" depths only
- ☆ WR and RTK **not** available on 93" & 96" high cabinets
- ☆ Toe kick is shipped separately on 93" & 96" high cabinets
- ☆ 27"-36" wide units **not** available with Reduced Depth (RD)
- ☆ Glass doors available for top doors only



U15-24



U24-36

Pantry Storage*(price book pg. F16)*

Specify R or L

84" High

PS182484 R or L**PS242484 R or L****PS242484 BUTT**

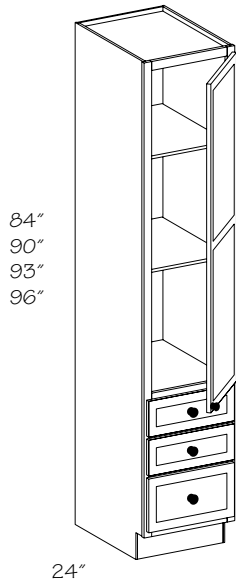
90" High

PS182490 R or L**PS242490 R or L****PS242490 BUTT**

93" High

PS182493 R or L**PS242493 R or L****PS242493 BUTT**

96" High

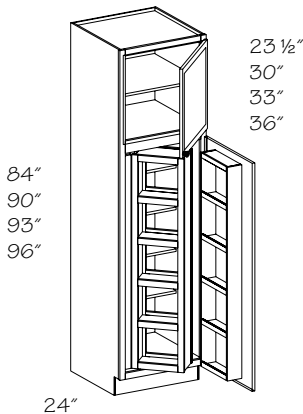
PS182496 R or L**PS242496 R or L****PS242496 BUTT**

- Includes two adjustable shelves in upper section
- Drawer Configuration:
 - 84" high—Three drawers (two standard, one deep) bottom edge of upper door aligns with bottom edge of the top drawer of standard base cabinet
 - 90" & 93" high—Four drawers (three standard, one deep) top drawer aligns with top drawer of standard base cabinet
 - 96" high—Five drawers (four standard, one deep) top drawer sets above countertop
- If DRPD option is selected, the standard drawer fronts will be five-piece recessed panel for Bridgewater and Bridgewater Cathedral
- Factory installed Roll-out Trays (ROT) are **not** available
- No center rail on tall door for Astoria, Argonne, Ashfield, Chadwick, Courtney, Dresden, Evana, Evana Cathedral, Findlay, Findlay Cathedral, Lindsay, Lockeford, Northwicke, Parker House, Rutherford, Sheridan and Sydney door styles
- ☆ WR and RTK **not** available on 93" & 96" high cabinets
- ☆ Toe kick is shipped separately on 93" & 96" high cabinets

●	PE
●	APC
●	APFC
●	DE
●	FPEB
	GD
	IF
●	MI
●	RD
☆	RTK
☆	VTK
☆	WR
●	XS

Multi Storage Pantry 24" Wide*(price book pg. F16)*

Specify R or L

MSP242484 R or L**MSP242490 R or L****MSP242493 R or L****MSP242496 R or L**

- Four 10 7/16" deep adjustable shelves in lower section
- One 4" deep door storage rack with five fixed shelves
- One 6 1/2" deep double-sided swing-out storage rack with five fixed shelves
- Includes adjustable shelves in upper section: 84" high—one shelf; 90" & 93" high—two shelves; 96" high—three shelves
- No center rail on tall door for Astoria, Argonne, Ashfield, Chadwick, Courtney, Dresden, Evana, Evana Cathedral, Findlay, Findlay Cathedral, Lindsay, Lockeford, Northwicke, Parker House, Rutherford, Sheridan and Sydney door styles
- **Note:** Swing-out shelves operate within a 90° door opening
- ☆ WR and RTK **not** available on 93" & 96" high cabinets
- ☆ Toe kick is shipped separately on 93" & 96" high cabinets
- ☆ Glass doors available for top doors only

●	PE
●	APC
●	APFC
●	DE
●	FPEB
☆	GD
	IF
●	MI
	RD
☆	RTK
☆	VTK
☆	WR
●	XS

Multi Storage Pantry 36" Wide

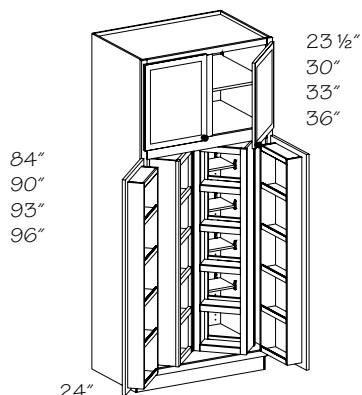
(price book pg. F16)

MSP362484

MSP362490

MSP362493

MSP362496



- Eight 7 1/8" deep adjustable shelves in lower section, four on each side of center partition
 - Two 4" deep storage racks with five fixed shelves
 - Two 6 1/2" deep double-sided swing-out storage racks with five fixed shelves
 - Includes adjustable shelves in upper section: 84" high—one shelf; 90" & 93" high—two shelves; 96" high—three shelves
 - No center rail on tall door for Astoria, Argonne, Ashfield, Chadwick, Courtney, Dresden, Evana, Evana Cathedral, Findlay, Findlay Cathedral, Lindsay, Lockeford, Northwicke, Parker House, Rutherford, Sheridan and Sydney door styles
 - **Note:** Swing-out shelves operate within a 90° door opening
- ☆ WR and RTK **not** available on 93" & 96" high cabinets
 ☆ Toe kick is shipped separately on 93" & 96" high cabinets
 ☆ Glass doors available for top doors only

- PE
- APC
- APFC
- DE
- FPEB
- ☆ GD
- IF
- MI
- RD
- ☆ RTK
- ☆ VTK
- ☆ WR
- XS

Tall Pantry Pull-out

(price book pg. F18)

Specify R or L

84" High

※ **TPP92484 R or L**

TPP122484 R or L

TPP152484 R or L

90" High

※ **TPP92490 R or L**

TPP122490 R or L

TPP152490 R or L

93" High

※ **TPP92493 R or L**

TPP122493 R or L

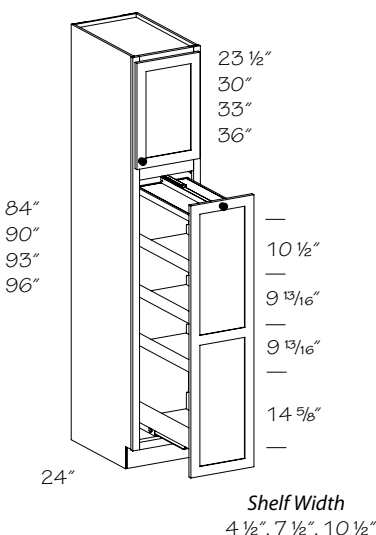
TPP152493 R or L

96" High

※ **TPP92496 R or L**

TPP122496 R or L

TPP152496 R or L



- Two fixed shelves attached to center and bottom of bottom door
- Two adjustable shelves
- Pull-out shelves are 21 3/4" deep
- Includes adjustable shelves in upper section: 84" high—one shelf; 90" & 93" high—two shelves; 96" high—three shelves
- Unit slides on full extension side-mount runners
- No center rail on tall door for Astoria, Argonne, Ashfield, Chadwick, Courtney, Dresden, Evana, Evana Cathedral, Findlay, Findlay Cathedral, Lindsay, Lockeford, Northwicke, Parker House, Rutherford, Sheridan and Sydney door styles
- ☆ Toe kick is shipped separately on 93" & 96" high cabinets
- ☆ WR **not** available on 93" & 96" high cabinets

- PE
- APC
- APFC
- DE
- FPEB
- GD
- IF
- MI
- RD
- RTK
- ☆ VTK
- ☆ WR
- XS

Tall Pantry Pull-out 60 1/2" H

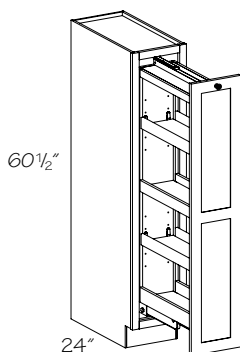
(price book pg. F18)

※ **TPP92460**

TPP122460

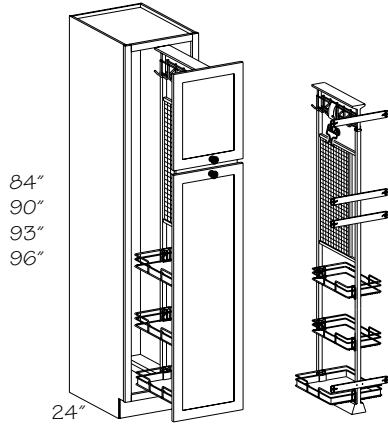
TPP152460

- ※ Greenwich, Harlowe, Smithton and Vanderbilt doors will have a solid, recessed flat panel.



- Two fixed shelves attached to center and bottom of door
- Two adjustable shelves
- Pull-out shelves are 21 3/4" deep
- Unit slides on full extension side-mount runners
- All door styles furnished square
- No center rail for Astoria, Argonne, Ashfield, Chadwick, Courtney, Dresden, Evana, Evana Cathedral, Findlay, Findlay Cathedral, Lindsay, Lockeford, Northwicke, Parker House, Rutherford, Sheridan and Sydney door styles

- PE
- APC
- APFC
- DE
- FPEB
- GD
- IF
- MI
- RD
- RTK
- VTK
- WR
- XS



Tall Cleaning Supply Pull-out

(price book pg. F18)

TCSP182484

TCSP182490

TCSP182493

TCSP182496

- Basket storage on left side; hanging storage on right side
- Includes four single 3" hooks, eight single 6" hooks, four double 6" hooks and eight 6" pegs
- Allow sufficient clearance away from a wall to access items on both sides of Pull-out
- Available in full overlay door styles only
- ☆ WR **not** available on 93" & 96" high cabinets
- ☆ Toe kick is shipped separately on 93" & 96" high cabinets

●	PE
●	APC
●	APFC
●	DE
●	FPEB
	GD
	IF
	MI
	RD
	RTK
☆	VTK
☆	WR
●	XS

Tall Prep Center

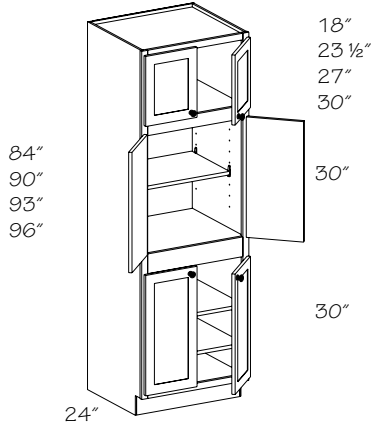
(price book pg. F18)

TPC272484

TPC272490

TPC272493

TPC272496



- One adjustable, 3/4 depth shelf in center section
- Two adjustable shelves in lower base section
- Includes adjustable shelves in upper section: 84" high—no shelves; 90" & 93" high—one shelf; 96" high—two shelves
- ☆ Toe kick is shipped separately on 93" & 96" high cabinets
- ☆ WR and RTK **not** available on 93" & 96" high cabinets
- ☆ Glass doors available for top doors only

●	PE
●	APC
●	APFC
	DE
●	FPEB
☆	GD
	IF
◇	MI
●	RD
☆	RTK
☆	VTK
☆	WR
	XS

Tall End Open Shelf—24" Deep

(price book pg. F20)

Specify R or L

(5) 14 29/32" sections

- TEOS62484 R or L
- TEOS92484 R or L
- TEOS122484 R or L
- TEOS62484 R or L-SQT
- TEOS92484 R or L-SQT
- TEOS122484 R or L-SQT

(5) 16 1/8" sections

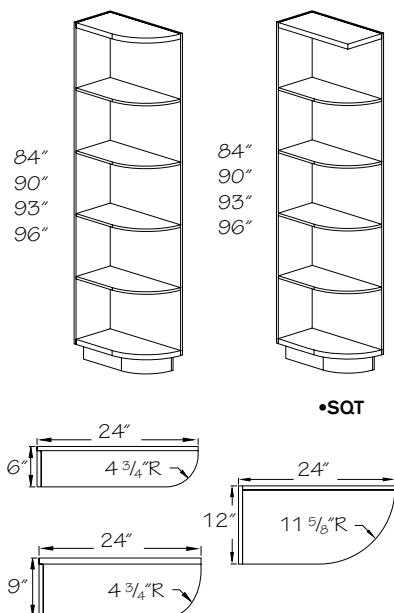
- TEOS62490 R or L
- TEOS92490 R or L
- TEOS122490 R or L
- TEOS62490 R or L-SQT
- TEOS92490 R or L-SQT
- TEOS122490 R or L-SQT

(5) 16 23/32" sections

- TEOS62493 R or L
- TEOS92493 R or L
- TEOS122493 R or L
- TEOS62493 R or L-SQT
- TEOS92493 R or L-SQT
- TEOS122493 R or L-SQT

(6) 14 5/16" sections

- TEOS62496 R or L
- TEOS92496 R or L
- TEOS122496 R or L
- TEOS62496 R or L-SQT
- TEOS92496 R or L-SQT
- TEOS122496 R or L-SQT



- 1 3/16" thick top and bottom shelves
- 5/8" wood veneer construction
- Five fixed shelves—84", 90" and 93" high
- Six fixed shelves—96" high
- Left shown
- Back Options (BEB and VGRB) **not** available
- **Not** available in Morristown; Melrose and Brockton are plain sawn wood
- ☆ Reduced Depth (RD) available in 3" increments to a minimum of 12"
- Example: TEOS 1224R-RD reduce depth to 18"

PE
● APC
APFC
DE
FPEB
GD
IF
◇ MI
☆ RD
RTK
● VTK
WR
XS

Tall End Open Shelf Mission—24" Deep

(price book pg. F20)

Specify R or L

(5) 14 7/8" sections

- TEOS62484 R or L-M
- TEOS92484 R or L-M
- TEOS122484 R or L-M

(5) 16 1/16" sections

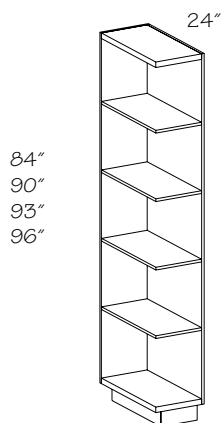
- TEOS62490 R or L-M
- TEOS92490 R or L-M
- TEOS122490 R or L-M

(5) 16 11/16" sections

- TEOS62493 R or L-M
- TEOS92493 R or L-M
- TEOS122493 R or L-M

(6) 14 5/16" sections

- TEOS62496 R or L-M
- TEOS92496 R or L-M
- TEOS122496 R or L-M



- Quartersawn wood veneer construction
- 1 1/4" thick top and bottom shelves
- Five fixed shelves—84", 90" and 93" high
- Six fixed shelves—96" high
- Left shown
- ☆ Reduced Depth (RD) available in 3" increments to a minimum of 12"
- Example: TEOS 1224R-M-RD reduce depth to 18"
- Available in quartersawn oak door styles only

PE
● APC
APFC
DE
FPEB
GD
IF
◇ MI
☆ RD
RTK
● VTK
WR
XS

Solid Wood Tall End Open Shelf—24" Deep

(price book pg. F22)

Specify R or L

(5) 14 29/32" sections

STEOS62484 R or L

STEOS92484 R or L

STEOS122484 R or L

STEOS62484 R or L-SQT

STEOS92484 R or L-SQT

STEOS122484 R or L-SQT

(5) 16 1/8" sections

STEOS62490 R or L

STEOS92490 R or L

STEOS122490 R or L

STEOS62490 R or L-SQT

STEOS92490 R or L-SQT

STEOS122490 R or L-SQT

(5) 16 23/32" sections

STEOS62493 R or L

STEOS92493 R or L

STEOS122493 R or L

STEOS62493 R or L-SQT

STEOS92493 R or L-SQT

STEOS122493 R or L-SQT

(6) 14 5/16" sections

STEOS62496 R or L

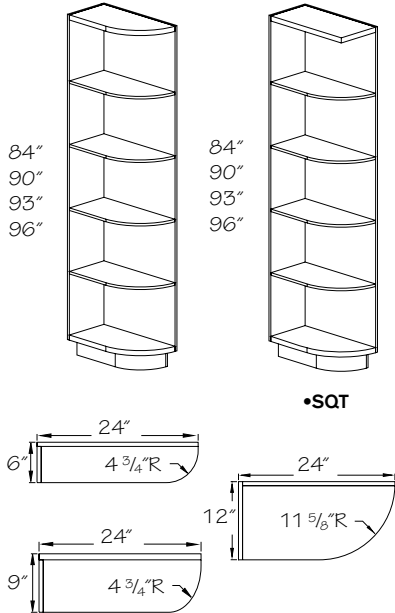
STEOS92496 R or L

STEOS122496 R or L

STEOS62496 R or L-SQT

STEOS92496 R or L-SQT

STEOS122496 R or L-SQT



- 5/8" wood veneer on sides and back
- 1 3/16" thick top and bottom shelves
- Five fixed shelves—84", 90" and 93" high
- Six fixed shelves—96" high
- Solid wood construction on shelves only
- Left shown
- Back Options (BEB and VGRB) **not** available
- **Not** available in Morristown; Melrose and Brockton are plain sawn wood
- Laminates are painted hardwood
- ☆ Shelves remain solid when APC option is chosen; sides and back will be 11/16" matching wood veneer plywood
- ☆ Reduced Depth (RD) available in 3" increments to a minimum of 12"
- Example: STEOS 1224R-RD reduce depth to 18"

PE
☆ APC
APFC
DE
FPEB
GD
IF
❖ MI
☆ RD
RTK
● VTK
WR
XS

Solid Wood Tall End Open Shelf Mission—24" Deep

(price book pg. F22)

Specify R or L

(5) 14 29/32" sections

STEOS62484 R or L-M

STEOS92484 R or L-M

STEOS122484 R or L-M

(5) 16 1/8" sections

STEOS62490 R or L-M

STEOS92490 R or L-M

STEOS122490 R or L-M

(5) 16 23/32" sections

STEOS62493 R or L-M

STEOS92493 R or L-M

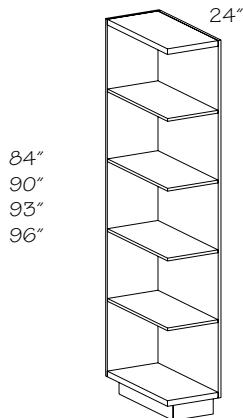
STEOS122493 R or L-M

(6) 14 5/16" sections

STEOS62496 R or L-M

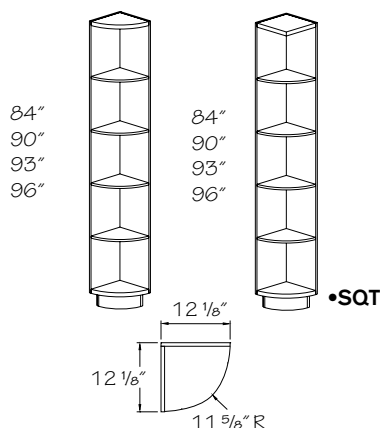
STEOS92496 R or L-M

STEOS122496 R or L-M



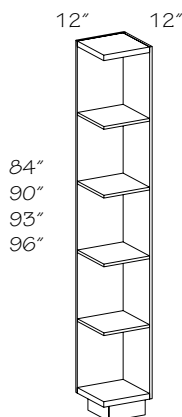
- Quartersawn wood veneer construction on sides and back
- 1 3/16" thick top and bottom shelves
- Five fixed shelves—84", 90" and 93" high
- Six fixed shelves—96" high
- Left shown
- Solid standard oak on shelves only
- Available in quartersawn oak door styles only
- ☆ Reduced Depth (RD) available in 3" increments to a minimum of 12"
- Example: STEOS 1224R.M-RD reduce depth to 18"
- ☆ Shelves remain solid when APC option is chosen; sides and back will be 11/16" matching wood veneer plywood

PE
☆ APC
APFC
DE
FPEB
GD
IF
❖ MI
☆ RD
RTK
● VTK
WR
XS

Tall End Open Shelf—12" Deep*(price book pg. F24)**(5) 14 29/32" sections***TEOS121284****TEOS121284 •SQT***(5) 16 1/8" sections***TEOS121290****TEOS121290 •SQT***(5) 16 23/32" sections***TEOS121293****TEOS121293 •SQT***(6) 14 5/16" sections***TEOS121296****TEOS121296 •SQT**

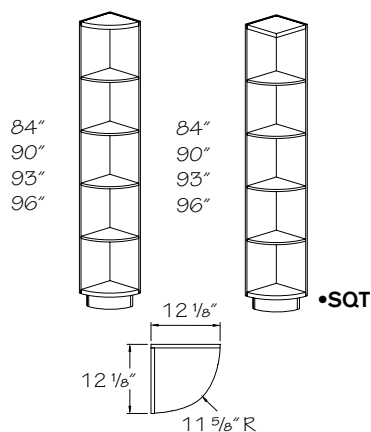
- 5/8" wood veneer construction
- 1 3/16" thick top and bottom shelves
- Five fixed shelves—84", 90" and 93" high
- Six fixed shelves—96" high
- Reversible, use either right or left
- Back Options (BEB and VGRB) **not** available
- **Not** available in Morristown; Melrose and Brockton are plain sawn wood

PE
● APC
APFC
DE
FPEB
GD
IF
❖ MI
RD
RTK
● VTK
WR
XS

Tall End Open Shelf Mission—12" Deep*(price book pg. F24)**(5) 14 7/8" sections***TEOS121284 •M***(5) 16 1/16" sections***TEOS121290 •M***(5) 16 11/16" sections***TEOS121293 •M***(6) 14 5/16" sections***TEOS121296 •M**

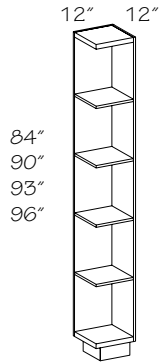
- Quartersawn wood veneer construction
- 1 1/4" thick top and bottom shelves
- Five fixed shelves—84", 90" and 93" high
- Six fixed shelves—96" high
- Reversible, may be installed left or right
- Available in quartersawn oak door styles only

PE
● APC
APFC
DE
FPEB
GD
IF
❖ MI
RD
RTK
● VTK
WR
XS

Solid Wood Tall End Open Shelf—12" Deep*(price book pg. F24)**(5) 14 29/32" sections***STEOS121284****STEOS121284 •SQT***(5) 16 1/8" sections***STEOS121290****STEOS121290 •SQT***(5) 16 23/32" sections***STEOS121293****STEOS121293 •SQT***(6) 14 5/16" sections***STEOS121296****STEOS121296 •SQT**

- 5/8" wood veneer on sides and back
- 1 3/16" thick top and bottom shelves
- Five fixed shelves—84", 90" and 93" high
- Six fixed shelves—96" high
- Solid wood construction on shelves only
- Reversible, use either right or left
- Back Options (BEB and VGRB) **not** available
- Laminates are painted hardwood
- **Not** available in Morristown; Melrose and Brockton are plain sawn wood
- ☆ Shelves remain solid when APC option is chosen; sides and back will be 11/16" matching wood veneer plywood

PE
☆ APC
APFC
DE
FPEB
GD
IF
❖ MI
RD
RTK
● VTK
WR
XS



Solid Wood Tall End Open Shelf Mission—12" Deep

(price book pg. F26)

(5) 14 29/32" sections

STEOS121284 •M

(5) 16 1/8" sections

STEOS121290 •M

(5) 16 23/32" sections

STEOS121293 •M

(6) 14 5/16" sections

STEOS121296 •M

- Quartersawn wood veneer construction on sides and back
 - 1 3/16" thick top and bottom shelves
 - Five fixed shelves—84", 90" and 93" high
 - Six fixed shelves—96" high
 - Reversible, may be installed left or right
 - Solid standard oak on shelves only
 - Available in quartersawn oak door styles only
- ☆ Shelves remain solid when APC option is chosen; sides and back will be 11/16" matching wood veneer plywood

PE
☆ APC
APFC
DE
FPEB
GD
IF
❖ MI
RD
RTK
● VTK
WR
XS