

Tall Appliance Cabinets

Construction Options and Modifications

Available with an upcharge
 Available with exceptions
 Included as standard

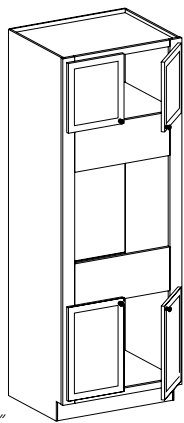
Note: Standard tall cabinet box depth is 12" or 24" unless stated otherwise. Add door thickness with bumpers for total depth.

Material dimensions may be nominal based on lumber industry standards.

Specifications subject to change without notice.

- PE --- Plywood Ends
- APC -- All Plywood Construction
- APFC -- All Plywood Furniture Construction
- FPEB -- Furniture Plywood Ends
- GD --- Glass Doors
- IF --- Inverted Frame
- MI --- Matching Interior
- RD --- Reduced Depth
- RTK -- Recessed Toe Kick
- VTK -- Void Toe Kick
- WR --- Wide Bottom Rail
- XS --- Extended Stile

OC	24	24	84
code	width	depth	height



18"
23 1/2"
27"
30"

Oven Cabinet—Single w/3" Stiles

(price book pg. F26)

- 84" High
 - * **OC242484 (Butt)S**
 - * **OC272484 (Butt)S**
 - * **OC302484 (Butt)S**
 - ◆ **OC332484 S**
 - ◆ **OC332484 BUTTS**
 - ◆▲ **OC392484 S**
 - 90" High
 - * **OC242490 (Butt)S**
 - * **OC272490 (Butt)S**
 - * **OC302490 (Butt)S**
 - ◆ **OC332490 S**
 - ◆ **OC332490 BUTTS**
 - ◆▲ **OC392490 S**
 - 93" High
 - * **OC242493 (Butt)S**
 - * **OC272493 (Butt)S**
 - * **OC302493 (Butt)S**
 - ◆ **OC332493 S**
 - ◆ **OC332493 BUTTS**
 - ◆▲ **OC392493 S**
 - 96" High
 - * **OC242496 (Butt)S**
 - * **OC272496 (Butt)S**
 - * **OC302496 (Butt)S**
 - ◆ **OC332496 S**
 - ◆ **OC332496 BUTTS**
 - ◆▲ **OC392496 S**
- ◆ 1 1/2" stiles
 ◆ 3" center stile
 ▲ Check manufacturer's specifications for required cutout dimensions. If the required cutout height is less than 25", optional Oven Trim Kit is required with the installation.

Color coding indicates new product, size or code

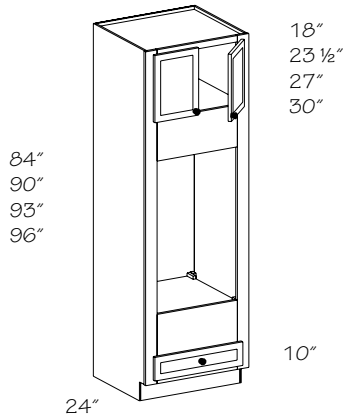
Cut out dimensions

Cabinet Width	Min. Width	Max. Width	Min. Height	Max. Height
24"	21"	22"	21"	*
27"	21"	25"	21"	*
30"	24"	28"	21"	*
33"	27"	31"	21"	*
39"	33"	36"	25"	*

* Maximum cutout opening is dependent on appliance size and use of molding or trim kit. Distance between top doors and bottom doors on full overlay styles is 38".

- Field installed Roll-out Trays (ROT) may be installed in lower compartment as follows:
 - OC 24 utilizes ROT 24; Deluxe Dovetailed Roll-out Tray **not** available
 - OC 27 utilizes ROT 24; Deluxe Dovetailed Roll-out Tray **not** available
 - OC 30 utilizes ROT 27; Deluxe Dovetailed Roll-out Tray **not** available
 - OC 33 utilizes ROT 15 or 30; Deluxe Dovetailed Roll-out Tray **not** available
 - OC 39 utilizes ROT 18 or 36; Deluxe Dovetailed Roll-out Tray **not** available
- Includes adjustable shelves in upper section:
 - 84" high—no shelves; 90" & 93" high—one shelf; 96" high—two shelves
- Mullion strip is standard on OC30_S for full overlay door styles
- Mullion strip oven cabinet (MSOTB) option is available on OC 33_S and OC 39_S; see Construction Options section of this book
- Oven Trim Kit (overlay panel) available for full overlay look; see Tall Accessories section of this book
- Factory installed Roll-out Trays (ROT) are **not** available, except OC 24
- ☆ WR and RTK **not** available on 93" & 96" high cabinets
- ☆ Toe kick is shipped separately on 93" & 96" high cabinets
- ☆ Glass doors available for top doors only

- PE
- APC
- APFC
- FPEB
- ☆ GD
- IF
- MI
- RD
- ☆ RTK
- ☆ VTK
- ☆ WR
- XS



Cut out dimensions

Cabinet Width	Min. Width	Max. Width	Min. Height	Max. Height
24"	21"	22"	36 1/2"	*
27"	21"	25"	36 1/2"	*
30"	24"	28"	36 1/2"	*
33"	27"	31"	36 1/2"	*

* Maximum cutout opening is dependent on appliance size and use of molding or trim kit. Distance between the top doors and bottom drawer on full overlay styles is 53 7/8" for the 84" unit; 54 3/8" for the 90"; 53 7/8" for the 93" & 96" units.

Oven Cabinet-Double w/3" Stiles

(price book pg. F28)

84" High

- * **OC242484 (Butt)D**
- OC272484 (Butt)D**
- OC302484 (Butt)D**

◆ **OC332484 D**

OC332484 BUTTD

90" High

- * **OC242490 (Butt)D**
- OC272490 (Butt)D**
- OC302490 (Butt)D**

◆ **OC332490 D**

OC332490 BUTTD

93" High

- * **OC242493 (Butt)D**
- OC272493 (Butt)D**
- OC302493 (Butt)D**

◆ **OC332493 D**

OC332493 BUTTD

96" High

- * **OC242496 (Butt)D**
- OC272496 (Butt)D**
- OC302496 (Butt)D**

OC332496 BUTTD

◆ **OC332496 D**

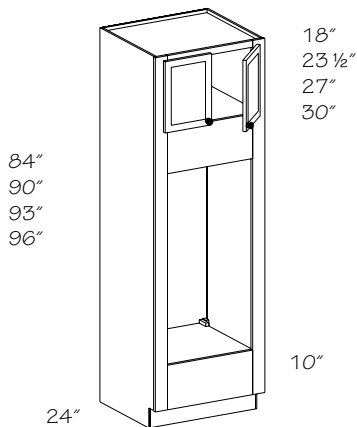
* 1 1/2" stiles

◆ 3" center stile

Color coding indicates new product, size or code

- Includes adjustable shelves in upper section: 84" high—no shelves; 90" & 93" high—one shelf; 96" high—two shelves
- Oven Trim Kit (overlay panel) available for full overlay look; see Tall Accessories section of this book
- Double Oven Opening Kit shelf available for two appliance installation; see Tall Accessories section of this book
- ☆ WR and RTK **not** available on 93" & 96" high cabinets
- ☆ Toe kick is shipped separately on 93" & 96" high cabinets

● PE
● APC
● APFC
● FPEB
● GD
IF
● MI
● RD
☆ RTK
☆ VTK
☆ WR
● XS



Cut out dimensions

Cabinet Width	Min. Width	Max. Width	Min. Height	Max. Height
24"	21"	22"	43"	*
27"	21"	25"	43"	*
30"	24"	28"	43"	*
33"	27"	31"	43"	*

* Maximum cutout opening is dependent on appliance size and use of molding or trim kit. Distance between top doors and bottom on full overlay styles is 60".

Oven Cabinet-Double Extended Opening w/3" Stiles

(price book pg. F28)

84" High

- * **OC242484 (Butt)DE**
- OC272484 (Butt)DE**
- OC302484 (Butt)DE**

◆ **OC332484 DE**

OC332484 BUTTDE

90" High

- * **OC242490 (Butt)DE**
- OC272490 (Butt)DE**
- OC302490 (Butt)DE**

◆ **OC332490 DE**

OC332490 BUTTDE

93" High

- * **OC242493 (Butt)DE**
- OC272493 (Butt)DE**
- OC302493 (Butt)DE**

◆ **OC332493 DE**

OC332493 BUTTDE

96" High

- * **OC242496 (Butt)DE**
- OC272496 (Butt)DE**
- OC302496 (Butt)DE**

◆ **OC332496 DE**

OC332496 BUTTDE

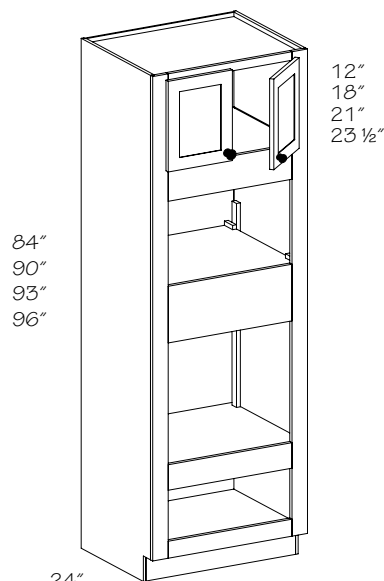
* 1 1/2" stiles

◆ 3" center stile

Color coding indicates new product, size or code

- Includes adjustable shelves in upper section: 84" high—no shelves; 90" & 93" high—one shelf; 96" high—two shelves
- Double Oven Opening Kit shelf available for two appliance installation; see Tall Accessories section of this book
- Oven Trim Kit (overlay panel) available for full overlay look; see Tall Accessories section of this book
- ☆ WR and RTK **not** available on 93" & 96" high cabinets
- ☆ Toe kick is shipped separately on 93" & 96" high cabinets

● PE
● APC
● APFC
● FPEB
● GD
IF
● MI
● RD
☆ RTK
☆ VTK
☆ WR
● XS



Oven Cabinet-Combination

(price book pg. F30)

- OC272484 (Butt)C**
- OC302484 (Butt)C**
- ◆ **OC332484 C**
- OC332484 BUTTC**
- OC272490 (Butt)C**
- OC302490 (Butt)C**
- ◆ **OC332490 C**
- OC332490 BUTTC**
- OC272493 (Butt)C**
- OC302493 (Butt)C**
- ◆ **OC332493 C**
- OC332493 BUTTC**
- OC272496 (Butt)C**
- OC302496 (Butt)C**
- ◆ **OC332496 C**
- OC332496 BUTTC**
- ◆ 3" center stile

Color coding indicates new product, size or code

- Includes adjustable shelves in upper section: 84" & 90" high—no shelves; 93" & 96" high—one shelf
- ☆ WR and RTK **not** available on 93" & 96" high cabinets
- ☆ Toe kick is shipped separately on 93" & 96" high cabinets
- Contrasting Back Options (CBEB, CPLB, CVGR) **not** available
- Back Options (BEB and VGRB) **not** available



Best used for appliance combinations such as; microwave, single oven, and warming drawer or double oven and warming drawer

- PE
- APC
- APFC
- ◆ FPEB
- GD
- IF
- MI
- RD
- ☆ RTK
- ☆ VTK
- ☆ WR
- XS

Bottom opening cut out dimensions

Cabinet Width	Min. Width	Max. Width	Min. Height	Max. Height
27"	21"	25"	9"	13 1/2"
30"	24"	28"	9"	13 1/2"
33"	27"	31"	9"	13 1/2"

Top opening cut out dimensions

Cabinet Width	Min. Width	Max. Width	Min. Height	Max. Height
27"	21"	25"	15"	19"
30"	24"	28"	15"	19"
33"	27"	31"	15"	19"

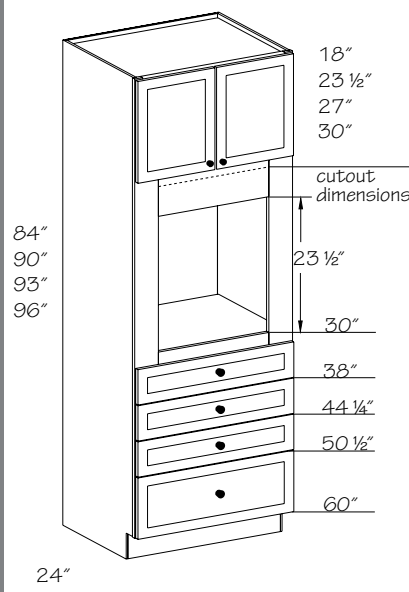
Center Opening cut out dimensions

Cabinet Width	Min. Width	Max. Width	Min. Height 84"-93"	Min. Height 96"	Max. Height
27"	21"	25"	21 1/2"	22"	★
30"	24"	28"	21 1/2"	22"	★
33"	27"	31"	21 1/2"	22"	★

★ Maximum cutout opening is dependent on appliance size and use of molding or trim kit. Distance between top doors and bottom drawer on full overlay styles is 30".

Oven Cabinet-Universal w/3" Stiles

(price book pg. F30)



- 84" High
- OC272484 (Butt)U**
- ◆ **OC302484 U**
- ◆ **OC302484 BUTTU**
- ◆ **OC332484 U**
- OC332484 BUTTU**
- 90" High
- OC272490 (Butt)U**
- ◆ **OC302490 U**
- ◆ **OC302490 BUTTU**
- ◆ **OC332490 U**
- OC332490 BUTTU**
- 93" High
- OC272493 (Butt)U**
- ◆ **OC302493 U**
- ◆ **OC302493 BUTTU**
- ◆ **OC332493 U**
- OC332493 BUTTU**

Color coding indicates new product, size or code

- Includes adjustable shelves in upper section: 84" high—no shelves; 90" & 93" high—one shelf; 96" high—two shelves
- Adjustable floor
- Three standard drawers
- One deep drawer
- Drawers are removable to accommodate increased oven height
- Oven Trim Kit (overlay panel) available for full overlay look; see Tall Accessories section of this book
- Oven cutout requirements must be 1 1/2" less than maximum allowable cutout in order to use Oven Trim Kit (OTK)
- ☆ WR and RTK **not** available on 93" & 96" high cabinets
- ☆ Toe kick is shipped separately on 93" & 96" high cabinets



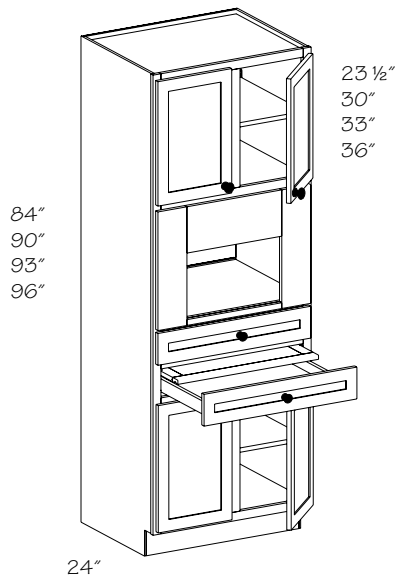
Most major appliance manufacturers will tell you that their 27" wide ovens will fit into a 27" oven cabinet and their 30" wide ovens will fit into a 30" cabinet. In most cases this is true. However, the look this creates may **not** be appealing because the stiles will be concealed by the appliance. To solve this problem, you can order a 30" oven cabinet for a 27" oven and a 33" oven cabinet for a 30" oven, etc.

- PE
- APC
- APFC
- ◆ FPEB
- GD
- IF
- MI
- RD
- ☆ RTK
- ☆ VTK
- ☆ WR
- XS

Cut out dimensions

Cabinet Width	Min. Width	Max. Width	Min. Height	Max. Height
27"	21"	25"	23 1/2"	★
30"	24"	28"	23 1/2"	★
33"	27"	31"	23 1/2"	★

★ Maximum cutout opening is dependent on appliance size and use of molding or trim kit. See drawing for details



Microwave Cooking Center

(price book pg. F32)

84" High

MCC272484 (Butt)

MCC302484

MCC302484 BUTT

90" High

MCC272490 (Butt)

MCC302490

MCC302490 BUTT

93" High

MCC272493 (Butt)

MCC302493

MCC302493 BUTT

96" High

MCC272496 (Butt)

MCC302496

MCC302496 BUTT

Color coding indicates new product, size or code

Cut out dimensions

Cabinet Width	Min. Width	Max. Width	Min. Height	Max. Height
27"	13 1/2"	22"	12 1/2"	18 1/2"
30"	16 1/2"	25"	12 1/2"	18 1/2"

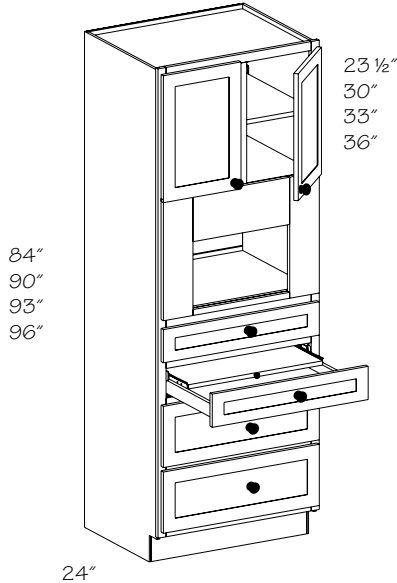
Yoke sizes

Cabinet	1/2" Overlay		Full Overlay	
	Width	Height	Width	Height
MCC272484	25"	20 1/2"	26 3/8"	21 1/4"
MCC272490/93/96	25"	20"	26 3/8"	20 7/8"
MCC302484	28"	20 1/2"	29 3/8"	21 1/8"
MCC302490/93/96	28"	20"	29 3/8"	20 7/8"



- PE
- APC
- APFC
- FPEB
- ☆ GD
- IF
- MI
- RD
- ☆ RTK
- ☆ VTK
- ☆ WR
- XS

- One adjustable shelf in lower section
- One standard drawer and one cutting center
- Includes adjustable shelves in upper section: 84" high—one shelf; 90" & 93" high—two shelves; 96" high—three shelves
- Pull out cutting board installed
- Top drawer is slab in all full overlay door styles except Bedford, Fairport, Huntington, Lyndale and Mandalay
- ☆ WR and RTK **not** available on 93" & 96" high cabinets
- ☆ Toe kick is shipped separately on 93" & 96" high cabinets
- ☆ Glass doors available for top doors only



Microwave Cooking Center Drawer Storage

(price book pg. F32)

84" High

MCCD272484 (Butt)

MCCD302484

MCCD302484 BUTT

90" High

MCCD272490 (Butt)

MCCD302490

MCCD302490 BUTT

93" High

MCCD272493 (Butt)

MCCD302493

MCCD302493 BUTT

96" High

MCCD272496 (Butt)

MCCD302496

MCCD302496 BUTT

Color coding indicates new product, size or code

Cut out dimensions

Cabinet Width	Min. Width	Max. Width	Min. Height	Max. Height
27"	13 1/2"	22"	12 1/2"	16 1/2"
30"	16 1/2"	25"	12 1/2"	16 1/2"

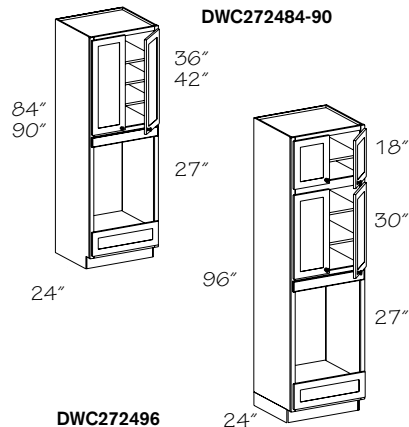
Yoke sizes

Cabinet	1/2" Overlay		Full Overlay	
	Width	Height	Width	Height
MCCD272484	25"	18 1/2"	26 3/8"	19 1/8"
MCCD272490/93/96	25"	18"	26 3/8"	18 3/8"
MCCD302484	28"	18 1/2"	29 3/8"	19 1/8"
MCCD302490/93/96	28"	18"	29 3/8"	18 3/8"



- PE
- APC
- APFC
- FPEB
- GD
- IF
- MI
- RD
- ☆ RTK
- ☆ VTK
- ☆ WR
- XS

- Two 7" deep drawers, one 2 1/4" drawer with Roll-out Shelf Kit (ROSTK) above, and one standard 4" drawer
- Includes adjustable shelves in upper section: 84" high—one shelf; 90" & 93" high—two shelves; 96" high—three shelves
- Top drawer is slab in all full overlay door styles except Bedford, Fairport, Huntington, Lyndale and Mandalay
- ☆ WR and RTK **not** available on 93" & 96" high cabinets
- ☆ Toe kick is shipped separately on 93" & 96" high cabinets



Tall Dishwasher Cabinet

(price book pg. F32)

- 84" High
DWC272484
- 90" High
DWC272490
- 96" High
DWC272496



Remember to order a 3/16" skin (WSK) for the exposed ends of 93" & 96" high tall cabinets to conceal the seam between the loose toe kick and the cabinet.

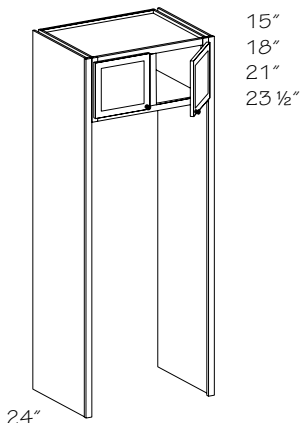
- Plywood floor
- False drawer front
- Allows for 11" raised installation of standard dishwashers
- Pull out cutting board installed above dishwasher opening. Slab drawer front in all door styles; DRPD **not** available.
- Three adjustable shelves in upper section(s)
- ☆ WR **not** available on 93" & 96" high cabinets
- ☆ Toe kick is shipped separately on 93" & 96" high cabinets
- ☆ Glass doors available for top doors only

- PE
- APC
- APFC
- FPFB
- ☆ GD
- IF
- MI
- RD
- RTK
- ☆ VTK
- ☆ WR
- XS

Refrigerator Tall Cabinet

(price book pg. F34)

- | | | |
|-----------------------|------------------------------------|--|
| 84" High | <i>Inside dimensions - W" x H"</i> | |
| RTC332484 | 30" x 69" | |
| RTC332484 BUTT | 30" x 69" | |
| RTC362484 | 33" x 69" | |
| RTC362484 BUTT | 33" x 69" | |
| RTC392484 | 36" x 69" | |
| RTC392484 BUTT | 36" x 69" | |
| 90" High | | |
| RTC332490 | 30" x 72" | |
| RTC332490 BUTT | 30" x 72" | |
| RTC362490 | 33" x 72" | |
| RTC362490 BUTT | 33" x 72" | |
| RTC392490 | 36" x 72" | |
| RTC392490 BUTT | 36" x 72" | |
| 93" High | | |
| RTC332493 | 30" x 72" | |
| RTC332493 BUTT | 30" x 72" | |
| RTC362493 | 33" x 72" | |
| RTC362493 BUTT | 33" x 72" | |
| RTC392493 | 36" x 72" | |
| RTC392493 BUTT | 36" x 72" | |
| 96" High | | |
| RTC332496 | 30" x 72" | |
| RTC332496 BUTT | 30" x 72" | |
| RTC362496 | 33" x 72" | |
| RTC362496 BUTT | 33" x 72" | |
| RTC392496 | 36" x 72" | |
| RTC392496 BUTT | 36" x 72" | |



- One adjustable shelf included in 96" high cabinets
- Interior of end panels are Natural Birch Viraguard
- End panels shipped unattached; field assembly required
- Shipped in two packages

- PE
- APC
- APFC
- FPFB
- GD
- IF
- MI
- RD
- RTK
- VTK
- WR
- XS

Color coding indicates new product, size or code



- PE
- APC
- APFC
- FPEB
- GD
- IF
- MI
- RD
- RTK
- VTK
- WR
- XS

Fabric Care Ensemble

(price book pg. F34)

Two Shelves

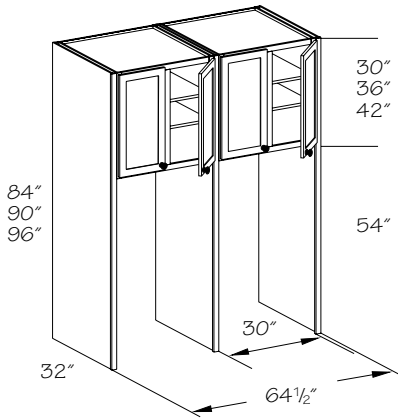
FCE653284

Three Shelves

FCE653290

FCE653296

- End panels shipped unattached; field assembly required
- All components shipped separately
- **Not** for use as a freestanding unit
- **Not** available with Mullion Strip Wall (MSW) or Mullion Strip Top (MSUT)



Fabric Care Ensemble Cabinet

(price book pg. F34)

Two Shelves

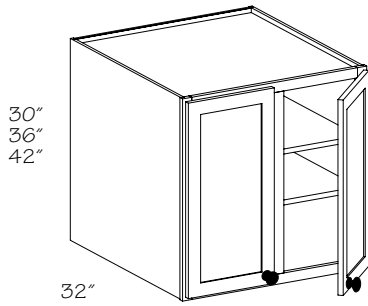
FCEC303230 K

Three Shelves

FCEC303236 K

FCEC303242 K

- Fabric Care Ensemble Cabinets (FCEC) are for the Fabric Care Ensemble ONLY
- Must be installed as part of the Fabric Care Ensemble for warranty coverage
- **Not** available with Mullion Strip Wall (MSW) or Mullion Strip Top (MSUT)



- PE
- APC
- APFC
- FPEB
- GD
- IF
- MI
- RD
- RTK
- VTK
- WR
- XS

Fabric Care Ensemble Panels

(price book pg. F36)

Viraguard Center Panel

FCCP1 1/2-84

FCCP1 1/2-90

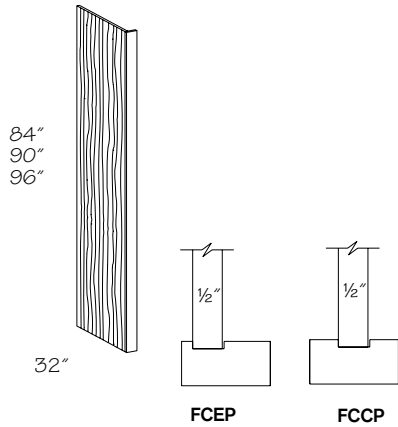
FCCP1 1/2-96

Viraguard End Panel

FCEP1 1/2-84

FCEP1 1/2-90

FCEP1 1/2-96



- PE
- APC
- APFC
- FPEB
- GD
- IF
- ◆ MI
- RD
- RTK
- VTK
- WR
- XS