

Tall Cabinet Accessories

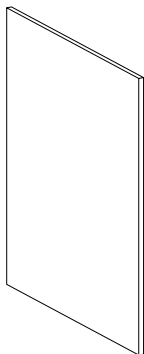
Construction Options and Modifications

- - - - Available with an upcharge
- ◆ - - - Included as standard
- (Blank) - Not available

Specifications subject to change without notice.

- PE - - - Plywood Ends
- APC - - All Plywood Construction
- APFC - - All Plywood Furniture Construction
- FPEB - - Furniture Plywood Ends
- MI - - - Matching Interior
- RD - - - Reduced Depth
- VTK - - Void Toe Kick
- WR - - - Wide Bottom Rail

RTFC	3	15	84
code	width	depth	height



Oven Trim Kit

(price book pg. F38)
For OC_D

Width x Height

- OTK24 D** 23 5/8" x 53 1/8"
- OTK27 D** 26 5/8" x 53 1/8"
- OTK30 D** 29 5/8" x 53 1/8"
- OTK33 D** 32 5/8" x 53 1/8"

For OC_DE & OC_U

Width x Height

- OTK24 DE** 23 5/8" x 60 5/8"
- OTK27 DE** 26 5/8" x 60 5/8"
- OTK30 DE** 29 5/8" x 60 5/8"
- OTK33 DE** 32 5/8" x 60 5/8"

For OC_S

Width x Height

- OTK24 S** 23 5/8" x 32 5/8"
- OTK27 S** 26 5/8" x 32 5/8"
- OTK30 S** 29 5/8" x 32 5/8"
- OTK33 S** 32 5/8" x 32 5/8"
- OTK39 S** 38 5/8" x 32 5/8"

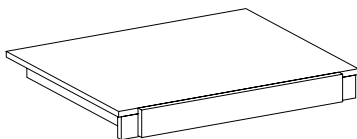
- 5/8" wood veneer construction
- Quartersawn oak door styles have quartersawn wood veneer end panels. Quartersawn cherry and maple door styles supplied in plain sawn wood.
- Finished both sides
- Edgebanded all four sides

PE
APC
APFC
FPEB
MI
RD
VTK
WR

Double Oven Opening Kit

(price book pg. F38)

- DOK24**
- DOK27**
- DOK30**
- DOK33**



- Includes 1/2" Viraguard clad shelf with 3/4" Pine mounting supports and 3" wide 3/4" solid wood center rail to match cabinet exterior
- For installing two appliances in one oven cabinet

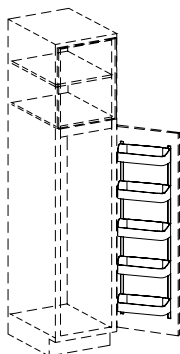
PE
● APC
APFC
FPEB
MI
RD
VTK
WR

Door Storage Kit

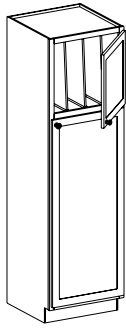
(price book pg. F38)

- DSK18** for U1824 5 - 13 3/4" wide shelves
- DSK24** for U2424BUTT 10 - 7 7/8" wide shelves

- 4 1/2" deep molded baskets attached to metal ladders
- Field installation only



●
PE
APC
APFC
FPEB
MI
RD
VTK
WR



Tray Dividers–Tall

(price book pg. F38)

1TD

- 1/2" natural birch Viraguard
- Available factory installed for 24" deep cabinets only
- Installed in wood or plastic U-channels
- Shelves are eliminated when this option is selected
- Specify quantity and location
- Example: U242484-3TD (spaced evenly)



PE
APC
APFC
FPEB
MI
RD
VTK
WR

Tall Filler

(price book pg. F38)

84" High

TF3-84

TF6-84

90" High

TF3-90

TF6-90

93" High

TF3-93

TF6-93

96" High

TF3-96

TF6-96

- 3/4" solid wood
- No toe kick



Remember to use fillers with full overlay door styles, especially square edge profiles, when cabinets will be against a return wall, box, pilaster or column. Use fillers on all overlays if there is case molding on a return wall. This will ensure proper clearance for drawers and roll-out tray access.

PE
APC
APFC
FPEB
MI
RD
VTK
WR

79 1/2"
85 1/2"
88 1/2"
91 1/2"



Tall Inside Corner Angle Filler

(price book pg. F38)

ICAF84

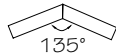
ICAF90

ICAF93

ICAF96

- 3/4" solid wood
- No toe kick
- **Not** available in laminate door styles

79 1/2"
85 1/2"
88 1/2"
91 1/2"



135°

PE
APC
APFC
FPEB
MI
RD
VTK
WR

Tall Filler Overlay

(price book pg. F38)

One-piece

TFOL3-60

TFOL6-60

Two-piece

TFOL3-84

TFOL6-84

TFOL3-90

TFOL6-90

TFOL3-93

TFOL6-93

TFOL3-96

TFOL6-96

Full Height

* **TFOL3-84-FH**

* **TFOL6-84-FH**

* **TFOL3-90-FH**

* **TFOL6-90-FH**

* **TFOL3-93-FH**

* **TFOL6-93-FH**

* **TFOL3-96-FH**

* **TFOL6-96-FH**

* **Not** available in laminate door styles

- Available in full overlay door styles only
- Filler overlay has routed door profile and is solid wood or laminate
- Laminates are painted hardwood
- Quartersawn oak door styles are 3/4" quartersawn solid wood with matching door profile on all sides. Quartersawn cherry and maple door styles are quartersawn wood veneer.
- Filler ordered separately

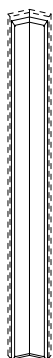
PE
APC
APFC
FPEB
MI
RD
VTK
WR

Two-piece



One-piece





Top View

Tall Inside Corner Angle Filler Overlay

(price book pg. F38)

ICAFOL84

ICAFOL90

ICAFOL93

ICAFOL96

- Available in full overlay door styles only
- Filler overlay has routed door profile and is solid wood
- Quartersawn oak door styles are 3/4" quartersawn solid wood with matching door profile on all sides. Quartersawn cherry and maple door styles are quartersawn wood veneer.
- Filler ordered separately
- Shipped as two pieces
- **Not** available in laminate door styles

PE
APC
APFC
FPEB
MI
RD
VTK
WR

Tall Fluted Filler

(price book pg. F38)

84" High

TFF3-84

TFF6-84

90" High

TFF3-90

TFF6-90

93" High

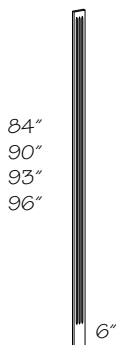
TFF3-93

TFF6-93

96" High

TFF3-96

TFF6-96



- 3/4" solid wood
- Laminates are painted hardwood
- **Not** available in Morristown; Brockton, Melrose and Putnam Oak supplied plain sawn

PE
APC
APFC
FPEB
MI
RD
VTK
WR

Rosette Tall Fluted Filler

(price book pg. F38)

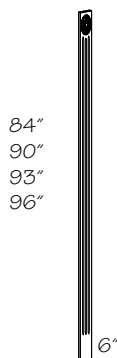
RTFF3-84

RTFF3-90

RTFF3-93

RTFF3-96

- 3/4" solid wood
- Applied decorative rosette
- Laminates are painted hardwood
- **Not** available in Morristown; Brockton, Melrose and Putnam Oak supplied plain sawn



PE
APC
APFC
FPEB
MI
RD
VTK
WR

Rosette Fluted Tall Filler Overlay

(price book pg. F38)

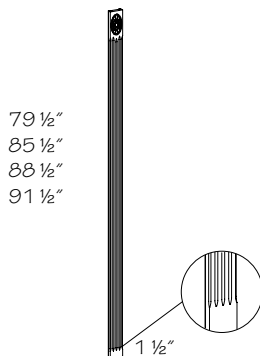
RFTFOL3-84

RFTFOL3-90

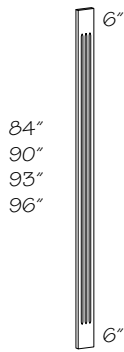
RFTFOL3-93

RFTFOL3-96

- 3/4" solid wood
- Applied decorative rosette
- Laminates are painted hardwood
- **Not** available in Morristown; Brockton, Melrose and Putnam Oak supplied plain sawn



PE
APC
APFC
FPEB
MI
RD
VTK
WR



Plain Capital Tall Fluted Filler

(price book pg. F38)

84" High

PCTFF3-84

PCTFF6-84

90" High

PCTFF3-90

PCTFF6-90

93" High

PCTFF3-93

PCTFF6-93

96" High

PCTFF3-96

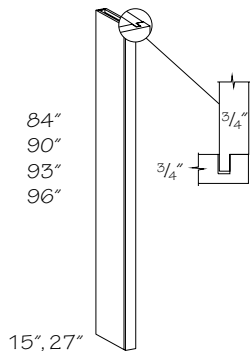
PCTFF6-96

- 3/4" solid wood
- Laminates are painted hardwood
- **Not** available in Morristown; Brockton, Melrose and Putnam Oak supplied plain sawn

PE
● APC
☆ APFC
❖ FPEB
MI
RD
VTK
WR

Tall Column

(price book pg. F39)



84" High

TC31584

TC61584

TC32784

TC62784

90" High

TC31590

TC61590

TC32790

TC62790

93" High

TC31593

TC61593

TC32793

TC62793

96" High

TC31596

TC61596

TC32796

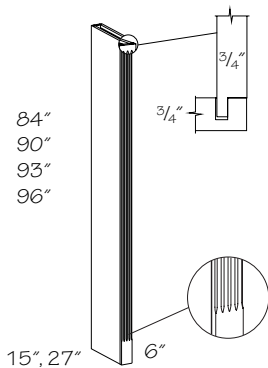
TC62796

- Front is 3/4"
- Quartersawn oak door styles have 3/4" solid quartersawn wood front and quartersawn wood veneer end panels
- Quartersawn cherry and maple door styles have 3/4" solid plain sawn wood front and plain sawn wood veneer end panels
- Finished front and both sides
- Reversible, may be installed left or right
- ☆ APFC standard when APC option is selected

PE
● APC
☆ APFC
❖ FPEB
MI
● RD
VTK
❖ WR

Tall Fluted Column

(price book pg. F39)



84" High

TFC31584

TFC32784

90" High

TFC31590

TFC32790

93" High

TFC31593

TFC32793

96" High

TFC31596

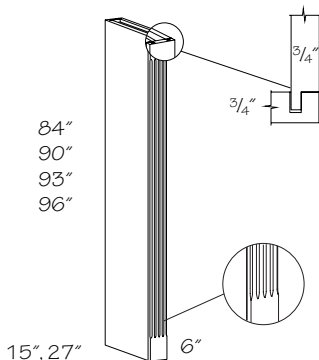
TFC32796

- Finished front and both sides
- Fluted front is 3/4" solid wood; plain sawn wood supplied for quartersawn door styles
- Quartersawn oak door styles have quartersawn wood veneer end panels. Quartersawn cherry and maple door styles have plain sawn end panels
- Reversible, may be used on either right or left end
- **Not** available in Morristown
- ☆ APFC standard when APC option is selected

PE
● APC
☆ APFC
❖ FPEB
MI
● RD
VTK
❖ WR

Plain Capital Tall Fluted Column

(price book pg. F39)



84" High

PCTFC31584

PCTFC32784

90" High

PCTFC31590

PCTFC32790

93" High

PCTFC31593

PCTFC32793

96" High

PCTFC31596

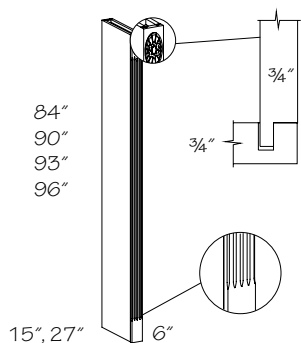
PCTFC32796

- Finished front and both sides
- Fluted front is 3/4" solid wood; plain sawn wood supplied for quartersawn door styles
- Quartersawn oak door styles have quartersawn wood veneer end panels. Quartersawn cherry and maple door styles have plain sawn end panels
- Reversible, may be used on either right or left end
- **Not** available in Morristown; Melrose and Brockton are plain sawn wood
- ☆ APFC standard when APC option is selected

PE
● APC
☆ APFC
❖ FPEB
MI
● RD
VTK
❖ WR

Rosette Tall Fluted Column

(price book pg. F39)



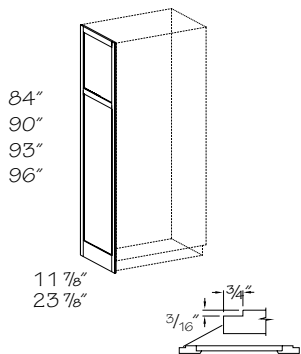
- 84" High
RTFC31584
- RTFC32784**
- 90" High
RTFC31590
- RTFC32790**
- 93" High
RTFC31593
- RTFC32793**
- 96" High
RTFC31596
- RTFC32796**

- Finished front and both sides
- Fluted front is 3/4" solid wood; plain sawn wood supplied for quartersawn door styles
- Quartersawn oak door styles have quartersawn wood veneer end panels. Quartersawn cherry and maple door styles have plain sawn end panels
- Applied decorative rosette
- Reversible, may be used on either right or left end
- Laminates are painted hardwood
- **Not** available in Morristown; Melrose and Brockton are plain sawn wood
- ☆ APFC standard when APC option is selected

PE
● APC
☆ APFC
◇ FPFB
MI
● RD
● VTK
◇ WR

Universal Tall End Panel

(price book pg. F39)



- UTE2484**
- UTE2490**
- UTE2493**
- UTE2496**

- 3/4" thick frame with square recessed panel
- Field installation only
- Reversible, may be used on either right or left end
- **Not** available in laminate door styles
- **Not** available in Morristown; Brockton, Melrose and Putnam Oak supplied plain sawn
- ☆ Wide Bottom Rail—field notch for toe kick



Do **not** order a Universal Tall End Panel (UTE) when using Matching Wall and Base End Panels (MWEP and MBEP) in the rest of the kitchen. UTE's do **not** have a matching profile, therefore, they will **not** match the doors.

PE
● APC
☆ APFC
◇ FPFB
MI
● RD
● VTK
☆ WR

Matching Tall End Panel Beaded

(price book pg. F39)

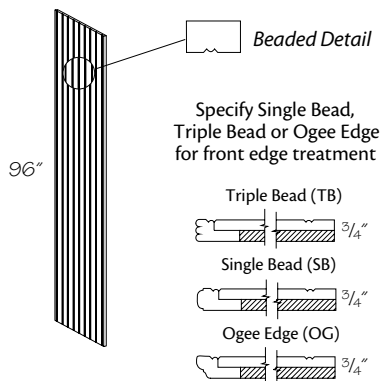
- MTEPBE1396 -SB -TB or -OG**
13 1/8" x 96" x 3/4"
- MTEPBE2596 -SB -TB or -OG**
25 1/8" x 96" x 3/4"
- MTEPBE3396 -SB -TB or -OG**
33 1/8" x 96" x 3/4"

Peninsula

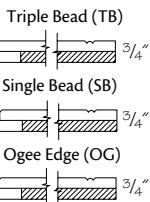
- PMTEPBE1396 -SB -TB or -OG**
14 1/4" x 96" x 3/4"
- PMTEPBE2596 -SB -TB or -OG**
26 1/4" x 96" x 3/4"
- PMTEPBE3396 -SB -TB or -OG**
34 1/4" x 96" x 3/4"

- Grooves are 3" on center
- Laminates are painted hardwood
- **Note:** MTEPBE is a 3/8" plywood panel with 3/8" horizontal backer strips and solid 3/4" wood edge molding
- **Not** available in Morristown; Brockton, Melrose and Putnam Oak supplied plain sawn

PE
● APC
☆ APFC
◇ FPFB
MI
● RD
● VTK
WR



Specify Single Bead, Triple Bead or Ogee Edge for front edge treatment



Tall End Panel

(price book pg. F39)

Viraguard

- **VTEP84** 24" x 84" x 3/4"
- **VTEP90** 24" x 90" x 3/4"
- **VTEP93** 24" x 93" x 3/4"
- **VTEP96** 24" x 96" x 3/4"
- **DVTEP84** 32" x 84" x 3/4"
- **DVTEP90** 32" x 90" x 3/4"
- **DVTEP93** 32" x 93" x 3/4"
- **DVTEP96** 32" x 96" x 3/4"

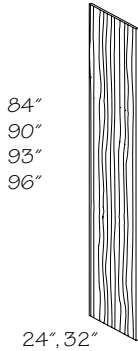
Wood Veneer

- ▲: **WTEP84** 24" x 84" x 7/8"
- ▲: **WTEP90** 24" x 90" x 7/8"
- ▲: **WTEP93** 24" x 93" x 7/8"
- ▲: **WTEP96** 24" x 96" x 7/8"
- ▲: **DWTEP84** 32" x 84" x 7/8"
- ▲: **DWTEP90** 32" x 90" x 7/8"
- ▲: **DWTEP93** 32" x 93" x 7/8"
- ▲: **DWTEP96** 32" x 96" x 7/8"

- **Not** available in Morristown; Brockton, Melrose and Putnam Oak supplied plain sawn
- ※ Laminates are painted hardwood
- ▲ Quartersawn cherry and maple door styles supplied plain sawn

- Finished to match exterior both sides
- Front edge banded to match
- ☆ APC panel only available in wood veneer
- ☆ APC panel is 11/16" thick

PE
☆ APC
APFC
FPEB
MI
RD
VTK
WR



Tall End Panel w/Stile

(price book pg. F39)

Specify R or L
84" High

TEP1 1/2 R or L-84

TEP3 R or L-84

90" High

TEP1 1/2 R or L-90

TEP3 R or L-90

93" High

TEP1 1/2 R or L-93

TEP3 R or L-93

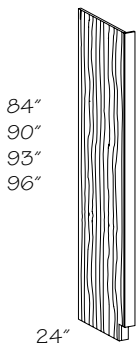
96" High

TEP1 1/2 R or L-96

TEP3 R or L-96

- Left shown
- Toe kick shipped attached
- Exterior finished to match, interior is Natural Birch Viraguard

● PE
● APC
● APFC
● FPEB
● MI
● RD
● VTK
● WR



Refrigerator End Panel w/Stile

(price book pg. F39)

32" Deep
84" High

DREP1 1/2-84

DREP3-84

90" High

DREP1 1/2-90

DREP3-90

93" High

DREP1 1/2-93

DREP3-93

96" High

DREP1 1/2-96

DREP3-96

24" Deep
84" High

REP1 1/2-84

REP3-84

90" High

REP1 1/2-90

REP3-90

93" High

REP1 1/2-93

REP3-93

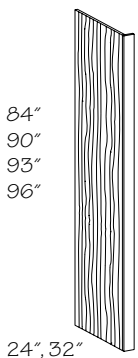
96" High

REP1 1/2-96

REP3-96

- Reversible
- Exterior finished to match, interior is Natural Birch Viraguard

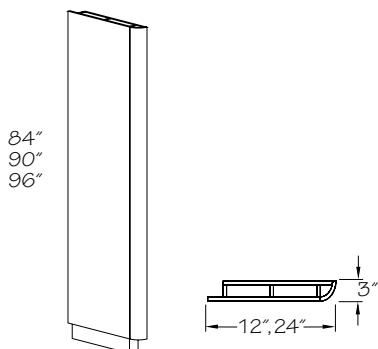
● PE
● APC
● APFC
● FPEB
● MI
● RD
● VTK
● WR



Tall Curved End Panel

(price book pg. F39)

- TEP3-1284CEP**
- TEP3-2484CEP**
- TEP3-1290CEP**
- TEP3-2490CEP**
- TEP3-1296CEP**
- TEP3-2496CEP**



- 5/8" wood veneer construction
- Reversible, may be used on either right or left end
- Curved matching toe kick included and shipped separately
- **Not** available in Morristown; Brockton, Melrose and Putnam Oak supplied plain sawn

PE
APC
APFC
FPEB
MI
RD
VTK
WR

Sub Zero End Panel

(price book pg. F39)

Viraguard

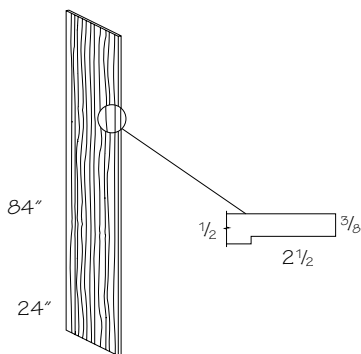
24" Deep

■ **VZEP84**

Wood Veneer

24" Deep

▲:WZEP84



- Reversible
- Panel notched to accept Sub Zero trim kit
- ☆ APC panel only available in wood veneer
- ☆ APC panel is 11/16" thick

PE
☆ APC
APFC
FPEB
MI
● RD
VTK
WR

■ **Not** available in Morristown; Brockton, Melrose and Putnam Oak supplied plain sawn

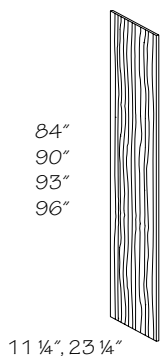
✱ Laminates are painted hardwood

▲ Quartersawn cherry and maple door styles supply in plain sawn wood

Tall Skin-Viraguard

(price book pg. D116, E81, F39, J2)

- VSK1284** 11 1/4" x 84" x 1/8"
- VSK2484** 23 1/4" x 84" x 1/8"
- VSK1290** 11 1/4" x 90" x 1/8"
- VSK2490** 23 1/4" x 90" x 1/8"
- VSK1293** 11 1/4" x 93" x 1/8"
- VSK2493** 23 1/4" x 93" x 1/8"
- VSK1296** 11 1/4" x 96" x 1/8"
- VSK2496** 23 1/4" x 96" x 1/8"



- Viraguard paneling is finished one side except as indicated
- Edges are unfinished with no edgbanding
- **Not** available in Morristown; Brockton, Melrose and Putnam Oak supplied plain sawn



Remember that most flat panels will **not** take glaze finishes like doors and molding due to little or no hang-up.

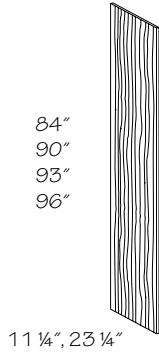
When choosing a glaze finish, consider using a matching end panel on exposed ends of cabinets.

PE
APC
APFC
FPEB
MI
RD
VTK
WR

Tall-Skin-Wood Veneer

(price book pg. D116, E81, F40, J1)

- WSK1284** 11 1/4" x 84" x 3/16"
- WSK2484** 23 1/4" x 84" x 3/16"
- WSK1290** 11 1/4" x 90" x 3/16"
- WSK2490** 23 1/4" x 90" x 3/16"
- WSK1293** 11 1/4" x 93" x 3/16"
- WSK2493** 23 1/4" x 93" x 3/16"
- WSK1296** 11 1/4" x 96" x 3/16"
- WSK2496** 23 1/4" x 96" x 3/16"



- Plywood construction
- Quartersawn oak door styles are quartersawn wood veneer
- Quartersawn cherry and maple door styles are plain sawn wood veneer
- Finished one side only
- Edges are unfinished with no edgbanding



Remember to order a 3/16" skin (WSK) for the exposed ends of 93" & 96" high tall cabinets to conceal the seam between the loose toe kick and the cabinet.

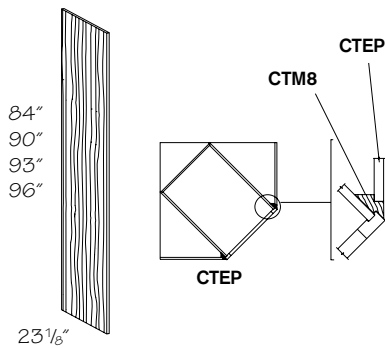
PE
APC
APFC
FPEB
MI
RD
VTK
WR

Corner Tall End Panel

(price book pg. F40)

Wood Veneer

- WCTEP84** 23 1/8" x 84" x 1/2"
- WCTEP90** 23 1/8" x 90" x 1/2"
- WCTEP93** 23 1/8" x 93" x 1/2"
- WCTEP96** 23 1/8" x 96" x 1/2"



- Quartersawn oak door styles are quartersawn wood veneer
- Quartersawn cherry and maple door styles supply in plain sawn wood
- See Option #2 in Diagonal Installation of Standard Tall Cabinets in this book

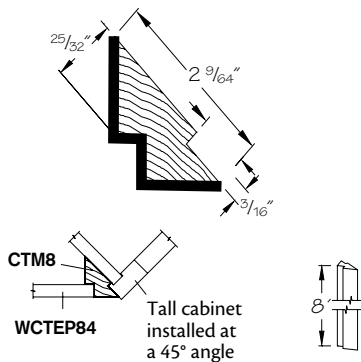
PE
● APC
APFC
FPEB
MI
RD
VTK
WR

Corner Tall Molding

(price book pg. F40, L14)

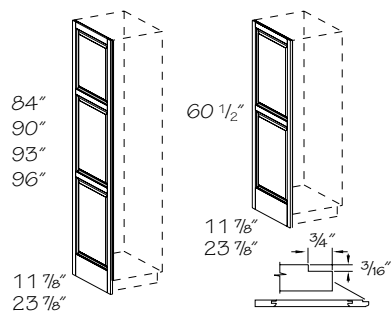
CTM8

- Solid wood
- Laminates are painted hardwood
- **Note:** For use with WCTEP 84 or 96 only; will **not** work with WTEP
- See Option #2 in Diagonal Installation of Standard Tall Cabinets in this book
- ☆ Maple supplied for Birch
- ☆ Oak supplied for Hickory
- ☆ Quartersawn door styles will be supplied in plain sawn wood



PE
APC
APFC
FPEB
MI
RD
VTK
WR

Note: Heavy, dark lines indicate finished surfaces.



Standard edge detail—fits flush against 1/2" end panel and behind face frame

Matching Tall End Panel

(price book pg. F42)

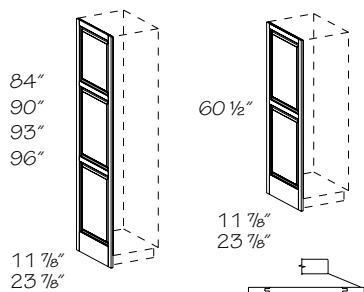
MTEP1260 R or L
MTEP2460 R or L
MTEP1284 R or L
MTEP2484 R or L
MTEP1290 R or L
MTEP2490 R or L
MTEP1293 R or L
MTEP2493 R or L
MTEP1296 R or L
MTEP2496 R or L

- 3/4" thick panel with matching door edge profile on front edge only
- Left shown
- Field installation only
- **Not** available in Morristown
- **Not** available in laminate door styles
- **Not** available in slab door styles
- **Not** available in mitered door styles; use End Panel-Mitered
- ☆ Wide Bottom Rail—field notch for toe kick



When designing with Matching End Panels the reveal will differ from the cabinet door height reveal. Matching End Panels cover the entire side of the cabinet. See drawing for exact measurements.

PE
APC
APFC
FPEB
MI
RD
VTK
☆ WR



Will not fit flush against 1/2" end panel, a 3/16" shim is recommended

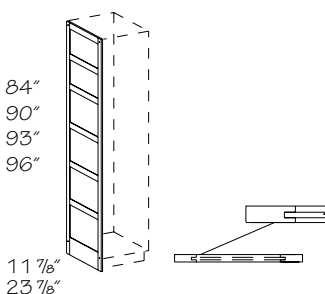
Matching Tall End Panel—Square Edges

(price book pg. F42)

MTEP1260 S
MTEP2460 S
MTEP1284 S
MTEP2484 S
MTEP1290 S
MTEP2490 S
MTEP1293 S
MTEP2493 S
MTEP1296 S
MTEP2496 S

- 3/4" thick panel with square edge front and back
- Field installation only
- Reversible, may be used on either right or left end
- No frame recess dado
- **Not** available in Morristown
- **Not** available in laminate door styles
- **Not** available in slab door styles
- **Not** available in mitered door styles; use End Panel-Mitered
- ☆ Wide Bottom Rail—field notch for toe kick

PE
APC
APFC
FPEB
MI
RD
VTK
☆ WR



Will not fit flush against 1/2" end panel, a 3/16" shim is recommended

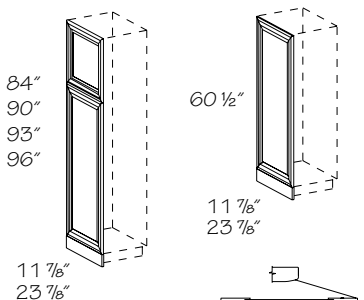
Recessed Matching Tall End Panel

(price book pg. F44)

RMTEP1260 -M
RMTEP2460 -M
RMTEP1284 -M
RMTEP2484 -M
RMTEP1290 -M
RMTEP2490 -M
RMTEP1293 -M
RMTEP2493 -M
RMTEP1296 -M
RMTEP2496 -M

- Quartersawn solid wood
- 3/4" thick
- Recessed panel grain runs horizontally
- Field installation only
- Reversible, may be installed left or right
- Available in Morristown door style only
- ☆ Wide Bottom Rail—field notch for toe kick

PE
APC
APFC
FPEB
MI
RD
VTK
☆ WR



Will not fit flush against 1/2" end panel, a 3/16" shim is recommended

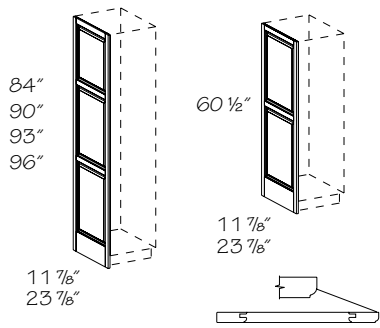
Matching Tall End Panel—Mitered

(price book pg. F44)

M-MTEP1260
M-MTEP2460
M-MTEP1284
M-MTEP2484
M-MTEP1290
M-MTEP2490
M-MTEP1293
M-MTEP2493
M-MTEP1296
M-MTEP2496

- 3/4" thick panel with matching door edge profile on four sides
- Field installation only
- Reversible, may be used on either right or left end
- Top, bottom and toe kick shipped separately
- Available in mitered door styles only

PE
APC
APFC
FPEB
MI
RD
VTK
WR



Furniture Matching Tall End Panel

(price book pg. F44)

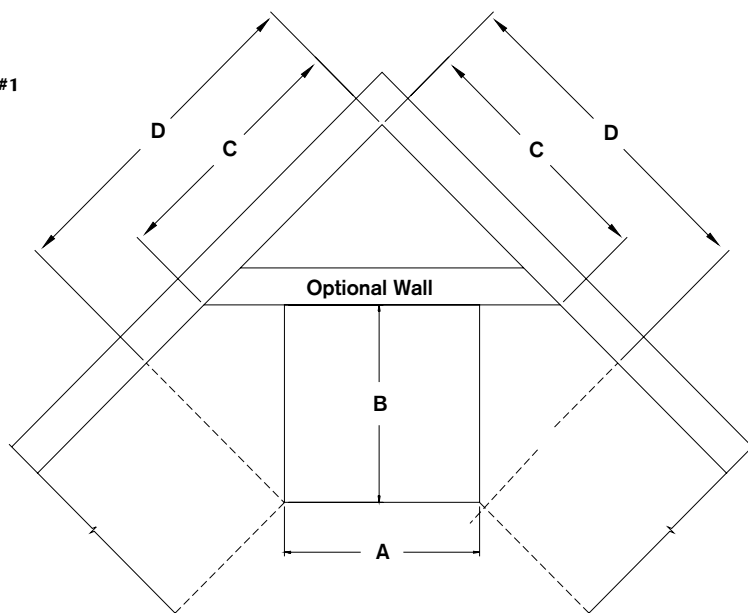
FMTEP1260 R or L
FMTEP2460 R or L
FMTEP1284 R or L
FMTEP2484 R or L
FMTEP1290 R or L
FMTEP2490 R or L
FMTEP1293 R or L
FMTEP2493 R or L
FMTEP1296 R or L
FMTEP2496 R or L

- 3/4" thick panel with matching door edge profile on front edge only
- Left shown
- Field installation only
- For use with Furniture Plywood Ends (FPEB)—flush ends
- **Not** available in Morristown
- **Not** available in laminate door styles
- **Not** available in slab door styles
- **Not** available in mitered door styles; use End Panel-Mitered
- ☆ Wide Bottom Rail—field notch for toe kick

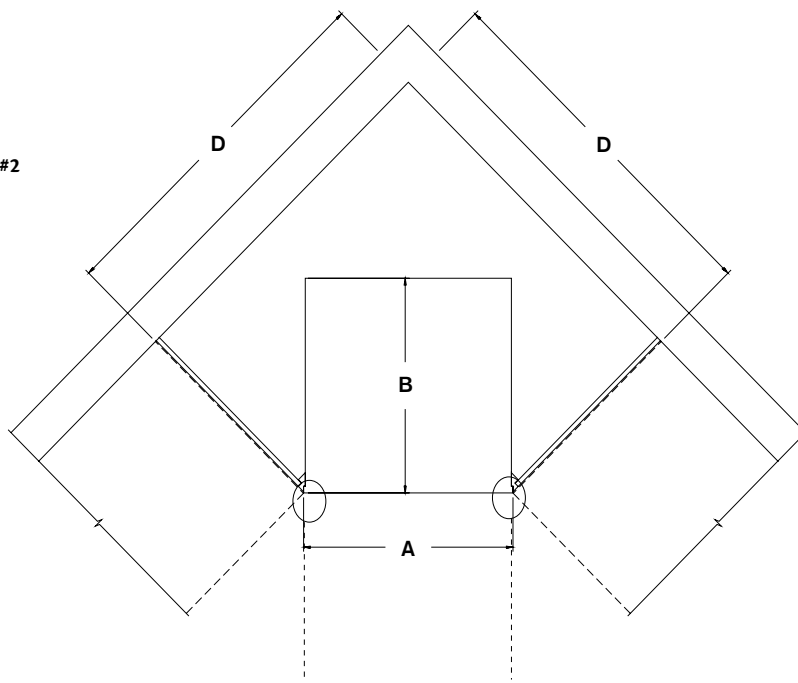
PE
APC
APFC
FPEB
MI
RD
VTK
☆ WR

Diagonal Installation of Standard Tall Cabinets

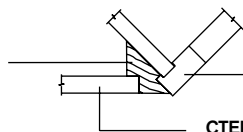
Option #1



Option #2



CTM8
Solid Wood Molding



Note: Fillers are always recommended at both sides of cabinet junction points to allow for wall variations and drawer clearances.

Cabinet Width "A"	Cabinet Width "B"	Wall Dimensions "C"	Wall Dimensions "D"	Cabinet Depth "B"	Wall Dimensions "C"	Wall Dimensions "D"
15"	12"	18 1/4"	23 1/4"	24"	24 3/8"	34 3/8"
18"	12"	20 3/8"	25 3/8"	24"	26 3/8"	36 3/8"
24"	12"	24 3/8"	29 3/8"	24"	31"	40 1/8"
27"	N/A	N/A	N/A	24"	33 1/8"	43 1/8"
30"	12"	28 3/8"	33 3/8"	24"	35 1/8"	45 3/8"
33"	N/A	N/A	N/A	24"	37 3/8"	47 5/8"
36"	12"	33 1/8"	38 1/8"	24"	39 1/2"	49 1/2"