

Vanity Cabinets

Construction Options and Modifications

- --- Available with an upcharge
- ☆ --- Available with exceptions
- ◆ --- Included as standard
- (Blank) - Not available



Look for the Harmony® storage solutions symbol

Note: Standard vanity cabinet box depth is 18" or 21" unless stated otherwise. Add door thickness for total depth. Standard vanity cabinet height is 34 1/2" unless stated otherwise.

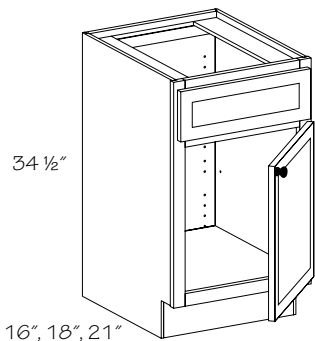
All double door cabinets will have butt doors unless stated otherwise. When BUTT is in all capitals, it must be included as part of your ordering nomenclature. A (Butt) in parentheses is for your information and isn't required on an order form.

Material dimensions may be nominal based on lumber industry standards.

Specifications subject to change without notice.

- PE --- Plywood Ends
- APC --- All Plywood Construction
- APFC --- All Plywood Furniture Construction
- DE --- Integrated Decorative End
- FPEB --- Furniture Plywood Ends
- GD --- Glass Doors
- IF --- Inverted Frame
- MI --- Matching Interior
- RD --- Reduced Depth
- RTK --- Recessed Toe Kick
- TWR --- Top Wide Rail
- VTK --- Void Toe Kick
- WR --- Wide Bottom Rail
- XS --- Extended Stile

VCD	30	18	34
code	width	depth	height



Vanity Sink Base Single Door

(price book pg. G2)

Specify R or L
16" Deep

VSB181634 R or L

VSB211634 R or L

18" Deep

VSB181834 R or L

VSB211834 R or L

21" Deep

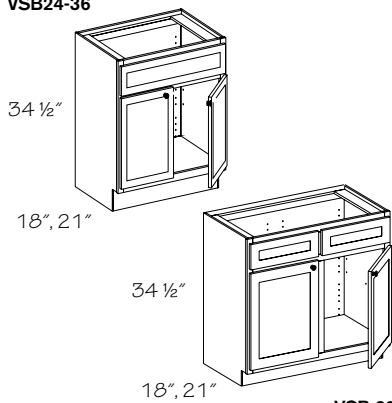
VSB182134 R or L

VSB212134 R or L

- Single door and drawer front
- Optional Utensil Tray Kits (UTK and SUTK) are available

- PE
- APC
- APFC
- DE
- FPEB
- GD
- IF
- MI
- RD
- RTK
- TWR
- VTK
- WR
- XS

VSB24-36



Vanity Sink Base Double Door

(price book pg. G2)

18" Deep

VSB241834

VSB271834

VSB301834

VSB331834

VSB361834

◆▲ **VSB391834**

21" Deep

VSB242134

VSB272134

VSB302134

VSB332134

VSB362134

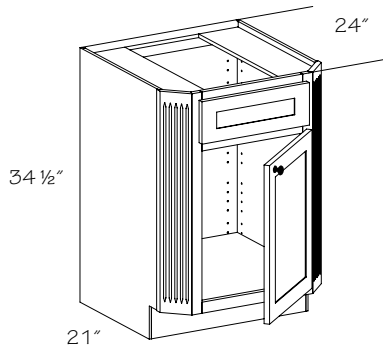
◆▲ **VSB392134**

◆ 3" center stile

▲ Deluxe Dovetailed full-width Trays (DXFWT) **not** available

- Single or double drawer front
- Optional Utensil Tray Kits (UTK and SUTK) are available

- PE
- APC
- APFC
- DE
- FPEB
- GD
- IF
- MI
- RD
- RTK
- TWR
- VTK
- WR
- XS



Vanity Sink Base—Fluted Clipped Corners

(price book pg. G2)

VSBFCC242434 R or L

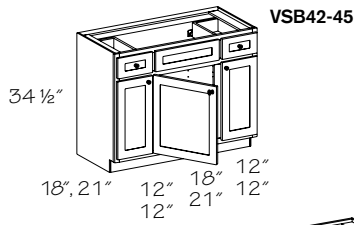
VSBFCC272434 R or L

VSBFCC302434

VSBFCC332434

- Single drawer front
- No shelf
- Optional Utensil Tray Kits (UTK and SUTK) are available
- Optional Door Storage Unit (SBDSU) is available
- Angled stiles extend 3" each side
- Nominal width is overall cabinet width. Example: VSBFCC302434 is 30" wide.
- Factory installed Roll-out Trays (ROT) are **not** available
- **Not** available in Morristown; Melrose and Brockton are plain sawn wood

- PE
- APC
- APFC
- DE
- FPEB
- GD
- IF
- MI
- RD
- RTK
- TWR
- VTK
- WR
- XS



Vanity Sink Base Four Door

(price book pg. G2)

18" Deep

※ **VSB421834**

※ **VSB451834**

VSB481834

VSB601834

21" Deep

※ **VSB422134**

※ **VSB452134**

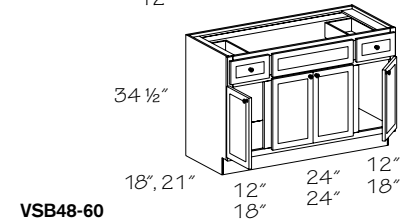
VSB482134

VSB602134

※ Center door hinged left only

- Two working drawers with one false drawer front

- PE
- APC
- APFC
- DE
- FPEB
- GD
- IF
- MI
- RD
- RTK
- TWR
- VTK
- WR
- XS



Vanity Sink Base Two Drawer

(price book pg. G2)

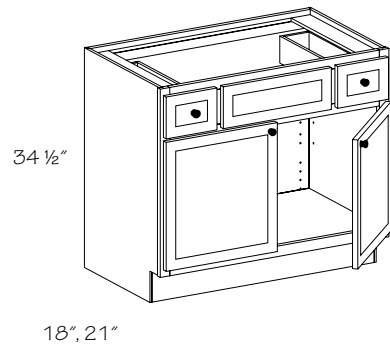
18" Deep

VSB361834 •2

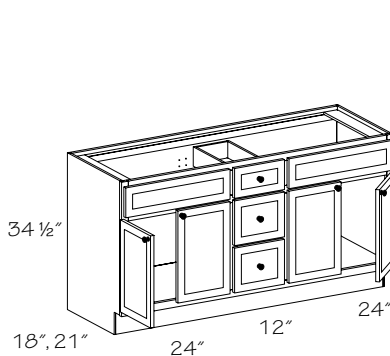
21" Deep

VSB362134 •2

- Two working drawers
- 18" center section with false drawer front
- 3" or larger pulls cannot be used on drawer fronts on Greenwich



- PE
- APC
- APFC
- DE
- FPEB
- GD
- IF
- MI
- RD
- RTK
- TWR
- VTK
- WR
- XS



Vanity Sink Base Three Drawer

(price book pg. G4)

18" Deep

VSB601834 •3

21" Deep

VSB602134 •3

- Two pair of butt doors
- Three drawer stack in center

- PE
- APC
- APFC
- DE
- FPEB
- GD
- IF
- MI
- RD
- RTK
- TWR
- VTK
- WR
- XS

Vanity Sink Base Four Drawer

(price book pg. G4)

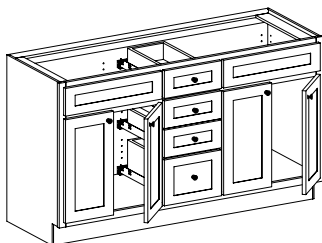
VSB601834 -4

VSB602134 -4

Color coding indicates new product, size or code

- Two pair of butt doors
- Four drawer stack in center
- Three standard drawers
- One deep drawer
- Two drawer fronts

34 1/2"



18", 21"

- PE
- APC
- APFC
- DE
- FPEB
- GD
- IF
- MI
- RD
- RTK
- TWR
- VTK
- WR
- XS

Vanity Sink Base Bottom Drawer

(price book pg. G4)

16" Deep

VSB181634 R or L-BD

18" Deep

VSB181834 R or L-BD

VSB241834 -BD

VSB301834 -BD

VSB361834 -BD

▲ **VSB361834 -2BD**

21" Deep

VSB182134 R or L-BD

VSB242134 -BD

VSB302134 -BD

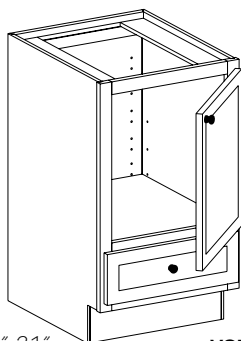
VSB362134 -BD

▲ **VSB362134 -2BD**

▲ Two drawers side by side

• 2 1/4" high drawer box

34 1/2"

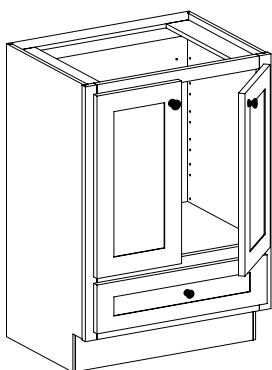


16", 18", 21"

VSB18

- PE
- APC
- APFC
- DE
- FPEB
- GD
- IF
- MI
- RD
- RTK
- TWR
- VTK
- WR
- XS

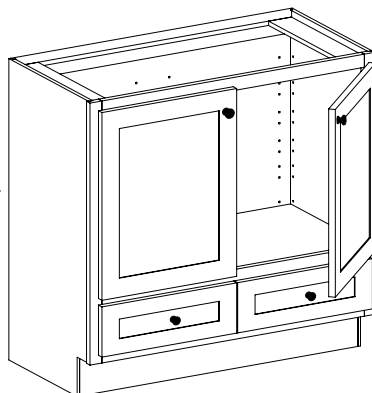
34 1/2"



16", 18", 21"

VSB24-36

34 1/2"



16", 18", 21"

VSB36-2BD

Vanity Sink Front

(price book pg. G4)

VSF1834 R or L

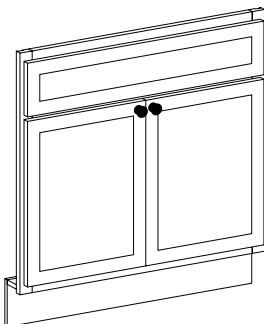
VSF2434

VSF3034

VSF3634

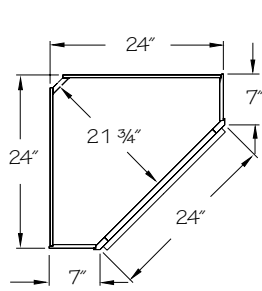
- Includes floor, shipped loose
- Toe kick included
- Optional Utensil Tray Kits (UTK and SUTK) are available
- **Not** trimmable

34 1/2"

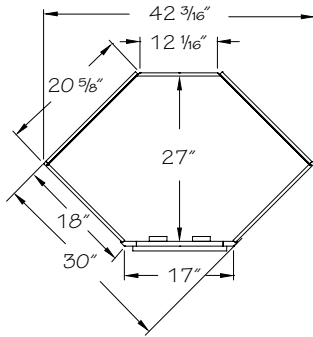


- PE
- APC
- APFC
- DE
- FPEB
- GD
- IF
- MI
- RD
- RTK
- TWR
- VTK
- WR
- XS

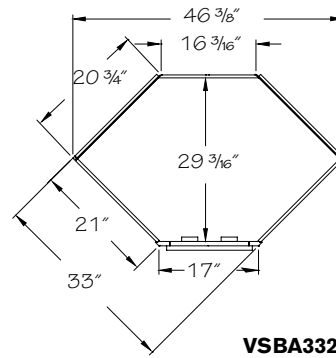
Vanity Sink Base Angle Information



VSBA242434



VSBA301834



VSBA332134

PE
APC
APFC
DE
FPEB
GD
IF
MI
RD
RTK
TWR
VTK
WR
XS

New

Vanity Sink Base Angle-Full Height

(price book pg. G4)

VSBA301834 R or L-FH

VSBA332134 R or L-FH

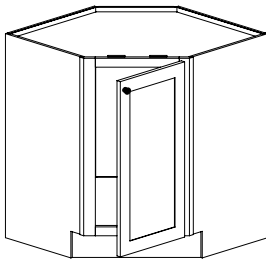
Color coding indicates new product, size or code

- No shelf
- Angled back provides clearance for installation
- Back Options (BEB and VGRB) **not** available
- Contrasting Back Options (CBEB, CPLB, CVGR) **not** available



Full overlay doors on cabinets with an angled front are intentionally narrower to allow proper clearance of adjacent cabinets.

● PE
● APC
● APFC
DE
● FPEB
● GD
IF
● MI
RD
● RTK
● TWR
● VTK
● WR
XS



34 1/2"

Vanity Sink Base Angle-Single Door

(price book pg. G6)

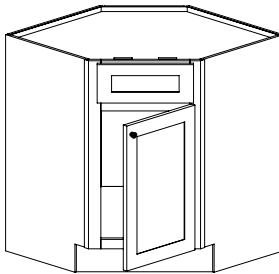
VSBA301834 R or L

VSBA332134 R or L

Color coding indicates new product, size or code

- No shelf
- One drawer front
- Optional Utensil Tray Kits (UTK and SUTK) are available
- Angled back provides clearance for installation
- Back Options (BEB and VGRB) **not** available
- Contrasting Back Options (CBEB, CPLB, CVGR) **not** available

● PE
● APC
● APFC
DE
● FPEB
● GD
IF
● MI
RD
● RTK
● TWR
● VTK
● WR
XS



34 1/2"

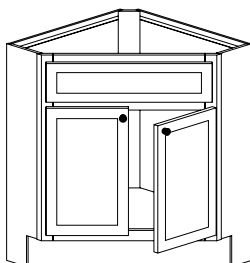
Vanity Sink Base Angle-Double Door

(price book pg. G6)

VSBA242434

- No shelf
- One drawer front
- Optional Utensil Tray Kits (UTK and SUTK) are available
- Angled back provides clearance for installation
- Back Options (BEB and VGRB) **not** available
- Contrasting Back Options (CBEB, CPLB, CVGR) **not** available

● PE
● APC
● APFC
DE
● FPEB
● GD
IF
● MI
RD
● RTK
● TWR
● VTK
● WR
XS



34 1/2"

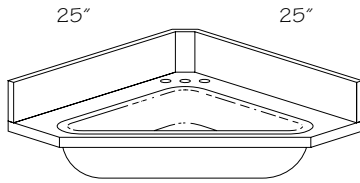
Cultured Marble Top

(price book pg. G6)

CMT2525 -102

CMT2525 -201

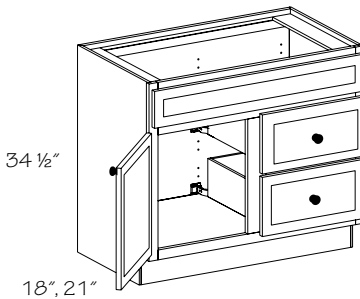
- Strata White #102 (White on White)
- Classic White #201 (solid White)
- One piece construction with 4" backsplash
- No-drip raised perimeter edge
- Integral 4" faucet drilling
- HUD-FHA ANSI Z124.3 approved



- PE
- APC
- APFC
- DE
- FPFB
- GD
- IF
- MI
- RD
- RTK
- TWR
- VTK
- WR
- XS

Vanity Combination Drawer (2)

(price book pg. G6)



Drawers Left

- VCD241834 DL2
- VCD271834 DL2
- VCD301834 DL2
- VCD331834 DL2
- VCD361834 DL2
- VCD242134 DL2
- VCD272134 DL2
- VCD302134 DL2
- VCD332134 DL2
- VCD362134 DL2

Drawer-Door widths

- 12-12
- 12-15
- 12-18
- 12-21
- 15-21
- 12-12
- 12-15
- 12-18
- 12-21
- 15-21

Drawers Right

- VCD241834 DR2
- VCD271834 DR2
- VCD301834 DR2
- VCD331834 DR2
- VCD361834 DR2
- VCD242134 DR2
- VCD272134 DR2
- VCD302134 DR2
- VCD332134 DR2
- VCD362134 DR2

Door-Drawer widths

- 12-12
- 15-12
- 18-12
- 21-12
- 21-15
- 12-12
- 15-12
- 18-12
- 21-12
- 21-15

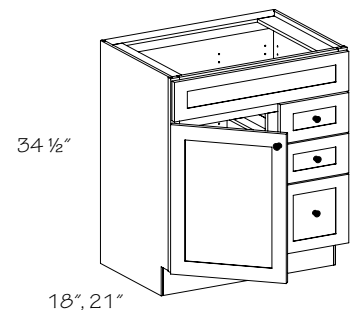
- Two deep drawers
- One drawer front

- PE
- APC
- APFC
- DE
- FPFB
- GD
- IF
- MI
- RD
- RTK
- TWR
- VTK
- WR
- XS

New

Vanity Combination Drawer (3)

(price book pg. G8)



Drawers Left

- * VCD241834 DL3
- VCD271834 DL3
- VCD301834 DL3
- VCD331834 DL3
- VCD361834 DL3
- * VCD242134 DL3
- VCD272134 DL3
- VCD302134 DL3
- VCD332134 DL3
- VCD362134 DL3

Drawers Right

- * VCD241834 DR3
- VCD271834 DR3
- VCD301834 DR3
- VCD331834 DR3
- VCD361834 DR3
- * VCD242134 DR3
- VCD272134 DR3
- VCD302134 DR3
- VCD332134 DR3
- VCD362134 DR3

- One drawer front
- Two standard drawers
- One deep drawer
- Optional Door Storage Unit (SBDSU) is available

* Sink Base Door Storage Unit (SBDSU) **not** available

- PE
- APC
- APFC
- DE
- FPFB
- GD
- IF
- MI
- RD
- RTK
- TWR
- VTK
- WR
- XS

Color coding indicates new product, size or code

Vanity Combination Drawer-Full False Front (4)

(price book pg. G8)

18" Deep

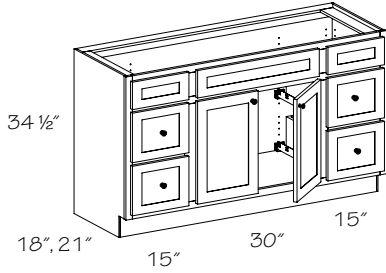
VCDF601834 -4

21" Deep

VCDF602134 -4

Color coding indicates new product, size or code

- Four deep drawers
- Three drawer fronts



- PE
- APC
- APFC
- DE
- FPEB
- GD
- IF
- MI
- RD
- RTK
- TWR
- VTK
- WR
- XS

Vanity Combination Drawer (6)

(price book pg. G8)

18" Deep

Drawer-Door-Drawer widths

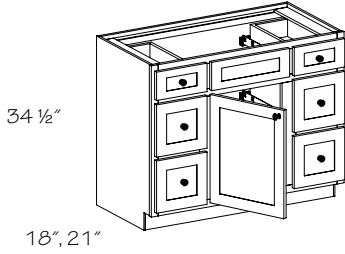
- ▲ **VCD421834 R or L-6** 12"-18"-12"
- ▲ **VCD451834 R or L-6** 12"-21"-12"
- VCD481834 -6** 12"-24"-12"
- VCD511834 -6** 12"-27"-12"
- VCD541834 -6** 15"-24"-15"
- VCD571834 -6** 15"-27"-15"
- VCD601834 -6** 18"-24"-18"

- Two standard drawers
- Four deep drawers
- One drawer front

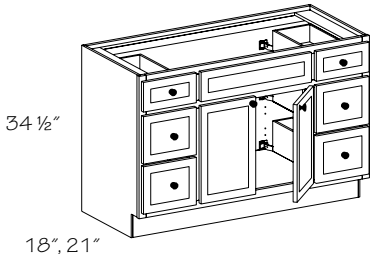
21" Deep

- ▲ **VCD422134 R or L-6** 12"-18"-12"
- ▲ **VCD452134 R or L-6** 12"-21"-12"
- VCD482134 -6** 12"-24"-12"
- VCD512134 -6** 12"-27"-12"
- VCD542134 -6** 15"-24"-15"
- VCD572134 -6** 15"-27"-15"
- VCD602134 -6** 18"-24"-18"

- ▲ Optional Door Storage Unit (SBDSU) is available



VCD42-45



VCD48-60

- PE
- APC
- APFC
- DE
- FPEB
- GD
- IF
- MI
- RD
- RTK
- TWR
- VTK
- WR
- XS

New

Vanity Combination Drawer-Full False Front (6)

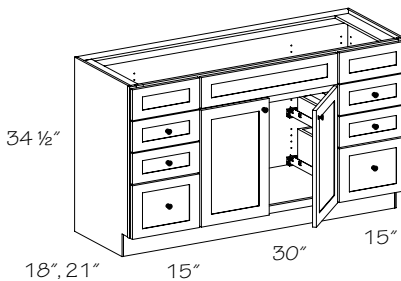
(price book pg. G10)

VCDF601834 -6

VCDF602134 -6

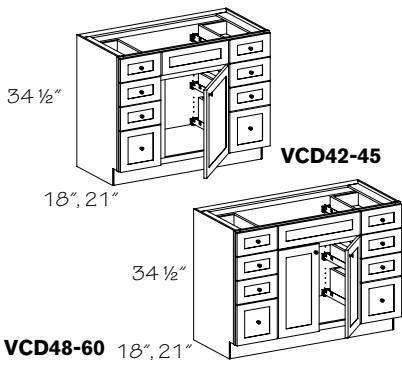
Color coding indicates new product, size or code

- Four standard drawers
- Two deep drawers
- Three drawer fronts
- Optional Door Storage Unit (SBDSU) is available



- PE
- APC
- APFC
- DE
- FPEB
- GD
- IF
- MI
- RD
- RTK
- TWR
- VTK
- WR
- XS

New



Vanity Combination Drawer (8)

(price book pg. G10)

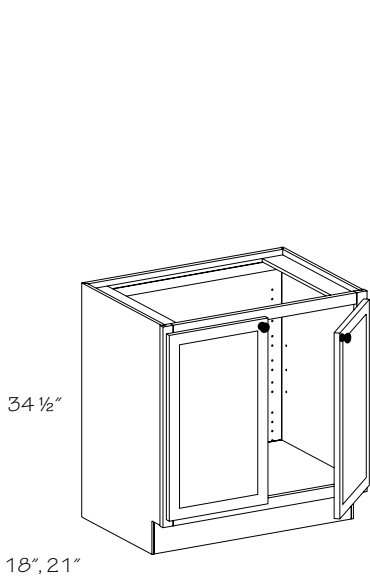
- * VCD421834 R or L-8
 - * VCD451834 R or L-8
 - VCD481834 -8
 - VCD511834 -8
 - VCD541834 -8
 - VCD571834 -8
 - * VCD601834 -8
 - * VCD422134 R or L-8
 - * VCD452134 R or L-8
 - VCD482134 -8
 - VCD512134 -8
 - VCD542134 -8
 - VCD572134 -8
 - * VCD602134 -8
- * Optional Door Storage Unit (SBDSU) is available

Color coding indicates new product, size or code

- PE
- APC
- APFC
- DE
- FPEB
- GD
- IF
- MI
- RD
- RTK
- TWR
- VTK
- WR
- XS

Vanity Cabinet Full-Height Door

(price book pg. G10)

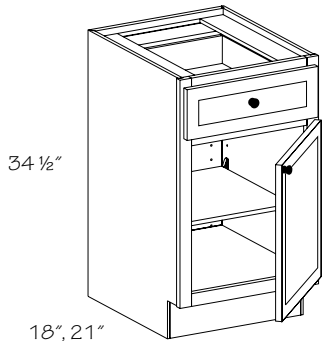


- | | |
|-----------------|-----------------|
| 18" Deep | 21" Deep |
| VC181834 R or L | VC182134 R or L |
| VC241834 | VC242134 |
| VC271834 | VC272134 |
| VC301834 | VC302134 |
| VC331834 | VC332134 |
| VC361834 | VC362134 |
| ◆ VC391834 | ◆ VC392134 |
| ■ VC421834 | ■ VC422134 |
| ▲ VC481834 | ▲ VC482134 |
- ◆ 3" center stile
 - Factory installed Roll-out Trays (ROT) are *not* available
 - ▲ Two pair of butt doors

- PE
- APC
- APFC
- DE
- FPEB
- GD
- IF
- MI
- RD
- RTK
- TWR
- VTK
- WR
- XS

Vanity Base Single Door

(price book pg. G10)



- Specify R or L
- 18" Deep
- VB121834 R or L
 - VB151834 R or L
 - VB181834 R or L
 - VB211834 R or L
- 21" Deep
- VB122134 R or L
 - VB152134 R or L
 - VB182134 R or L
 - VB212134 R or L
- One standard drawer
 - One adjustable, full-depth shelf

- PE
- APC
- APFC
- DE
- FPEB
- GD
- IF
- MI
- RD
- RTK
- TWR
- VTK
- WR
- XS

Vanity Base Double Door

(price book pg. G12)

18" Deep

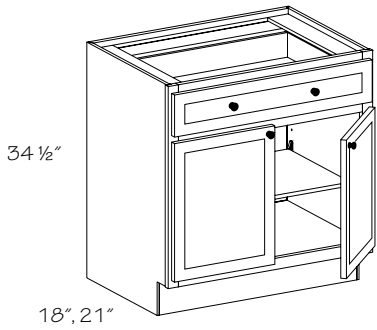
- VB241834**
- VB271834**
- VB301834**
- VB331834**
- VB361834**

21" Deep

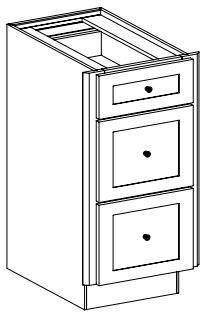
- VB242134**
- VB272134**
- VB302134**
- VB332134**
- VB362134**

- One standard drawer
- One adjustable, full-depth shelf

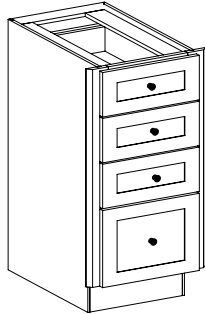
- PE
- APC
- APFC
- DE
- FPEB
- GD
- IF
- MI
- RD
- RTK
- TWR
- VTK
- WR
- XS



Vanity Drawer Base Angle Information

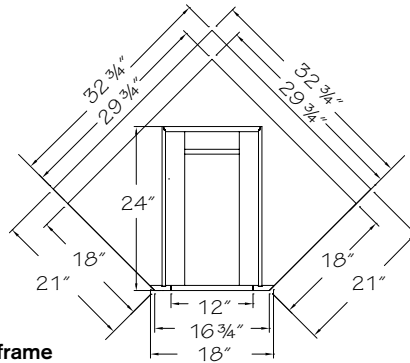


VDA•3



VDA•4

All dimensions are to outside of frame



- PE
- APC
- APFC
- DE
- FPEB
- GD
- IF
- MI
- RD
- RTK
- TWR
- VTK
- WR
- XS

New

Vanity Drawer Base Angle Three Drawer

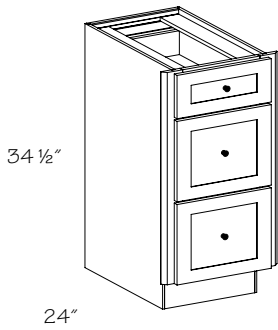
(price book pg. G12)

VDA301834 •3

VDA332134 •3

Color coding indicates new product, size or code

- Angled frame designed for diagonal corner installation only
- Scoop Top Drawer (STDW) Option available



- PE
- APC
- APFC
- DE
- FPEB
- GD
- IF
- MI
- RD
- RTK
- TWR
- VTK
- WR
- XS

New

Vanity Drawer Base Angle Four Drawer

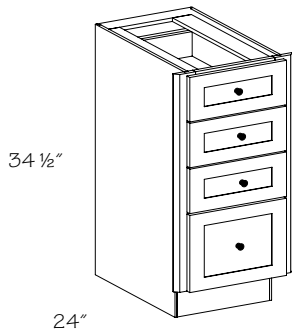
(price book pg. G12)

VDA301834 •4

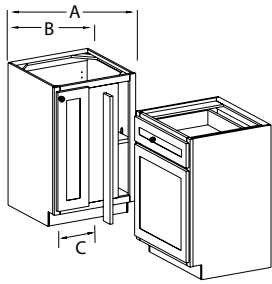
VDA332134 •4

Color coding indicates new product, size or code

- Angled frame designed for diagonal corner installation only
- Scoop Top Drawer (STDW) Option available

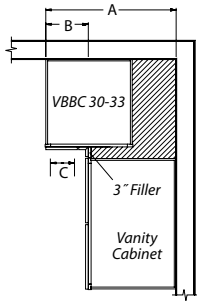


- PE
- APC
- APFC
- DE
- FPEB
- GD
- IF
- MI
- RD
- RTK
- TWR
- VTK
- WR
- XS



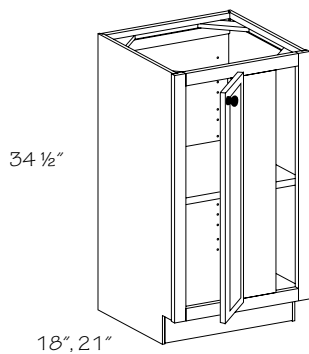
Vanity Base Blind Corner Cabinet Information

- R or L indicates blind
- Right blind shown
- All vanity blind corner cabinets must be pulled. Consult chart or pull dimensions and minimum wall space requirements.
- Door hinged on same side as blind on single door cabinets
- **Important Notes:**
 - A 3" vanity filler is included with each VBBC cabinet ordered, shipped separately. Vanity cabinet adjacent to VBBC may be ordered with an extended stile in lieu of installing supplied filler.
 - Optional blind corner overlay (OPWBC) is available for full overlay door styles only; see Base Accessories Section of this book



	½" Overlay						Full Overlay					
	Wall Space "A"		Exposed Front "B"		Door Open	Cab. Width	Wall Space "A"		Exposed Front "B"		Door Open	Cab. Width
	Min ★	Max.	Min ★	Max	C		Min ★	Max	Min ★	Max	C	
VBBC 3018	28 ½"	32 ½"	10 ½"	13 ½"	6"	18"	30"	32 ½"	12"	13 ½"	6"	18"
VBBC 33	31 ½"	37 ¾"	10 ½"	16 1/8"	6"	21"	33"	38 ¾"	12"	17 7/8"	6"	21"

★ Dimensions "A" and "B" minimum requirements include optional decorative hardware clearance. You may deduct 1 1/4" if hardware is not used.



Vanity Base Blind Corner

(price book pg. G12)

Specify R or L
18" Deep

※ **VBBC301834 R or L**

21" Deep

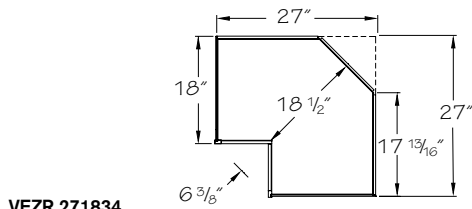
※ **VBBC332134 R or L**

※ Greenwich, Harlowe, Smithton and Vanderbilt doors will have a solid, recessed flat panel.

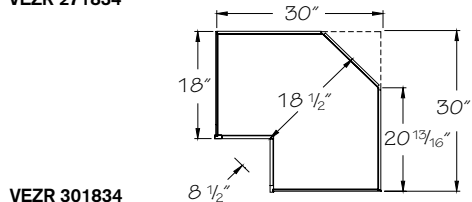
- Door is hinged from blind panel
- R or L indicates blind
- Right blind shown
- 3" filler included
- One adjustable, full-depth shelf

- PE
- APC
- APFC
- DE
- FPFB
- GD
- IF
- MI
- RD
- RTK
- TWR
- VTK
- WR
- XS

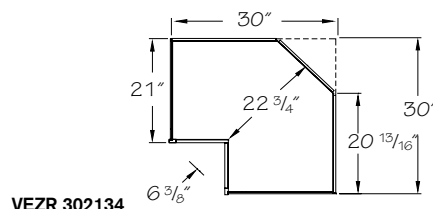
Vanity Easy Reach Information



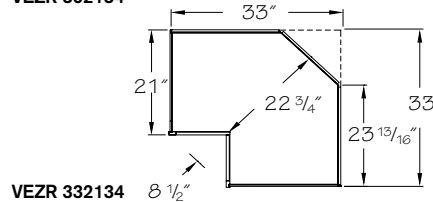
VEZR 271834



VEZR 301834



VEZR 302134



VEZR 332134

- PE
- APC
- APFC
- DE
- FPFB
- GD
- IF
- MI
- RD
- RTK
- TWR
- VTK
- WR
- XS

Vanity Easy Reach

(price book pg. G12)

Specify R or L
18" Deep

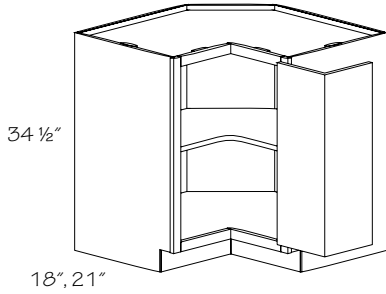
- ◆ **VEZR271834 R or L**
VEZR301834 R or L
21" Deep

- ◆ **VEZR302134 R or L**
VEZR332134 R or L

- ◆ Greenwich, Harlowe, Smithton and Vanderbilt doors will have a solid, recessed flat panel.
Courtney doors will have a veneer, recessed flat panel.

- One fixed shelf
- Doors are profiled on one long and two short edges and are connected with hinges
- Angled back provides clearance for installation
- Contrasting Back Options (CBEB, CPLB, CVGR) **not** available

- PE
- APC
- APFC
- DE
- FPEB
- GD
- IF
- MI
- RD
- RTK
- TWR
- VTK
- WR
- XS



34 1/2"

18", 21"

New

Vanity Wood Lazy Susan

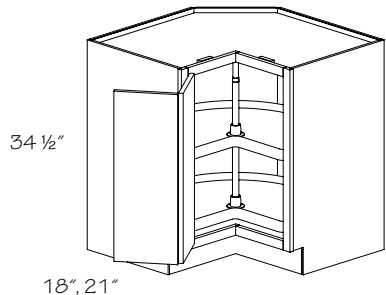
(price book pg. G12)

VEZR332134 R or L-WSS

Color coding indicates new product, size or code

- Two pie-cut 28" diameter rotating shelves
- Angled back provides clearance for installation
- Doors are profiled on one long and two short edges and are connected with hinges
- Face frame is scooped for hinge installation on full overlay door styles
- Greenwich, Harlowe, Smithton and Vanderbilt doors will have a solid, recessed flat panel.
- Back Options (BEB and VGRB) **not** available
- Contrasting Back Options (CBEB, CPLB, CVGR) **not** available

- PE
- APC
- APFC
- DE
- FPEB
- GD
- IF
- MI
- RD
- RTK
- TWR
- VTK
- WR
- XS



34 1/2"

18", 21"

Vanity Base Drawer

(price book pg. G14)

18" Deep

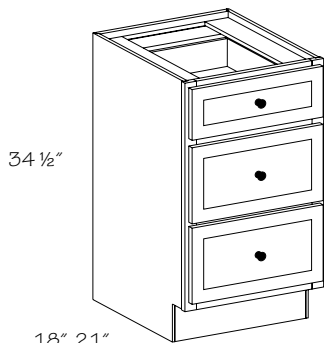
- VBD121834 -3**
- VBD151834 -3**
- VBD181834 -3**
- VBD211834 -3**
- VBD241834 -3**
- VBD271834 -3**

21" Deep

- VBD122134 -3**
- VBD152134 -3**
- VBD182134 -3**
- VBD212134 -3**
- VBD242134 -3**
- VBD272134 -3**

- One standard drawer
- Two deep drawers

- PE
- APC
- APFC
- DE
- FPEB
- GD
- IF
- MI
- RD
- RTK
- TWR
- VTK
- WR
- XS



34 1/2"

18", 21"

Vanity Base Four Drawer

(price book pg. G14)

18" Deep

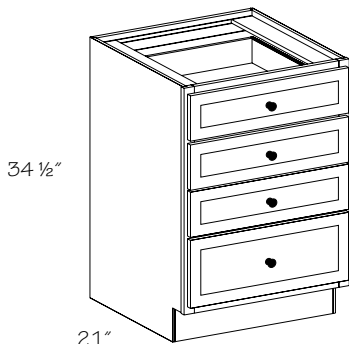
- VBD121834 -4**
- VBD151834 -4**
- VBD181834 -4**
- VBD211834 -4**
- VBD241834 -4**

21" Deep

- VBD122134 -4**
- VBD152134 -4**
- VBD182134 -4**
- VBD212134 -4**
- VBD242134 -4**

- Three standard drawers
- One deep drawer

- PE
- APC
- APFC
- DE
- FPEB
- GD
- IF
- MI
- RD
- RTK
- TWR
- VTK
- WR
- XS



34 1/2"

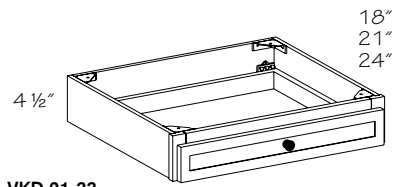
21"



- ☆ PE
- APC
- APFC
- DE
- FPFB
- GD
- IF
- MI
- RD
- RTK
- TWR
- VTK
- WR
- XS

Vanity Knee Drawer

(price book pg. G14)



VKD 21-33

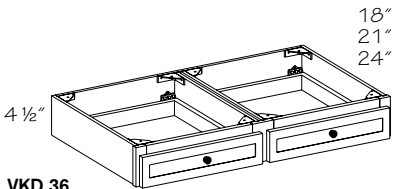
- VKD2418
- VKD2718
- VKD3018
- VKD3318

▲ VKD3618

- VKD2421
- VKD2721
- VKD3021
- VKD3321

▲ VKD3621

▲ Two drawers side by side



VKD 36

- Unit is designed for use between two vanity cabinets
- Slab drawer front in all door styles except Bedford, Fairport, Huntington, Lyndale and Mandalay
- If DRPD option is selected, the drawer front will be 3/4" slab with matching door profile for Bridgewater, Bridgewater Cathedral, Brookfield Birch, Cherry, Hickory, Maple and Oak
- **Not** trimmable
- ☆ End panels are 1/2" plywood with natural birch viraguard interior and exterior



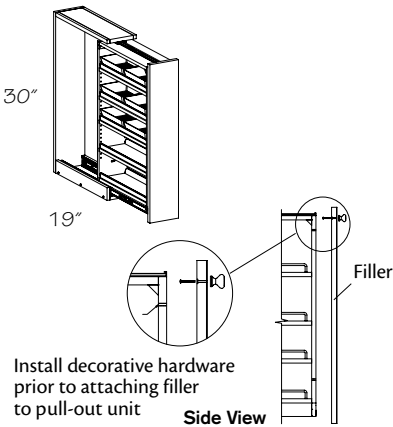
- PE
- APC
- APFC
- DE
- FPFB
- GD
- IF
- MI
- RD
- RTK
- TWR
- VTK
- WR
- XS

Vanity Filler Pull-out

(price book pg. G14)

VFP32130

VFP62130



- Quartersawn door styles will be supplied in plain sawn wood
- A filler overlay is recommended for full overlay door styles; must be ordered separately
- Recommended installation is between two cabinets
- Installation may also be made between a cabinet and a wall or a cabinet and an end panel
- Unit slides on full extension side-mount runners
- Four adjustable shelves, one fixed shelf
- Includes six clear plastic trays; replacements available. See Vanity Accessories section of this book.
- Filler is included, but unattached. Unit should be installed before removing shipping brace and attaching filler.
- No toe kick



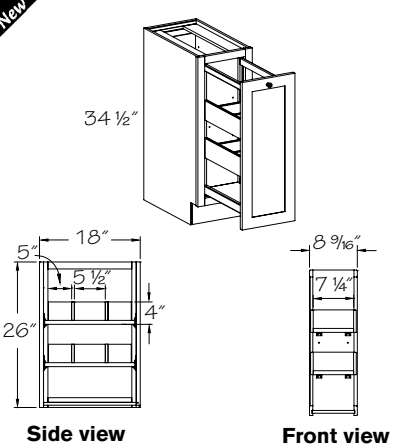
- PE
- APC
- APFC
- DE
- FPFB
- GD
- IF
- MI
- RD
- RTK
- TWR
- VTK
- WR
- XS

Vanity Base Pull-out

(price book pg. G14)

VBP122134 7 1/2" shelf width

Color coding indicates new product, size or code



- One fixed wood shelf attached to the bottom of a full-height door
- Two adjustable shelves
- Two removable dividers in each adjustable shelf
- Unit slides on heavy duty full extension runners with integrated buffer

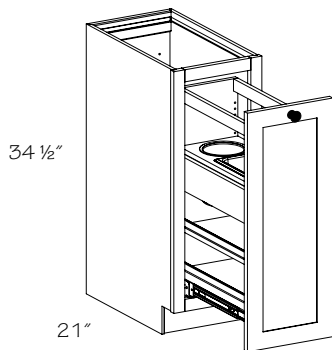


- PE
- APC
- APFC
- DE
- FPFB
- GD
- IF
- MI
- RD
- RTK
- TWR
- VTK
- WR
- XS

Vanity Base Pull-out Appliance

(price book pg. G16)

VPOA122134



- One fixed wood shelf attached to the bottom of a full-height door
- Two adjustable shelves
- Unit slides on full extension side-mount runners
- Includes two metal trays for curling irons, hair dryers, etc

New

Vanity Base Top Mount Wastebasket-Double

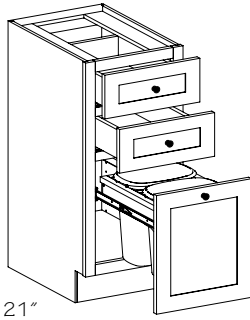
(price book pg. G16)

VBWBT152134

Color coding indicates new product, size or code

- 10 quart capacity baskets
- Basket(s) are easily removable for emptying or cleaning
- Basket(s) rest in a natural maple plywood frame
- Frame slides on full extension glides

34 1/2"



21"

- PE
- APC
- APFC
- DE
- FPEB
- GD
- IF
- MI
- RD
- RTK
- TWR
- VTK
- WR
- XS

New

Vanity Base Hamper Top Mount

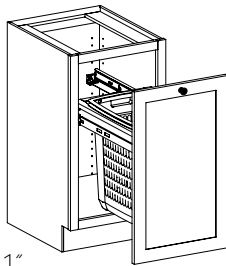
(price book pg. G16)

VHBT182134

Color coding indicates new product, size or code

- Hamper is mold and mildew resistant white plastic
- Hamper is easily removable for emptying or cleaning
- Hamper has lid
- Frame slides on extra-extended full extension glides

34 1/2"



21"

- PE
- APC
- APFC
- DE
- FPEB
- GD
- IF
- MI
- RD
- RTK
- TWR
- VTK
- WR
- XS

Vanity Hamper Base

(price book pg. G16)

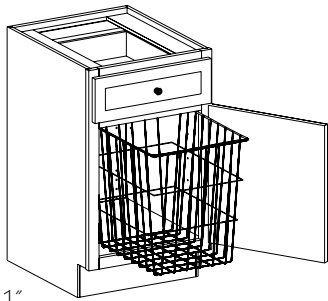
Specify R or L

VHB152134 R or L

VHB182134 R or L

- One standard drawer
- Epoxy coated pull-out hamper
- Hamper Dimensions:
11" W x 17" H x 19" D (15" base)
14" W x 17" H x 19" D (18" base)

34 1/2"



21"

- PE
- APC
- APFC
- DE
- FPEB
- GD
- IF
- MI
- RD
- RTK
- TWR
- VTK
- WR
- XS

Vanity Hamper Linen Cabinet 88 1/2" H

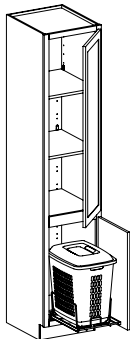
(price book pg. G16)

Specify R or L

VHLC182188 R or L

- Two adjustable, full-depth shelves
- Removable hamper
- Hamper has lid
- Hamper slides on full extension glides
- Hamper is mold and mildew resistant white plastic

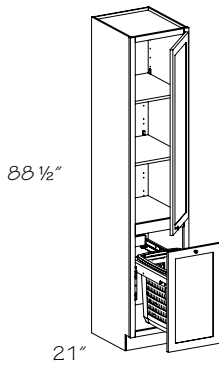
88 1/2"



21"

- PE
- APC
- APFC
- DE
- FPEB
- GD
- IF
- MI
- RD
- RTK
- TWR
- VTK
- WR
- XS

New



Vanity Hamper Linen Cabinet Top Mount 88 1/2"

(price book pg. G16)

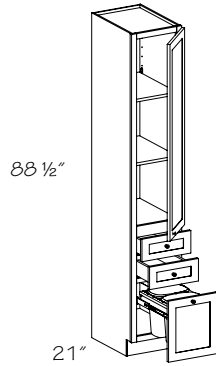
VHLCT182188 R or L

Color coding indicates new product, size or code

- Hamper is mold and mildew resistant white plastic
- Hamper is easily removable for emptying or cleaning
- Hamper has lid
- Frame slides on extra-extended full extension glides
- Two adjustable, full-depth shelves
- Shelves shipped separately

- PE
- APC
- APFC
- DE
- FPFB
- GD
- IF
- MI
- RD
- RTK
- TWR
- VTK
- WR
- XS

New



Vanity Linen Cabinet Top Mount Wastebasket-Double 88 1/2"

(price book pg. G18)

VLCWBT152188 R or L-2

Color coding indicates new product, size or code

- 10 quart capacity baskets
- Basket(s) rest in a natural maple plywood frame
- Basket(s) are easily removable for emptying or cleaning
- Frame slides on full extension glides
- Two standard drawers
- Two adjustable, full-depth shelves
- Shelves shipped separately

- PE
- APC
- APFC
- DE
- FPFB
- GD
- IF
- MI
- RD
- RTK
- TWR
- VTK
- WR
- XS

Vanity Linen Cabinet 88 1/2" H

(price book pg. G18)

Specify R or L

12" Deep

VLC151288 R or L

VLC181288 R or L

VLC211288 R or L

18" Deep

VLC151888 R or L

VLC181888 R or L

VLC211888 R or L

21" Deep

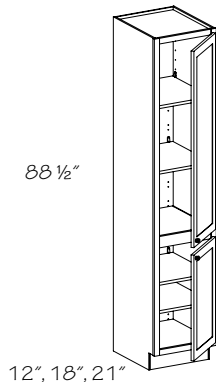
VLC152188 R or L

VLC182188 R or L

VLC212188 R or L

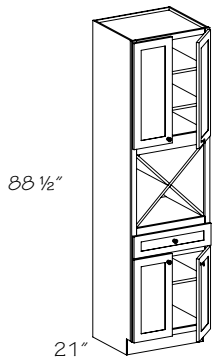
Color coding indicates new product, size or code

- Shelves shipped separately



- PE
- APC
- APFC
- DE
- FPFB
- GD
- ☆ IF
- MI
- RD
- RTK
- TWR
- VTK
- WR
- XS

New



Vanity Linen Towel Storage

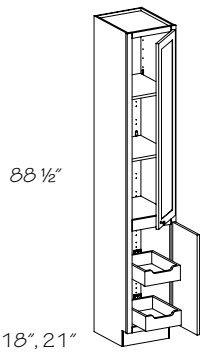
(price book pg. G18)

VTL242188

Color coding indicates new product, size or code

- One full-depth shelf in lower section
- Two full-depth shelves in upper section
- One standard drawer

- PE
- ❖ APC
- APFC
- DE
- FPFB
- GD
- IF
- ❖ MI
- RD
- RTK
- TWR
- VTK
- WR
- XS



Vanity Linen Cabinet Deluxe Roll-out Tray (2)

(price book pg. G18)

Specify R or L 18" Deep

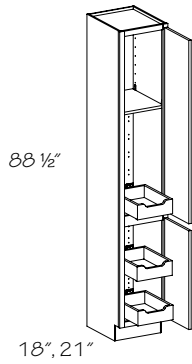
- VLC151888 R or L-2DXROT**
- VLC181888 R or L-2DXROT**
- VLC211888 R or L-2DXROT**

21" Deep

- VLC152188 R or L-2DXROT**
- VLC182188 R or L-2DXROT**
- VLC212188 R or L-2DXROT**

- Two adjustable shelves in upper section
- Shelves shipped separately

- PE
- APC
- APFC
- DE
- FPEB
- GD
- IF
- MI
- RD
- RTK
- TWR
- VTK
- WR
- XS



Vanity Linen Cabinet Deluxe Roll-out Tray (3)

(price book pg. G20)

Specify R or L 18" Deep

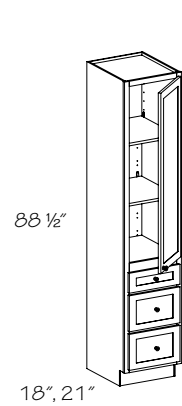
- VLC151888 R or L-3DXROT**
- VLC181888 R or L-3DXROT**
- VLC211888 R or L-3DXROT**

21" Deep

- VLC152188 R or L-3DXROT**
- VLC182188 R or L-3DXROT**
- VLC212188 R or L-3DXROT**

- One adjustable full-depth shelf in upper section
- Shelves shipped separately

- PE
- APC
- APFC
- DE
- FPEB
- GD
- IF
- MI
- RD
- RTK
- TWR
- VTK
- WR
- XS



Vanity Linen Cabinet Three Drawer

(price book pg. G20)

18" Deep

- VLC151888 R or L-3**
- VLC181888 R or L-3**

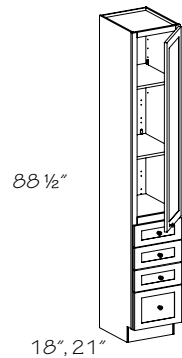
21" Deep

- VLC152188 R or L-3**
- VLC182188 R or L-3**

- Two adjustable shelves in upper section

- PE
- APC
- APFC
- DE
- FPEB
- GD
- IF
- MI
- RD
- RTK
- TWR
- VTK
- WR
- XS

New



Vanity Linen Cabinet Four Drawer

(price book pg. G20)

- VLC151888 R or L-4**
- VLC181888 R or L-4**
- VLC152188 R or L-4**
- VLC182188 R or L-4**

Color coding indicates new product, size or code

- Three standard drawers
- Includes two adjustable shelves in upper section
- One deep drawer

- PE
- APC
- APFC
- DE
- FPEB
- GD
- IF
- MI
- RD
- RTK
- TWR
- VTK
- WR
- XS

Vanity Linen Short Two Drawer

(price book pg. G20)

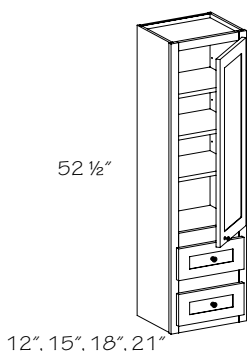
VLC151252 R or L-2

VLC151552 R or L-2

VLC151852 R or L-2

VLC152152 R or L-2

- Three adjustable shelves in upper section(s)
- ☆ Integrated Decorative End (DE) **not** available on mitered door styles with stiles and rails 2 3/8" or narrower



- PE
- APC
- APFC
- ☆ DE
- FPEB
- GD
- IF
- MI
- RD
- RTK
- TWR
- VTK
- WR
- XS

New

Vanity Linen Short Three Drawer

(price book pg. G22)

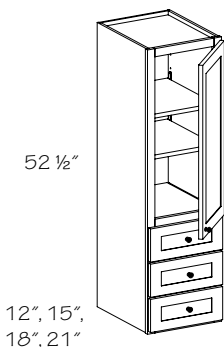
VLC151252 R or L-3

VLC151552 R or L-3

VLC151852 R or L-3

VLC152152 R or L-3

- ☆ Integrated Decorative End (DE) **not** available on mitered door styles with stiles and rails 2 3/8" or narrower



Color coding indicates new product, size or code

- PE
- APC
- APFC
- ☆ DE
- FPEB
- GD
- IF
- MI
- RD
- RTK
- TWR
- VTK
- WR
- XS

Vanity Vertical Lift Door Wall Cabinet

(price book pg. G22)

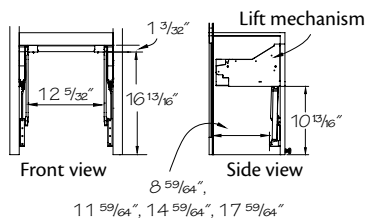
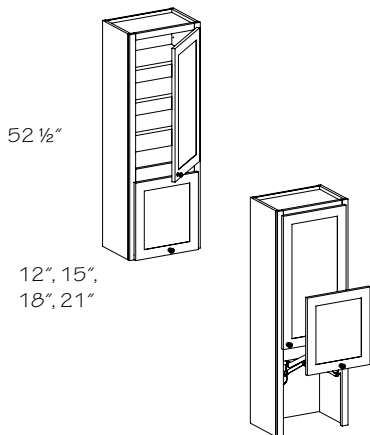
VV181252 R or L

VV181552 R or L

VV181852 R or L

VV182152 R or L

- Three adjustable shelves in upper section(s)
- Clearance from countertop to bottom of door is 20 1/32"
- Bottom door is always square
- Shelves shipped separately
- Void All Door and Drawer Front option (VDA) is **not** available
- ☆ Glass doors available for top doors only



- PE
- APC
- APFC
- DE
- FPEB
- ☆ GD
- IF
- MI
- RD
- RTK
- TWR
- VTK
- WR
- XS

Vanity Linen Cabinet 48" H

(price book pg. G22)

Specify R or L

12" Deep

VLC151248 R or L

VLC181248 R or L

15" Deep

VLC151548 R or L

VLC181548 R or L

18" Deep

VLC151848 R or L

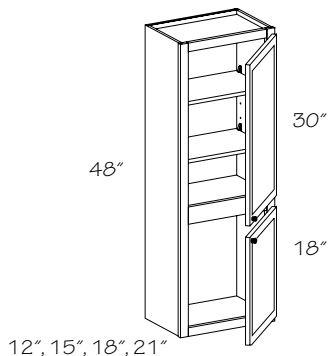
VLC181848 R or L

21" Deep

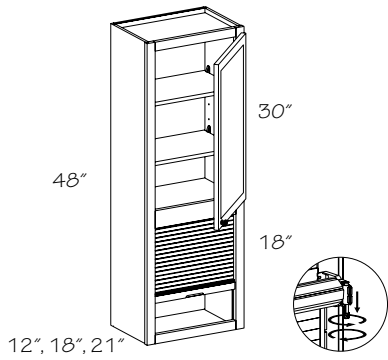
VLC152148 R or L

VLC182148 R or L

- Two adjustable shelves in upper section
- Bottom rail and floor
- Bottom door is always square



- PE
- APC
- APFC
- DE
- FPEB
- GD
- IF
- MI
- RD
- RTK
- TWR
- VTK
- WR
- XS



Vanity Linen Tambour

(price book pg. G22)

Specify R or L
12" Deep

VLT151248 R or L

VLT181248 R or L

18" Deep

VLT151848 R or L

VLT181848 R or L

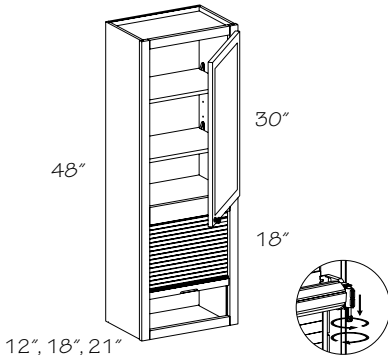
21" Deep

VLT152148 R or L

VLT182148 R or L

- Tambour opens to allow 13 1/2" access height
- Two adjustable shelves in upper section
- Tambour tension controlled with thumb screw adjustment
- Bottom rail
- No floor
- **Not** available in Morristown; Melrose and Brockton are plain sawn wood

●	PE
●	APC
●	APFC
●	DE
●	FPEB
●	GD
●	IF
●	MI
●	RD
●	RTK
●	TWR
●	VTK
●	WR
●	XS



Vanity Linen Tambour Mission

(price book pg. G22)

Specify R or L 12" Deep

VLT151248 R or L•M

VLT181248 R or L•M

18" Deep

VLT151848 R or L•M

VLT181848 R or L•M

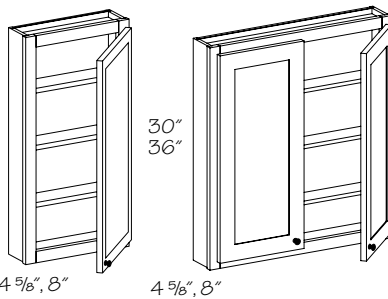
21" Deep

VLT152148 R or L•M

VLT182148 R or L•M

- Tambour opens to allow 13 1/2" access height
- Two adjustable shelves in upper section
- Bottom rail
- No floor
- Tambour tension controlled with thumb screw adjustment
- Pull and tambour are quartersawn oak
- Available in quartersawn oak door styles only

◆	PE
●	APC
●	APFC
●	DE
●	FPEB
●	GD
●	IF
●	MI
●	RD
●	RTK
●	TWR
●	VTK
●	WR
●	XS



Vanity Wall Cabinet

(price book pg. G24)

4 5/8" deep

VW120430 R or L

VW150430 R or L

VW240430

VW270430

VW120436 R or L

VW150436 R or L

VW240436

VW270436

8" deep

VW120830 R or L

VW150830 R or L

VW240830

VW270830

VW120836 R or L

VW150836 R or L

VW240836

VW270836

- Three adjustable 1/2" thick shelves
- Contrasting Back Options (CBEB, CPLB, CVGR) **not** available

●	PE
●	APC
●	APFC
●	DE
●	FPEB
●	GD
●	IF
●	MI
●	RD
●	RTK
●	TWR
●	VTK
●	WR
●	XS

Color coding indicates new product, size or code



- PE
- APC
- APFC
- DE
- FPBE
- GD
- IF
- ◇ MI
- RD
- RTK
- TWR
- VTK
- WR
- XS

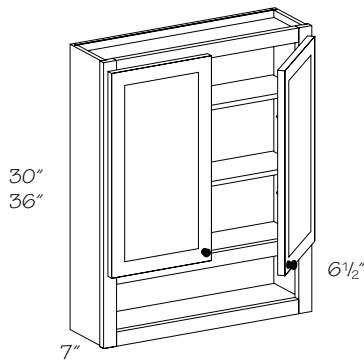
Vanity Wall Boutique

(price book pg. G34)

VWB2430

VWB2436

- Two adjustable shelves
- Replacement shelf available; specify WSVWB24



- PE
- APC
- APFC
- DE
- FPBE
- GD
- IF
- MI
- RD
- RTK
- TWR
- VTK
- WR
- XS

Vanity Wall Boutique w/Towel Bar

(price book pg. G24)

VWB2436 -C

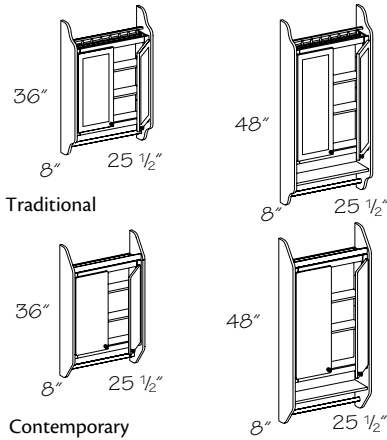
VWB2448 -C

✦ VWB2436 -T

✦ VWB2448 -T

- ✦ Laminates are painted hardwood

- 3/4" solid wood or laminate end panels
- Two adjustable 1/2" thick shelves
- All wall boutiques have butt doors
- **Not** available in Morristown; Melrose and Brockton are plain sawn wood
- Contrasting Back Options (CBEB, CPLB, CVGR) **not** available



- PE
- APC
- APFC
- DE
- FPBE
- GD
- IF
- MI
- RD
- RTK
- TWR
- VTK
- WR
- XS

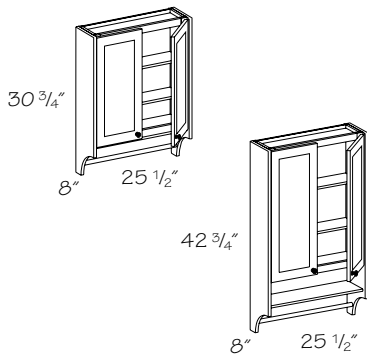
Vanity Wall Boutique Mission w/Towel Bar

(price book pg. G24)

VWB2436 -M

VWB2448 -M

- 3/4" quartersawn solid wood end panels
- Two adjustable 1/2" thick shelves
- All wall boutiques have butt doors
- Available in quartersawn oak door styles only
- Contrasting Back Options (CBEB, CPLB, CVGR) **not** available



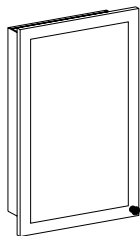
Vanity Wall-Recessed Mount

(price book pg. G26)

VWR1727-18

VWR1727-24

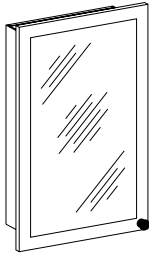
- Designed for recess installation
- Two adjustable 1/2" thick shelves
- Reversible (manufactured hinge left)
- If ordered in an arched door style, it will be supplied square
- Door Sizes:
 - 1/2" Overlay = 17" 1/2 x 28"
 - Full Overlay = 17 5/8" x 29 5/8"
- Finger Pull Rout (FPR) is **not** available
- Contrasting Back Options (CBEB, CPLB, CVGR) **not** available



Rough-in Dimensions

Cabinet	Width	Height	Depth
VWR1727-18	14 1/4"	18"	3 7/8"
VWR1727-24	14 1/4"	24"	3 7/8"

- PE
- APC
- APFC
- DE
- FPBE
- GD
- IF
- MI
- RD
- RTK
- TWR
- VTK
- WR
- XS



Rough-in Dimensions

Cabinet	Width	Height	Depth
MC1727-18	14 1/4"	18"	3 3/8"
MC1727-24	14 1/4"	24"	3 3/8"

Mirror Cabinet—Recessed Mount

(price book pg. G26)

MC1727-18

MC1727-24

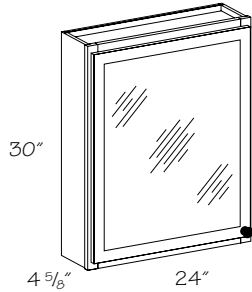
- Designed for recess installation
- Door Size is 17" x 27 1/2" for all overlays
- Two adjustable 1/2" thick shelves
- Reversible (manufactured hinge left)
- If ordered in an arched door style, it will be supplied square
- This cabinet door includes a representative profile that may **not** match the chosen door style exactly, but will blend with most
- Finger Pull Rout (FPR) is **not** available
- Contrasting Back Options (CBEB, CPLB, CVGR) **not** available

- PE
- APC
- APFC
- DE
- FPEB
- GD
- IF
- MI
- RD
- RTK
- TWR
- VTK
- WR
- XS

Mirror Cabinet—Surface Mount

(price book pg. G26)

MC2430



- Designed for surface mount installation
- Three adjustable 1/2" thick shelves
- Reversible (manufactured hinge left)
- If ordered in an arched door style, it will be supplied square
- Face frame has profiled outer edge
- Finger Pull Rout (FPR) is **not** available
- Contrasting Back Options (CBEB, CPLB, CVGR) **not** available

- PE
- APC
- APFC
- DE
- FPEB
- GD
- IF
- MI
- RD
- RTK
- TWR
- VTK
- WR
- XS

Vanity Mirror Angle Cabinet

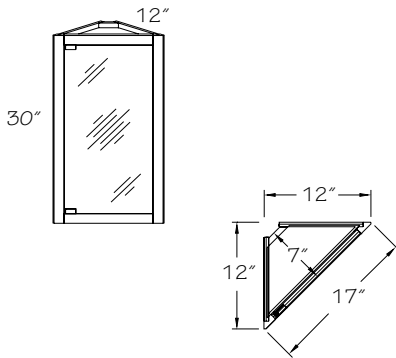
(price book pg. G26)

VMA1230 -PB

VMA1230 -PC

VMA1230 -SN

VMA1230 -VB



- Two adjustable 1/2" thick shelves
- Reversible (manufactured hinge left)
- Hinges and touch latch available in polished chrome (PC), polished brass (PB), satin nickel (SN) or Venetian bronze (VB)
- Laminates are painted hardwood
- Contrasting Back Options (CBEB, CPLB, CVGR) **not** available

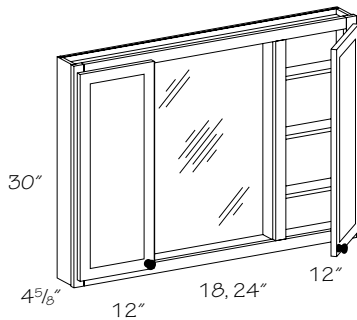
- PE
- APC
- APFC
- DE
- FPEB
- GD
- IF
- MI
- RD
- RTK
- TWR
- VTK
- WR
- XS

Vanity Mirror Cabinet

(price book pg. G26)

VMC4230

VMC4830



- Recessed center mirror
- Six adjustable 1/2" thick shelves
- Designed for surface mount installation
- Laminates are painted hardwood
- Contrasting Back Options (CBEB, CPLB, CVGR) **not** available

- PE
- APC
- APFC
- DE
- FPEB
- GD
- IF
- MI
- RD
- RTK
- TWR
- VTK
- WR
- XS

Vanity Mirror Cabinet Storage

(price book pg. G26)

VMCS4230 •ACM

VMCS4830 •ACM

VMCS4230 •CCM

VMCS4830 •CCM

VMCS4230 •LCM

VMCS4830 •LCM

VMCS4230 •LCVM

VMCS4830 •LCVM

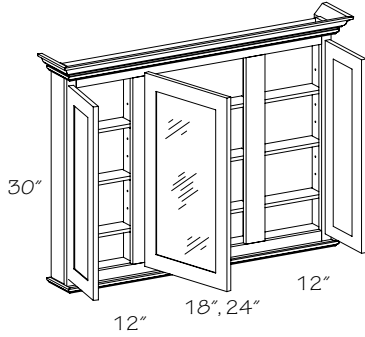
* **VMCS4230 •LFDM**

* **VMCS4830 •LFDM**

VMCS4230 •T

VMCS4830 •T

* Available in Cherry, Laminate and Maple door styles only



- Solid wood frame, top and bottom plate
- Nine adjustable 1/2" shelves
- Trimmed with choice of Angle Crown Molding (ACM), Classic Crown Molding (CCM), Crown Molding (T), Large Cove Molding (LCVM) or Large Federal Molding (LFDM)
- Molding is plain sawn wood in quartersawn oak door styles
- Contrasting Back Options (CBEB, CPLB, CVGR) *not* available

●	PE
●	APC
●	APFC
	DE
●	FPEB
●	GD
	IF
●	MI
	RD
	RTK
	TWR
	VTK
	WR
	XS

Vanity Mirror Cabinet Open

(price book pg. G28)

VMCO4230 •ACM

VMCO4830 •ACM

VMCO4230 •CCM

VMCO4830 •CCM

VMCO4230 •LCM

VMCO4830 •LCM

VMCO4230 •LCVM

VMCO4830 •LCVM

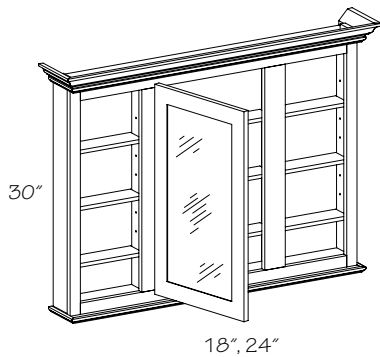
* **VMCO4230 •LFDM**

* **VMCO4830 •LFDM**

VMCO4230 •T

VMCO4830 •T

* Available in Cherry, Laminate and Maple door styles only



- Solid wood frame, top and bottom plate
- Nine adjustable 1/2" shelves
- Trimmed with choice of Angle Crown Molding (ACM), Classic Crown Molding (CCM), Crown Molding (T), Large Cove Molding (LCVM) or Large Federal Molding (LFDM)
- Molding is plain sawn wood in quartersawn oak door styles
- Contrasting Back Options (CBEB, CPLB, CVGR) *not* available

●	PE
●	APC
●	APFC
	DE
●	FPEB
	GD
	IF
❖	MI
	RD
	RTK
	TWR
	VTK
	WR
	XS

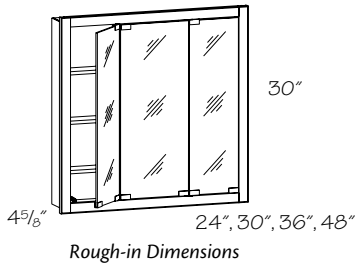
Tri View Mirror

(price book pg. G28)

- TV2430 •PB
- TV3030 •PB
- TV3630 •PB
- TV4830 •PB
- TV2430 •PC
- TV3030 •PC
- TV3630 •PC
- TV4830 •PC
- TV2430 •SN
- TV3030 •SN
- TV3630 •SN
- TV4830 •SN
- TV2430 •VB
- TV3030 •VB
- TV3630 •VB
- TV4830 •VB

- For surface mount or recess installation
- Three adjustable 1/2" thick shelves
- Hinges and touch latch available in polished chrome (PC), polished brass (PB), satin nickel (SN) or Venetian bronze (VB)
- Laminates are painted hardwood
- **Not** available in Morristown; Melrose and Brockton are plain sawn wood

- PE
- APC
- APFC
- DE
- FPEB
- GD
- IF
- MI
- RD
- RTK
- TWR
- VTK
- WR
- XS



Cabinet	Width	Height	Depth
TV2430	23 1/16"	28 3/4"	3 7/8"
TV3030	29 1/16"	28 3/4"	3 7/8"
TV3630	35 1/16"	28 3/4"	3 7/8"
TV4830	47 1/16"	28 3/4"	3 7/8"

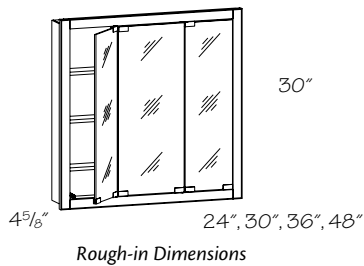
Tri View Mirror Mission

(price book pg. G28)

- TV2430 •PB•M
- TV3030 •PB•M
- TV3630 •PB•M
- TV4830 •PB•M
- TV2430 •PC•M
- TV3030 •PC•M
- TV3630 •PC•M
- TV4830 •PC•M
- TV2430 •SN•M
- TV3030 •SN•M
- TV3630 •SN•M
- TV4830 •SN•M
- TV2430 •VB•M
- TV3030 •VB•M
- TV3630 •VB•M
- TV4830 •VB•M

- Hinges and touch latch available in polished chrome (PC), polished brass (PB), satin nickel (SN) or Venetian bronze (VB)
- Three adjustable shelves
- For surface mount or recess installation
- Available in quartersawn oak door styles only

- PE
- APC
- APFC
- DE
- FPEB
- GD
- IF
- MI
- RD
- RTK
- TWR
- VTK
- WR
- XS



Cabinet	Width	Height	Depth
TV2430	23 1/16"	28 3/4"	3 7/8"
TV3030	29 1/16"	28 3/4"	3 7/8"
TV3630	35 1/16"	28 3/4"	3 7/8"
TV4830	47 1/16"	28 3/4"	3 7/8"

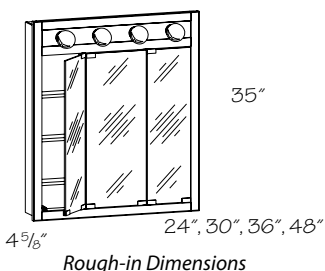
Lighted Tri View Mirror

(price book pg. G30)

- LTV2435 •PB
- LTV3035 •PB
- LTV3635 •PB
- LTV4835 •PB
- LTV2435 •PC
- LTV3035 •PC
- LTV3635 •PC
- LTV4835 •PC
- LTV2435 •SN
- LTV3035 •SN
- LTV3635 •SN
- LTV4835 •SN
- LTV2435 •VB
- LTV3035 •VB
- LTV3635 •VB
- LTV4835 •VB

- For surface mount or recess installation
- Three adjustable 1/2" thick shelves
- Light bar, hinges and touch latch available in polished chrome (PC), polished brass (PB), satin nickel (SN) or venetian Bronze (VB)
- Light bulbs **not** included
- Laminates are painted hardwood
- **Not** available in Morristown; Melrose and Brockton are plain sawn wood

- PE
- APC
- APFC
- DE
- FPFB
- GD
- IF
- MI
- RD
- RTK
- TWR
- VTK
- WR
- XS



Rough-in Dimensions

Cabinet	Width	Height	Depth	# lights
LTV2435	23 1/8"	33 3/4"	3 7/8"	3
LTV3035	29 1/8"	33 3/4"	3 7/8"	4
LTV3635	35 1/8"	33 3/4"	3 7/8"	5
LTV4835	47 1/8"	33 3/4"	3 7/8"	7

New

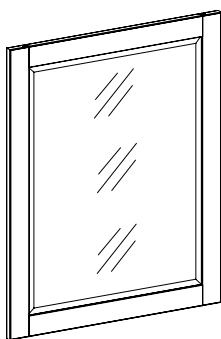
Flat Framed Beveled Mirror

(price book pg. G30)

- FM2130 •F
- FM2430 •F
- FM2136 •F
- FM2436 •F

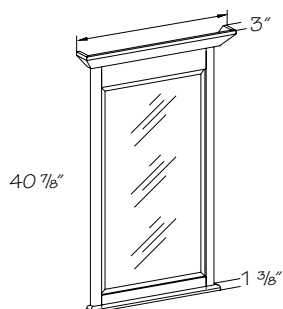
Color coding indicates new product, size or code

- Rustic door styles will be supplied in standard wood species



- PE
- APC
- APFC
- DE
- FPFB
- GD
- IF
- MI
- RD
- RTK
- TWR
- VTK
- WR
- XS

24 7/8", 27 7/8", 30 7/8", 33 7/8",
36 7/8", 39 7/8", 45 7/8", 51 7/8"



22", 25", 28", 31",
34", 37", 43", 49"

Framed Mirror-Angle Crown

(price book pg. G30)

- FM2136 •ACM
- FM2436 •ACM
- FM2736 •ACM
- FM3036 •ACM
- FM3336 •ACM
- FM3636 •ACM
- FM4236 •ACM
- FM4836 •ACM

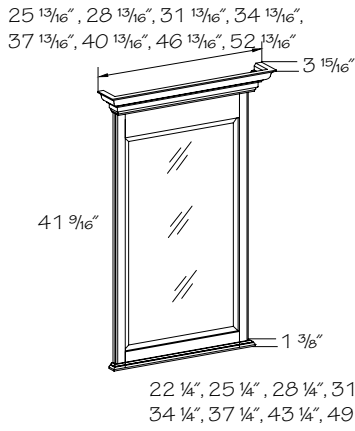
Color coding indicates new product, size or code

- Solid wood
- Decorative Angle Crown Molding (ACM8)
- Routed bottom plate
- Beveled mirror
- Quartersawn door styles will be supplied in plain sawn wood



Consider using a Replacement Door with a Mirage (MIR) glass insert for a wider range of sizes when selecting a mirror.

- PE
- APC
- APFC
- DE
- FPFB
- GD
- IF
- MI
- RD
- RTK
- TWR
- VTK
- WR
- XS



Framed Mirror-Classic

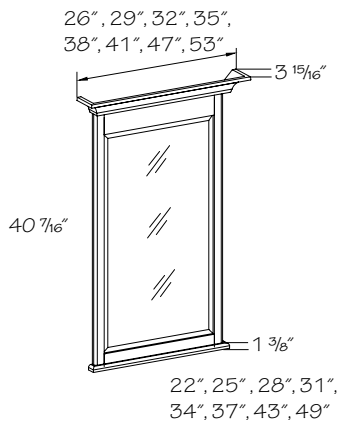
(price book pg. G30)

- FM2136 -CCM**
- FM2436 -CCM**
- FM2736 -CCM**
- FM3036 -CCM**
- FM3336 -CCM**
- FM3636 -CCM**
- FM4236 -CCM**
- FM4836 -CCM**

Color coding indicates new product, size or code

- Solid wood frame, top and bottom plate
- Decorative Classic Crown Molding (CCM8)
- Routed top and bottom plate
- Beveled mirror
- Quartersawn door styles will be supplied in plain sawn wood

PE
APC
APFC
DE
FPEB
GD
IF
MI
RD
RTK
TWR
VTK
WR
XS



Framed Mirror-Large Cove

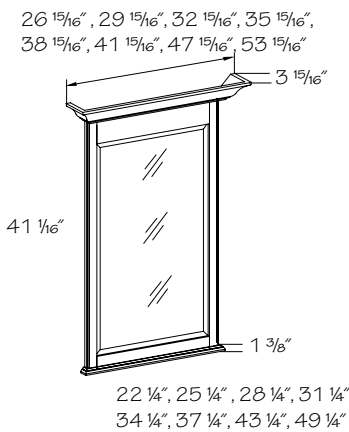
(price book pg. G30)

- FM2136 -LCVM**
- FM2436 -LCVM**
- FM2736 -LCVM**
- FM3036 -LCVM**
- FM3336 -LCVM**
- FM3636 -LCVM**
- FM4236 -LCVM**
- FM4836 -LCVM**

Color coding indicates new product, size or code

- Solid wood frame, top and bottom plate
- Decorative Large Cove Molding (LCVM8)
- Routed top and bottom plate
- Beveled mirror
- Quartersawn door styles will be supplied in plain sawn wood

PE
APC
APFC
DE
FPEB
GD
IF
MI
RD
RTK
TWR
VTK
WR
XS



Framed Mirror-Large Crown

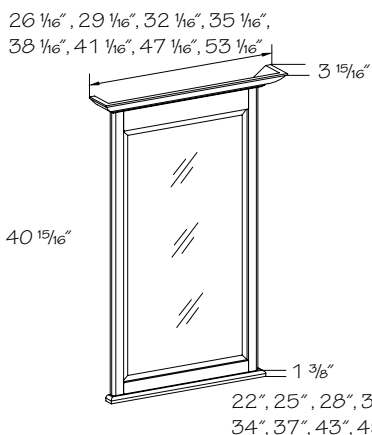
(price book pg. G32)

- FM2136 -LCM**
- FM2436 -LCM**
- FM2736 -LCM**
- FM3036 -LCM**
- FM3336 -LCM**
- FM3636 -LCM**
- FM4236 -LCM**
- FM4836 -LCM**

Color coding indicates new product, size or code

- Solid wood frame, top and bottom plate
- Decorative Large Crown Molding (LCM8)
- Routed top and bottom plate
- Beveled mirror
- Quartersawn door styles will be supplied in plain sawn wood

PE
APC
APFC
DE
FPEB
GD
IF
MI
RD
RTK
TWR
VTK
WR
XS



Framed Mirror-Large Federal

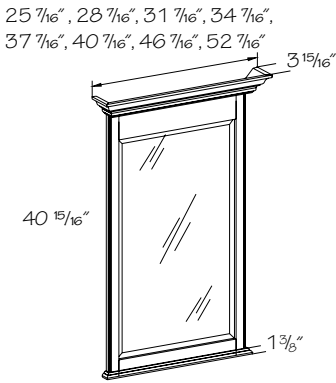
(price book pg. G32)

- FM2136 -LFDM**
- FM2436 -LFDM**
- FM2736 -LFDM**
- FM3036 -LFDM**
- FM3336 -LFDM**
- FM3636 -LFDM**
- FM4236 -LFDM**
- FM4836 -LFDM**

Color coding indicates new product, size or code

- Solid wood frame, top and bottom plate
- Decorative Large Federal Molding (LFDM8)
- Routed top and bottom plate
- Beveled mirror
- Available in Cherry, Laminate and Maple door styles only
- Laminates are painted hardwood

PE
APC
APFC
DE
FPEB
GD
IF
MI
RD
RTK
TWR
VTK
WR
XS



22 1/4", 25 1/4", 28 1/4", 31 1/4",
34 1/4", 37 1/4", 43 1/4", 49 1/4"

Framed Mirror-Traditional

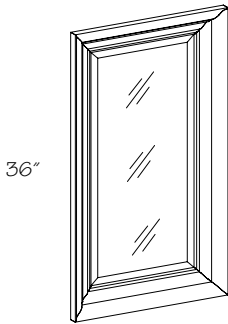
(price book pg. G32)

- FM2136 -T**
- FM2436 -T**
- FM2736 -T**
- FM3036 -T**
- FM3336 -T**
- FM3636 -T**
- FM4236 -T**
- FM4836 -T**

Color coding indicates new product, size or code

- Solid wood frame, top and bottom plate
- Decorative Crown Molding (CM8)
- Routed top and bottom plate
- Beveled mirror
- Quartersawn door styles will be supplied in plain sawn wood

PE
APC
APFC
DE
FPEB
GD
IF
MI
RD
RTK
TWR
VTK
WR
XS



21", 24", 27", 30", 33", 36"

Portrait Framed Mirror-Classic

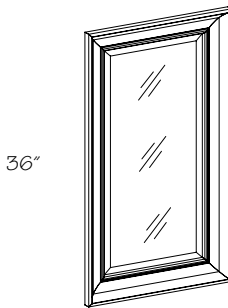
(price book pg. G32)

- PFM2136 -CCM**
- PFM2436 -CCM**
- PFM2736 -CCM**
- PFM3036 -CCM**
- PFM3336 -CCM**
- PFM3636 -CCM**
- PFM4236 -CCM**
- PFM4836 -CCM**

Color coding indicates new product, size or code

- Decorative Classic Crown Molding (CCM8)
- Beveled mirror
- Quartersawn door styles will be supplied in plain sawn wood

PE
APC
APFC
DE
FPEB
GD
IF
MI
RD
RTK
TWR
VTK
WR
XS



21", 24", 27", 30", 33", 36"

Portrait Framed Mirror-Cove

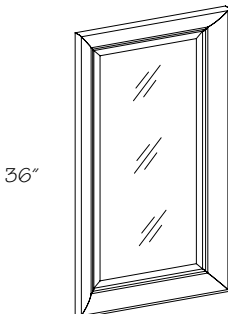
(price book pg. G32)

- PFM2136 -LCVM**
- PFM2436 -LCVM**
- PFM2736 -LCVM**
- PFM3036 -LCVM**
- PFM3336 -LCVM**
- PFM3636 -LCVM**
- PFM4236 -LCVM**
- PFM4836 -LCVM**

Color coding indicates new product, size or code

- Decorative Large Cove Molding (LCVM8)
- Beveled mirror
- Quartersawn door styles will be supplied in plain sawn wood

PE
APC
APFC
DE
FPEB
GD
IF
MI
RD
RTK
TWR
VTK
WR
XS



21", 24", 27", 30", 33", 36"

Portrait Framed Mirror-Federal

(price book pg. G34)

- PFM2136 -LFDM**
- PFM2436 -LFDM**
- PFM2736 -LFDM**
- PFM3036 -LFDM**
- PFM3336 -LFDM**
- PFM3636 -LFDM**
- PFM4236 -LFDM**
- PFM4836 -LFDM**

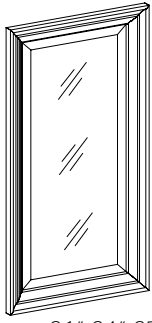
Color coding indicates new product, size or code

- Decorative Large Federal Molding (LFDM8)
- Beveled mirror
- Available in Cherry, Laminate and Maple door styles only
- Laminates are painted hardwood

PE
APC
APFC
DE
FPEB
GD
IF
MI
RD
RTK
TWR
VTK
WR
XS

Portrait Framed Mirror-Traditional

(price book pg. G34)



36"

21", 24", 27", 30", 33", 36"

- PFM2136 •CM**
- PFM2436 •CM**
- PFM2736 •CM**
- PFM3036 •CM**
- PFM3336 •CM**
- PFM3636 •CM**
- PFM4236 •CM**
- PFM4836 •CM**

Color coding indicates new product, size or code

- Decorative Crown Molding (CM8)
- Beveled mirror
- Quartersawn door styles will be supplied in plain sawn wood

PE
APC
APFC
DE
FPEB
GD
IF
MI
RD
RTK
TWR
VTK
WR
XS