

# Vanity Cabinet Accessories

## Construction Options and Modifications

Specifications subject to change without notice.

- PE --- Plywood Ends
- APC --- All Plywood Construction
- APFC --- All Plywood Furniture Construction
- FPEB --- Furniture Plywood Ends
- MI --- Matching Interior
- RD --- Reduced Depth
- VTK --- Void Toe Kick
- WR --- Wide Bottom Rail

<b>VCTP</b>	<b>12</b>	<b>12</b>
code	width	depth

### Tiered Storage Shelf

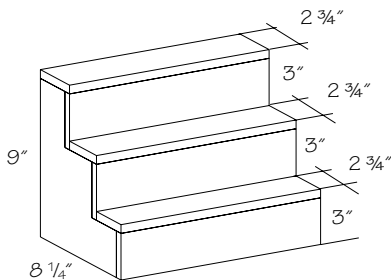
(price book pg. D113)

**TSS15**

**TSS18**

**TSS21**

- Solid wood
- Field installation only



- PE
- APC
- APFC
- FPEB
- MI
- RD
- VTK
- WR

Vanity Cabinets

**New**

### Vanity Drawer Divider

(price book pg. G36)

**VDDK12** 2 sections

**VDDK15** 3 sections

**VDDK18** 3 sections

**VDDK21** 4 sections

**VDDK24** 4 sections

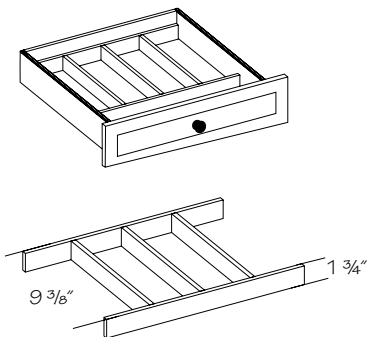
**VDDK27** 5 sections

**VDDK30** 5 sections

**VDDK33** 6 sections

**VDDK36** 7 sections

- 1/2" thick solid wood dividers 1 3/4" high



Color coding indicates new product, size or code

- PE
- APC
- APFC
- FPEB
- MI
- RD
- VTK
- WR

### Sink Base Door Storage Unit or Kit

(price book pg. E79)

*Installed*

**SBDSU30 R or L**

**SBDSU33 R or L**

**SBDSU36 R or L** also fits SB18

*Kit*

**SBDSUK30**

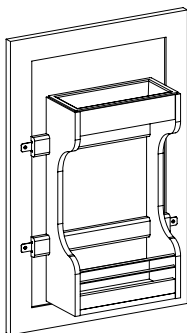
**SBDSUK33**

**SBDSUK36** also fits SB18

**SBDSUK39**

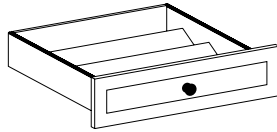
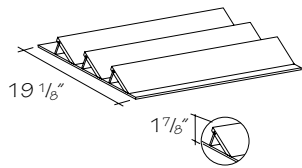
**SBDSUK42** also fits SB21

- Solid wood
- Two fixed shelves, 4" deep
- Kit includes all mounting hardware
- Rack is 5" deep
- Removable, dishwasher safe, almond plastic tray lines top shelf



- PE
- APC
- APFC
- FPEB
- MI
- RD
- VTK
- WR

New



**Vanity Drawer Storage Kit**

(price book pg. G36)

**VDRSK1218**

**VDRSK1518**

**VDRSK1221**

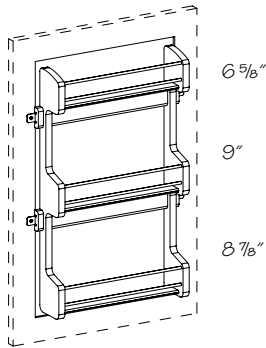
**VDRSK1521**

- 18" deep has two racks

Color coding indicates new product, size or code

PE
APC
APFC
FPEB
MI
RD
VTK
WR

New



**Vanity Storage Rack Kit**

(price book pg. G36)

**VSRK15**

**VSRK18**

**VSRK21**

Color coding indicates new product, size or code

PE
APC
APFC
FPEB
MI
RD
VTK
WR

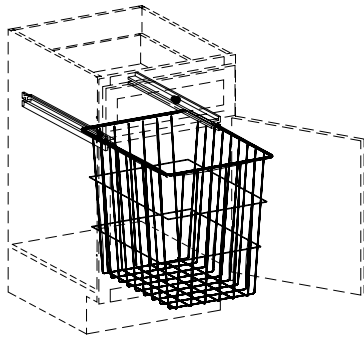
**Hamper Kit**

(price book pg. G36)

**HK15** 11" W x 17" H x 19" D

**HK18** 14" W x 17" H x 19" D

- One hamper, two runners
- Field installation only



PE
APC
APFC
FPEB
MI
RD
VTK
WR

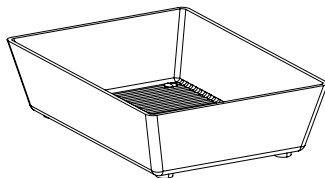
**Vanity Filler Pull-out Replacement Trays**

(price book pg. G36)

**VFPT3**

**VFPT6**

- Includes two clear plastic trays



PE
APC
APFC
FPEB
MI
RD
VTK
WR

### Vanity Top Plates—Angle Crown

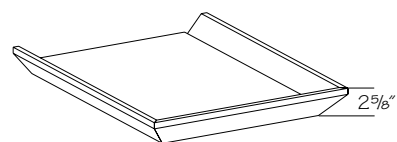
(price book pg. G36)

7 5/16" deep

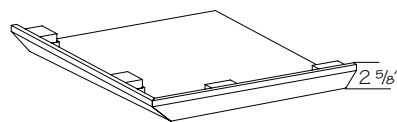
Fits cabinet:

14 11/16" deep

Fits cabinet:



**VCTPB.ACM**



**VCTPL.ACM**

	Nominal Width	Actual Width
VCTP12 R	12"	13 1/16"
VCTP12 B	12"	15 7/8"
VCTP15 R	15"	16 1/16"
VCTP15 B	15"	18 7/8"
VCTP18 R	18"	19 1/16"
VCTP18 B	18"	21 7/8"
VCTP21 R	21"	22 1/16"
VCTP21 B	21"	24 7/8"
VCTP24 R	24"	25 1/16"
VCTP24 B	24"	27 7/8"
VCTP27 R	27"	28 1/16"
VCTP27 B	27"	30 7/8"
VCTP42 R	42"	43 1/16"
VCTP42 B	42"	45 7/8"
VCTP48 R	48"	49 1/16"
VCTP48 B	48"	51 7/8"

Measurements include molding

<b>VCTP1205 R or L-ACM</b>	VW1204
<b>VCTP1205 B-ACM</b>	VW1204
<b>VCTP1505 R or L-ACM</b>	VW1504
<b>VCTP1505 B-ACM</b>	VW1504
<b>VCTP2405 R or L-ACM</b>	VW2404
<b>VCTP2405 B-ACM</b>	VW2404
<b>VCTP2705 R or L-ACM</b>	VW2704
<b>VCTP2705 B-ACM</b>	VW2704
<b>VCTP4205 R or L-ACM</b>	VMC42
<b>VCTP4205 B-ACM</b>	VMC42
<b>VCTP4805 R or L-ACM</b>	VMC48
<b>VCTP4805 B-ACM</b>	VMC48

9 11/16" deep

<b>VCTP2407 R or L-ACM</b>	VW2430
<b>VCTP2407 B-ACM</b>	VW2430

10 11/16" deep

<b>VCTP1208 R or L-ACM</b>	VW1208
<b>VCTP1208 B-ACM</b>	VW1208
<b>VCTP1508 R or L-ACM</b>	VW1508
<b>VCTP1508 B-ACM</b>	VW1508
<b>VCTP2408 R or L-ACM</b>	VW2408
<b>VCTP2408 B-ACM</b>	VW2408
<b>VCTP2708 R or L-ACM</b>	VW2708
<b>VCTP2708 B-ACM</b>	VW2708

<b>VCTP1512 R or L-ACM</b>	VLC1512 or VLT1512
<b>VCTP1512 B-ACM</b>	VLC1512 or VLT1512
<b>VCTP1812 R or L-ACM</b>	VLC1812 or VLT1812
<b>VCTP1812 B-ACM</b>	VLC1812 or VLT1812
<b>VCTP2112 R or L-ACM</b>	VLC2112
<b>VCTP2112 B-ACM</b>	VLC2112

17 11/16" deep

<b>VCTP1515 R or L-ACM</b>	VLC1515
<b>VCTP1515 B-ACM</b>	VLC1515
<b>VCTP1815 R or L-ACM</b>	VLC1815
<b>VCTP1815 B-ACM</b>	VLC1815

20 11/16" deep

<b>VCTP1518 R or L-ACM</b>	VLC1518 or VLT1518
<b>VCTP1518 B-ACM</b>	VLC1518 or VLT1518
<b>VCTP1818 R or L-ACM</b>	VLC1818 or VLT1818
<b>VCTP1818 B-ACM</b>	VLC1818 or VLT1818

23 11/16" deep

<b>VCTP1521 R or L-ACM</b>	VLC1521 or VLT1521
<b>VCTP1521 B-ACM</b>	VLC1521 or VLT1521
<b>VCTP1821 R or L-ACM</b>	VLC1821 or VLT1821
<b>VCTP1821 B-ACM</b>	VLC1821 or VLT1821
<b>VCTP2121 R or L-ACM</b>	VLC2121
<b>VCTP2121 B-ACM</b>	VLC2121
<b>VCTP2421 R or L-ACM</b>	VTL2421
<b>VCTP2421 B-ACM</b>	VTL2421

Color coding indicates new product, size or code

- 3/4" plywood panel trimmed with Angle Crown Molding (ACM8)
- Decorative top plate for vanity linen and wall cabinets
- Quartersawn door styles will be supplied in plain sawn wood

PE
APC
APFC
FPEB
MI
RD
VTK
WR

### Vanity Top Plates—Classic

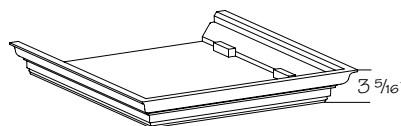
(price book pg. G36)

7 13/16" deep

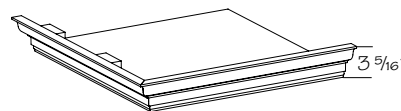
Fits cabinet:

15 3/16" deep

Fits cabinet:



**VCTPB.CCM**



**VCTPL.CCM**

	Nominal Width	Actual Width
VCTP12 R	12"	14 7/16"
VCTP12 B	12"	16 13/16"
VCTP15 R	15"	17 7/16"
VCTP15 B	15"	19 13/16"
VCTP18 R	18"	20 7/16"
VCTP18 B	18"	22 13/16"
VCTP21 R	21"	23 7/16"
VCTP21 B	21"	25 13/16"
VCTP24 R	24"	26 7/16"
VCTP24 B	24"	28 13/16"
VCTP27 R	27"	29 7/16"
VCTP27 B	27"	31 13/16"
VCTP42 R	42"	44 7/16"
VCTP42 B	42"	46 13/16"
VCTP48 R	48"	50 7/16"
VCTP48 B	48"	52 13/16"

Measurements include molding

<b>VCTP1205 R or L-CCM</b>	VW1204
<b>VCTP1205 B-CCM</b>	VW1204
<b>VCTP1505 R or L-CCM</b>	VW1504
<b>VCTP1505 B-CCM</b>	VW1504
<b>VCTP2405 R or L-CCM</b>	VW2404
<b>VCTP2405 B-CCM</b>	VW2404
<b>VCTP2705 R or L-CCM</b>	VW2704
<b>VCTP2705 B-CCM</b>	VW2704
<b>VCTP4205 R or L-CCM</b>	VMC42
<b>VCTP4205 B-CCM</b>	VMC42
<b>VCTP4805 R or L-CCM</b>	VMC48
<b>VCTP4805 B-CCM</b>	VMC48

10 3/16" deep

<b>VCTP2407 R or L-CCM</b>	VW2430
<b>VCTP2407 B-CCM</b>	VW2430

11 3/16" deep

<b>VCTP1208 R or L-CCM</b>	VW1208
<b>VCTP1208 B-CCM</b>	VW1208
<b>VCTP1508 R or L-CCM</b>	VW1508
<b>VCTP1508 B-CCM</b>	VW1508
<b>VCTP2408 R or L-CCM</b>	VW2408
<b>VCTP2408 B-CCM</b>	VW2408
<b>VCTP2708 R or L-CCM</b>	VW2708
<b>VCTP2708 B-CCM</b>	VW2708

<b>VCTP1512 R or L-CCM</b>	VLC1512 or VLT1512
<b>VCTP1512 B-CCM</b>	VLC1512 or VLT1512
<b>VCTP1812 R or L-CCM</b>	VLC1812 or VLT1812
<b>VCTP1812 B-CCM</b>	VLC1812 or VLT1812
<b>VCTP2112 R or L-CCM</b>	VLC2112
<b>VCTP2112 B-CCM</b>	VLC2112

18 3/16" deep

<b>VCTP1515 R or L-CCM</b>	VLC1515
<b>VCTP1515 B-CCM</b>	VLC1515
<b>VCTP1815 R or L-CCM</b>	VLC1815
<b>VCTP1815 B-CCM</b>	VLC1815

21 3/16" deep

<b>VCTP1518 R or L-CCM</b>	VLC1518 or VLT1518
<b>VCTP1518 B-CCM</b>	VLC1518 or VLT1518
<b>VCTP1818 R or L-CCM</b>	VLC1818 or VLT1818
<b>VCTP1818 B-CCM</b>	VLC1818 or VLT1818

24 3/16" deep

<b>VCTP1521 R or L-CCM</b>	VLC1521 or VLT1521
<b>VCTP1521 B-CCM</b>	VLC1521 or VLT1521
<b>VCTP1821 R or L-CCM</b>	VLC1821 or VLT1821
<b>VCTP1821 B-CCM</b>	VLC1821 or VLT1821
<b>VCTP2121 R or L-CCM</b>	VLC2121
<b>VCTP2121 B-CCM</b>	VLC2121
<b>VCTP2421 R or L-CCM</b>	VTL2421
<b>VCTP2421 B-CCM</b>	VTL2421

Color coding indicates new product, size or code

- Decorative top plate for vanity linen and wall cabinets
- 3/4" plywood or laminate panel trimmed with Classic Crown Molding (CCM8)
- Quartersawn door styles will be supplied in plain sawn wood

PE
APC
APFC
FPEB
MI
RD
VTK
WR

### Vanity Top Plates—Cove

(price book pg. G37)

7 7/8" deep Fits cabinet:

- VCTP1205 R or L-LCVM** VW1204
- VCTP1205 B-LCVM** VW1204
- VCTP1505 R or L-LCVM** VW1504
- VCTP1505 B-LCVM** VW1504
- VCTP2405 R or L-LCVM** VW2404
- VCTP2405 B-LCVM** VW2404
- VCTP2705 R or L-LCVM** VW2704
- VCTP2705 B-LCVM** VW2704
- VCTP4205 R or L-LCVM** VMC42
- VCTP4205 B-LCVM** VMC42
- VCTP4805 R or L-LCVM** VMC48
- VCTP4805 B-LCVM** VMC48

10 1/4" deep

- VCTP2407 R or L-LCVM** VWB2430
- VCTP2407 B-LCVM** VWB2430

11 1/4" deep

- VCTP1208 R or L-LCVM** VW1208
- VCTP1208 B-LCVM** VW1208
- VCTP1508 R or L-LCVM** VW1508
- VCTP1508 B-LCVM** VW1508
- VCTP2408 R or L-LCVM** VW2408
- VCTP2408 B-LCVM** VW2408
- VCTP2708 R or L-LCVM** VW2708
- VCTP2708 B-LCVM** VW2708

15 1/4" deep

- VCTP1512 R or L-LCVM** VLC1512 OR VLT1512
  - VCTP1512 B-LCVM** VLC1512 or VLT1512
  - VCTP1812 R or L-LCVM** VLC1812 or VLT1812
  - VCTP1812 B-LCVM** VLC1812 or VLT1812
  - VCTP2112 R or L-LCVM** VLC2112
  - VCTP2112 B-LCVM** VLC2112
- 18 1/4" deep
- VCTP1515 R or L-LCVM** VLC1515
  - VCTP1515 B-LCVM** VLC1515
  - VCTP1815 R or L-LCVM** VLC1815
  - VCTP1815 B-LCVM** VLC1815

21 1/4" deep

- VCTP1518 R or L-LCVM** VLC1518 or VLT1518
- VCTP1518 B-LCVM** VLC1518 or VLT1518
- VCTP1818 R or L-LCVM** VLC1818 or VLT1818
- VCTP1818 B-LCVM** VLC1818 or VLT1818

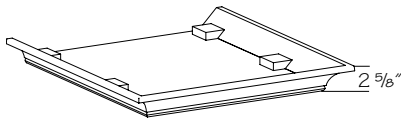
24 1/4" deep

- VCTP1521 R or L-LCVM** VLC1521 or VLT1521
- VCTP1521 B-LCVM** VLC1521 or VLT1521
- VCTP1821 R or L-LCVM** VLC1821 or VLT1821
- VCTP1821 B-LCVM** VLC1821 or VLT1821
- VCTP2121 R or L-LCVM** VLC2121
- VCTP2121 B-LCVM** VLC2121
- VCTP2421 R or L-LCVM** VTL2421
- VCTP2421 B-LCVM** VTL2421

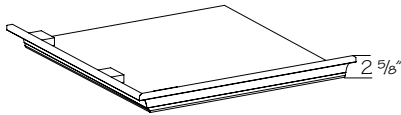
Color coding indicates new product, size or code

- Decorative top plate for vanity linen and wall cabinets
- 3/4" plywood or laminate panel trimmed with Large Cove Molding (LCVM8)
- Quartersawn door styles will be supplied in plain sawn wood

PE
APC
APFC
FPEB
MI
RD
VTK
WR



**VCTPB.LCVM**



**VCTPL.LCVM**

	Nominal Width	Actual Width
VCTP12 R	12"	14 3/16"
VCTP12 B	12"	17
VCTP15 R	15"	17 3/16"
VCTP15 B	15"	20"
VCTP18 R	18"	20 7/16"
VCTP18 B	18"	23"
VCTP21 R	21"	23 3/16"
VCTP21 B	21"	26"
VCTP24 R	24"	26 3/16"
VCTP24 B	24"	29"
VCTP27 R	27"	29 3/16"
VCTP27 B	27"	32"
VCTP42 R	42"	44 3/16"
VCTP42 B	42"	47"
VCTP48 R	48"	50 3/16"
VCTP48 B	48"	53"

Measurements include molding

PE
APC
APFC
FPEB
MI
RD
VTK
WR

### Vanity Top Plates–Crown

(price book pg. G37)

7 5/16" deep

Fits cabinet:

<b>VCTP1205 R or L-CM</b>	VW1204
<b>VCTP1205 B-CM</b>	VW1204
<b>VCTP1505 R or L-CM</b>	VW1504
<b>VCTP1505 B-CM</b>	VW1504
<b>VCTP2405 R or L-CM</b>	VW2404
<b>VCTP2405 B-CM</b>	VW2404
<b>VCTP2705 R or L-CM</b>	VW2704
<b>VCTP2705 B-CM</b>	VW2704
<b>VCTP4205 R or L-CM</b>	VMC42
<b>VCTP4205 B-CM</b>	VMC42
<b>VCTP4805 R or L-CM</b>	VMC48
<b>VCTP4805 B-CM</b>	VMC48

9 11/16" deep

<b>VCTP2407 R or L-CM</b>	VWB2430
<b>VCTP2407 B-CM</b>	VWB2430

10 11/16" deep

<b>VCTP1208 R or L-CM</b>	VW1208
<b>VCTP1208 B-CM</b>	VW1208
<b>VCTP1508 R or L-CM</b>	VW1508
<b>VCTP1508 B-CM</b>	VW1508
<b>VCTP2408 R or L-CM</b>	VW2408
<b>VCTP2408 B-CM</b>	VW2408
<b>VCTP2708 R or L-CM</b>	VW2708
<b>VCTP2708 B-CM</b>	VW2708

14 11/16" deep

<b>VCTP1512 R or L-CM</b>	VLC1512 OR VLT1512
<b>VCTP1512 B-CM</b>	VLC1512 or VLT1512
<b>VCTP1812 R or L-CM</b>	VLC1812 or VLT1812
<b>VCTP1812 B-CM</b>	VLC1812 or VLT1812
<b>VCTP2112 R or L-CM</b>	VLC2112
<b>VCTP2112 B-CM</b>	VLC2112

17 11/16" deep

<b>VCTP1515 R or L-CM</b>	VLC1515
<b>VCTP1515 B-CM</b>	VLC1515
<b>VCTP1815 R or L-CM</b>	VLC1815
<b>VCTP1815 B-CM</b>	VLC1815

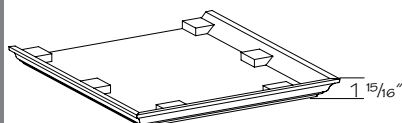
20 11/16" deep

<b>VCTP1518 R or L-CM</b>	VLC1518 or VLT1518
<b>VCTP1518 B-CM</b>	VLC1518 or VLT1518
<b>VCTP1818 R or L-CM</b>	VLC1818 or VLT1818
<b>VCTP1818 B-CM</b>	VLC1818 or VLT1818

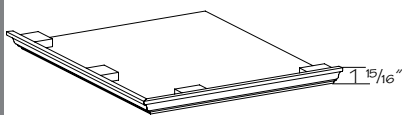
23 11/16" deep

<b>VCTP1521 R or L-CM</b>	VLC1521 or VLT1521
<b>VCTP1521 B-CM</b>	VLC1521 or VLT1521
<b>VCTP1821 R or L-CM</b>	VLC1821 or VLT1821
<b>VCTP1821 B-CM</b>	VLC1821 or VLT1821
<b>VCTP2121 R or L-CM</b>	VLC2121
<b>VCTP2121 B-CM</b>	VLC2121
<b>VCTP2421 R or L-CM</b>	VTL2421
<b>VCTP2421 B-CM</b>	VTL2421

Color coding indicates new product, size or code



**VCTPB.CM**



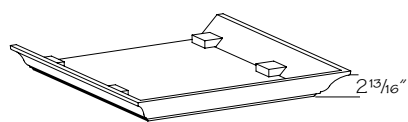
**VCTPL.CM**

	Nominal Width	Actual Width
VCTP12 R	12"	13 1/16"
VCTP12 B	12"	15 1/16"
VCTP15 R	15"	16 1/16"
VCTP15 B	15"	18 1/16"
VCTP18 R	18"	19 1/16"
VCTP18 B	18"	21 1/16"
VCTP21 R	21"	22 1/16"
VCTP21 B	21"	24 1/16"
VCTP24 R	24"	25 1/16"
VCTP24 B	24"	27 1/16"
VCTP27 R	27"	28 1/16"
VCTP27 B	27"	30 1/16"
VCTP42 R	42"	43 1/16"
VCTP42 B	42"	45 1/16"
VCTP48 R	48"	49 1/16"
VCTP48 B	48"	51 1/16"

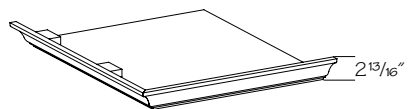
- Decorative top plate for vanity linen and wall cabinets
- 3/4" plywood or laminate panel trimmed with Crown Molding (CM8)
- Quartersawn door styles will be supplied in plain sawn wood

### Vanity Top Plates—Large Crown

(price book pg. G38)



**VCTPB.LCM**



**VCTPL.LCM**

	Nominal Width	Actual Width
VCTP12 R	12"	14 1/16"
VCTP12 B	12"	17 1/16"
VCTP15 R	15"	17 1/16"
VCTP15 B	15"	20 1/16"
VCTP18 R	18"	20 1/16"
VCTP18 B	18"	23 1/16"
VCTP21 R	21"	23 1/16"
VCTP21 B	21"	26 1/16"
VCTP24 R	24"	26 1/16"
VCTP24 B	24"	29 1/16"
VCTP27 R	27"	29 1/16"
VCTP27 B	27"	32 1/16"
VCTP42 R	42"	44 1/16"
VCTP42 B	42"	47 1/16"
VCTP48 R	48"	50 1/16"
VCTP48 B	48"	53 1/16"

Measurements include molding

8 5/16" deep Fits cabinet:

<b>VCTP1205 R or L-LCM</b>	VW1204
<b>VCTP1205 B-LCM</b>	VW1204
<b>VCTP1505 R or L-LCM</b>	VW1504
<b>VCTP1505 B-LCM</b>	VW1504
<b>VCTP2405 R or L-LCM</b>	VW2404
<b>VCTP2405 B-LCM</b>	VW2404
<b>VCTP2705 R or L-LCM</b>	VW2704
<b>VCTP2705 B-LCM</b>	VW2704
<b>VCTP4205 R or L-LCM</b>	VMC42
<b>VCTP4205 B-LCM</b>	VMC42
<b>VCTP4805 R or L-LCM</b>	VMC48
<b>VCTP4805 B-LCM</b>	VMC48

10 3/4" deep

<b>VCTP2407 R or L-LCM</b>	VWB2430
<b>VCTP2407 B-LCM</b>	VWB2430

11 3/4" deep

<b>VCTP1208 R or L-LCM</b>	VW1208
<b>VCTP1208 B-LCM</b>	VW1208
<b>VCTP1508 R or L-LCM</b>	VW1508
<b>VCTP1508 B-LCM</b>	VW1508
<b>VCTP2408 R or L-LCM</b>	VW2408
<b>VCTP2408 B-LCM</b>	VW2408
<b>VCTP2708 R or L-LCM</b>	VW2708
<b>VCTP2708 B-LCM</b>	VW2708

15 3/4" deep

<b>VCTP1512 R or L-LCM</b>	VLC1512 or VLT1512
<b>VCTP1512 B-LCM</b>	VLC1512 or VLT1512
<b>VCTP1812 R or L-LCM</b>	VLC1812 or VLT1812
<b>VCTP1812 B-LCM</b>	VLC1812 or VLT1812
<b>VCTP2112 R or L-LCM</b>	VLC2112
<b>VCTP2112 B-LCM</b>	VLC2112

18 3/4" deep

<b>VCTP1515 R or L-LCM</b>	VLC1515
<b>VCTP1515 B-LCM</b>	VLC1515
<b>VCTP1815 R or L-LCM</b>	VLC1815
<b>VCTP1815 B-LCM</b>	VLC1815

21 3/4" deep

<b>VCTP1518 R or L-LCM</b>	VLC1518 or VLT1518
<b>VCTP1518 B-LCM</b>	VLC1518 or VLT1518
<b>VCTP1818 R or L-LCM</b>	VLC1818 or VLT1818
<b>VCTP1818 B-LCM</b>	VLC1818 or VLT1818

24 3/4" deep

<b>VCTP1521 R or L-LCM</b>	VLC1521 or VLT1521
<b>VCTP1521 B-LCM</b>	VLC1521 or VLT1521
<b>VCTP1821 R or L-LCM</b>	VLC1821 or VLT1821
<b>VCTP1821 B-LCM</b>	VLC1821 or VLT1821
<b>VCTP2121 R or L-LCM</b>	VLC2121
<b>VCTP2121 B-LCM</b>	VLC2121
<b>VCTP2421 R or L-LCM</b>	VTL2421
<b>VCTP2421 B-LCM</b>	VTL2421

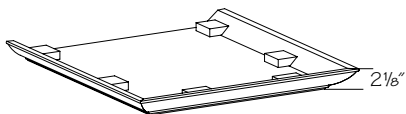
Color coding indicates new product, size or code

PE
APC
APFC
FPEB
MI
RD
VTK
WR

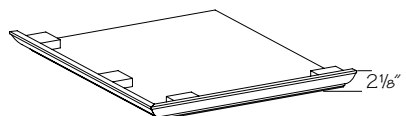
- Decorative top plate for vanity linen and wall cabinets
- 3/4" plywood or laminate panel trimmed with Large Crown Molding (LCM8)
- Quartersawn door styles will be supplied in plain sawn wood

### Vanity Top Plates—Federal

(price book pg. G37)



**VCTPB.LFDM**



**VCTPL.LFDM**

	Nominal Width	Actual Width
VCTP12 R	12"	14 1/2"
VCTP12 B	12"	17"
VCTP15 R	15"	17 1/2"
VCTP15 B	15"	20"
VCTP18 R	18"	20 1/2"
VCTP18 B	18"	2"
VCTP21 R	21"	23 1/2"
VCTP21 B	21"	26"
VCTP24 R	24"	26 1/2"
VCTP24 B	24"	29"
VCTP27 R	27"	29 1/2"
VCTP27 B	27"	32"
VCTP42 R	42"	44 1/2"
VCTP42 B	42"	47"
VCTP48 R	48"	50 1/2"
VCTP48 B	48"	53"

Measurements include molding

7 7/8" deep Fits cabinet:

<b>VCTP1205 R or L-LFDM</b>	VW1204
<b>VCTP1205 B-LFDM</b>	VW1204
<b>VCTP1505 R or L-LFDM</b>	VW1504
<b>VCTP1505 B-LFDM</b>	VW1504
<b>VCTP2405 R or L-LFDM</b>	VW2404
<b>VCTP2405 B-LFDM</b>	VW2404
<b>VCTP2705 R or L-LFDM</b>	VW2704
<b>VCTP2705 B-LFDM</b>	VW2704
<b>VCTP4205 R or L-LFDM</b>	VMC42
<b>VCTP4205 B-LFDM</b>	VMC42
<b>VCTP4805 R or L-LFDM</b>	VMC48
<b>VCTP4805 B-LFDM</b>	VMC48

10 1/4" deep

<b>VCTP2407 R or L-LFDM</b>	VWB2430
<b>VCTP2407 B-LFDM</b>	VWB2430

11 1/4" deep

<b>VCTP1208 R or L-LFDM</b>	VW1208
<b>VCTP1208 B-LFDM</b>	VW1208
<b>VCTP1508 R or L-LFDM</b>	VW1508
<b>VCTP1508 B-LFDM</b>	VW1508
<b>VCTP2408 R or L-LFDM</b>	VW2408
<b>VCTP2408 B-LFDM</b>	VW2408
<b>VCTP2708 R or L-LFDM</b>	VW2708
<b>VCTP2708 B-LFDM</b>	VW2708

15 1/4" deep

<b>VCTP1512 R or L-LFDM</b>	VLC1512 or VLT1512
<b>VCTP1512 B-LFDM</b>	VLC1512 or VLT1512
<b>VCTP1812 R or L-LFDM</b>	VLC1812 or VLT1812
<b>VCTP1812 B-LFDM</b>	VLC1812 or VLT1812
<b>VCTP2112 R or L-LFDM</b>	VLC2112
<b>VCTP2112 B-LFDM</b>	VLC2112
<b>VCTP1515 R or L-LFDM</b>	VLC1515

18 1/4" deep

<b>VCTP1515 B-LFDM</b>	VLC1515
<b>VCTP1815 R or L-LFDM</b>	VLC1815
<b>VCTP1815 B-LFDM</b>	VLC1815
<b>VCTP1518 R or L-LFDM</b>	VLC1518 or VLT1518

21 1/4" deep

<b>VCTP1518 B-LFDM</b>	VLC1518 or VLT1518
<b>VCTP1818 R or L-LFDM</b>	VLC1818 or VLT1818
<b>VCTP1818 B-LFDM</b>	VLC1818 or VLT1818
<b>VCTP1521 R or L-LFDM</b>	VLC1521 or VLT1521

24 1/4" deep

<b>VCTP1521 B-LFDM</b>	VLC1521 or VLT1521
<b>VCTP1821 R or L-LFDM</b>	VLC1821 or VLT1821
<b>VCTP1821 B-LFDM</b>	VLC1821 or VLT1821
<b>VCTP2121 R or L-LFDM</b>	VLC2121
<b>VCTP2121 B-LFDM</b>	VLC2121
<b>VCTP2421 R or L-LFDM</b>	VTL2421
<b>VCTP2421 B-LFDM</b>	VTL2421

Color coding indicates new product, size or code

PE
APC
APFC
FPEB
MI
RD
VTK
WR

- Decorative top plate for vanity linen and wall cabinets
- 3/4" plywood or laminate panel trimmed with Large Federal Molding (LFDM8)
- Available in Cherry, Laminate and Maple door styles only
- Laminates are painted hardwood

PE
APC
APFC
FPEB
MI
RD
VTK
WR

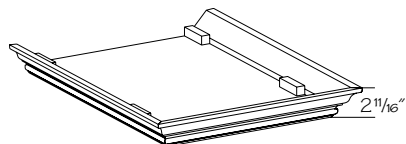
### Vanity Top Plates—Traditional

(price book pg. G38)

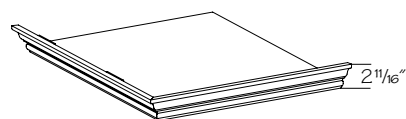
7 5/16" deep

Fits cabinet:

- VCTP1205 R or L-T** VW1204
- VCTP1205 B-T** VW1204
- VCTP1505 R or L-T** VW1504
- VCTP1505 B-T** VW1504
- VCTP2405 R or L-T** VW2404
- VCTP2405 B-T** VW2404
- VCTP2705 R or L-T** VW2704
- VCTP2705 B-T** VW2704
- VCTP4205 R or L-T** VMC42
- VCTP4205 B-T** VMC42
- VCTP4805 R or L-T** VMC48
- VCTP4805 B-T** VMC48



**VCTPB.T**



**VCTPL.T**

	Nominal Width	Actual Width
VCTP12 R	12"	13 1/8"
VCTP12 B	12"	15 1/8"
VCTP15 R	15"	16 1/8"
VCTP15 B	15"	18 1/8"
VCTP18 R	18"	19 1/8"
VCTP18 B	18"	21 1/8"
VCTP21 R	21"	22 1/8"
VCTP21 B	21"	24 1/8"
VCTP24 R	24"	25 1/8"
VCTP24 B	24"	27 1/8"
VCTP27 R	27"	28 1/8"
VCTP27 B	27"	30 1/8"
VCTP42 R	42"	43 1/8"
VCTP42 B	42"	45 1/8"
VCTP48 R	48"	49 1/8"
VCTP48 B	48"	51 1/8"

Measurements include molding

9 11/16" deep

- VCTP2407 R or L-T** VWB2430
- VCTP2407 B-T** VWB2430

10 11/16" deep

- VCTP1208 R or L-T** VW1208
- VCTP1208 B-T** VW1208
- VCTP1508 R or L-T** VW1508
- VCTP1508 B-T** VW1508
- VCTP2408 R or L-T** VW2408
- VCTP2408 B-T** VW2408
- VCTP2708 R or L-T** VW2708
- VCTP2708 B-T** VW2708

14 11/16" deep

- VCTP1512 R or L-T** VLC1512 OR VLT1512
- VCTP1512 B-T** VLC1512 or VLT1512
- VCTP1812 R or L-T** VLC1812 or VLT1812
- VCTP1812 B-T** VLC1812 or VLT1812
- VCTP2112 R or L-T** VLC2112
- VCTP2112 B-T** VLC2112

17 11/16" deep

- VCTP1515 R or L-T** VLC1515
- VCTP1515 B-T** VLC1515
- VCTP1815 R or L-T** VLC1815
- VCTP1815 B-T** VLC1815

20 11/16" deep

- VCTP1518 R or L-T** VLC1518 or VLT1518
- VCTP1518 B-T** VLC1518 or VLT1518
- VCTP1818 R or L-T** VLC1818 or VLT1818
- VCTP1818 B-T** VLC1818 or VLT1818

23 11/16" deep

- VCTP1521 R or L-T** VLC1521 or VLT1521
- VCTP1521 B-T** VLC1521 or VLT1521
- VCTP1821 R or L-T** VLC1821 or VLT1821
- VCTP1821 B-T** VLC1821 or VLT1821
- VCTP2121 R or L-T** VLC2121
- VCTP2121 B-T** VLC2121
- VCTP2421 R or L-T** VTL2421
- VCTP2421 B-T** VTL2421

Color coding indicates new product, size or code

- Decorative top plate for vanity linen and wall cabinets
- 3/4" plywood or laminate panel trimmed with Ogee Edging (OGE8) and Crown Molding (CM8)
- Quartersawn door styles will be supplied in plain sawn wood

### Vanity Decorative Skirt

(price book pg. G38)

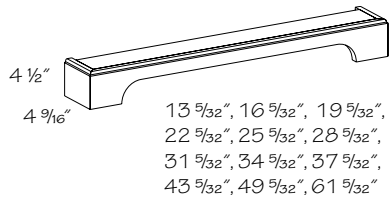
Standard Ends Fits cabinet:

- VCSK1204** VB12 or VBD12
- VCSK1504** VB15 or VBD15
- VCSK1804** VLC18 or VB18 or VSB18 or VBD18
- VCSK2104** VB21 or VSB21 or VBD21
- VCSK2404** VB24 or VSB24 or VBD24 or VCD24
- VCSK2704** VB27 or VSB27 or VBD27 or VCD27
- VCSK3004** VB30 or VSB30 or VCD30
- VCSK3304** VB33 or VSB33
- VCSK3604** VSB36 or VCD36
- VCSK4204** VSB42 or VCD42
- VCSK4804** VSB48 or VCD48
- VCSK6004** VSB60 or VCD60

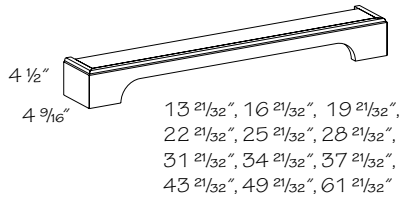
Flush/

Integrated Ends Fits cabinet:

- VCSKF1204** VB12 or VBD12
- VCSKF1504** VB15 or VBD15
- VCSKF1804** VLC18 or VB18 or VSB18 or VBD18
- VCSKF2104** VB21 or VSB21 or VBD21
- VCSKF2404** VB24 or VSB24 or VBD24 or VCD24
- VCSKF2704** VB27 or VSB27 or VBD27 or VCD27
- VCSKF3004** VB30 or VSB30 or VCD30
- VCSKF3304** VB33 or VSB33
- VCSKF3604** VSB36 or VCD36
- VCSKF4204** VSB42 or VCD42
- VCSKF4804** VSB48 or VCD48
- VCSKF6004** VSB60 or VCD60



VCSK



VCSKF

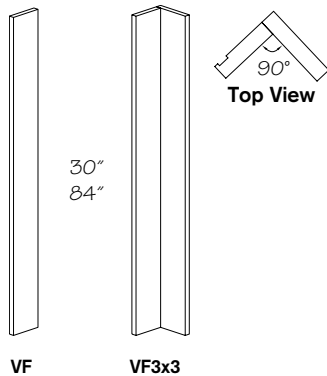
- Solid wood front and sides stained to match or painted White or Cream
- Decorative routing at top
- Designed to fit vanity toe kick space
- If desired, matching toe kick must be ordered separately and installed before skirt
- Quartersawn door styles will be supplied in plain sawn wood

PE
APC
APFC
FPEB
MI
RD
VTK
WR

### Vanity Filler

(price book pg. G38)

- VF3 -34**
- VF6 -34**
- VF3 -88**
- VF6 -88**
- VF3X3 -34**



VF

VF3x3

- 3/4" solid wood
- Quartersawn door styles will be supplied in plain sawn wood
- No toe kick



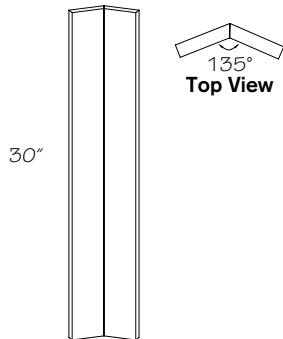
Remember to use fillers with full overlay door styles, especially square edge profiles, when cabinets will be against a return wall, box, pilaster or column. Use fillers on all overlays if there is case molding on a return wall. This will ensure proper clearance for drawers and roll-out tray access.

PE
APC
APFC
FPEB
MI
RD
VTK
WR

### Vanity Inside Corner Angle Filler

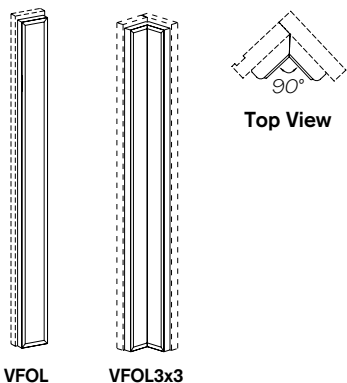
(price book pg. G38)

- ICAF30**
- 3/4" solid wood
- Quartersawn door styles will be supplied in plain sawn wood
- Finished one side only
- **Not** available in laminate door styles



30"

PE
APC
APFC
FPEB
MI
RD
VTK
WR



VFOL

VFOL3x3

Top View

### Vanity Filler Overlay

(price book pg. G38)

**VFOL3 -34**

**VFOL6 -34**

**VFOL3 -88**

**VFOL6 -88**

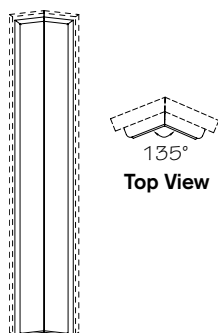
**VFOL3X3 -34**

**VFOL3 -88-FH**

**VFOL6 -88-FH**

- Available in full overlay door styles only
- Filler overlay has routed door profile and is solid wood or laminate
- Filler ordered separately
- Quartersawn oak door styles are 3/4" quartersawn solid wood with matching door profile on all sides. Quartersawn cherry and maple door styles are quartersawn wood veneer.

PE
APC
APFC
FPEB
MI
RD
VTK
WR



Top View

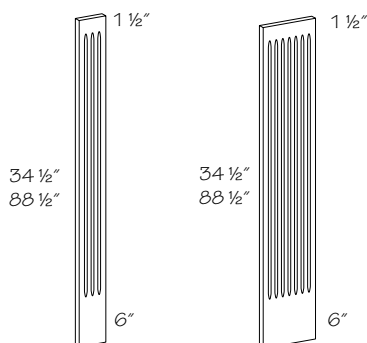
### Vanity Inside Corner Angle Filler Overlay

(price book pg. G39)

**ICAFOL30**

- 3/4" solid wood
- Available in full overlay door styles only
- Filler overlay has routed door profile and is solid wood
- Quartersawn oak door styles are 3/4" quartersawn solid wood with matching door profile on all sides. Quartersawn cherry and maple door styles are quartersawn wood veneer.
- Filler ordered separately
- Shipped as two pieces
- **Not** available in laminate door styles

PE
APC
APFC
FPEB
MI
RD
VTK
WR



34 1/2"  
88 1/2"

34 1/2"  
88 1/2"

6"

6"

### Vanity Fluted Filler

(price book pg. G39)

**VFF3 -34**

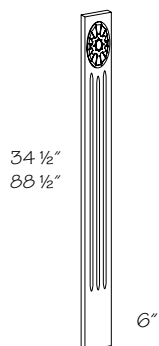
**VFF6 -34**

**VFF3 -88**

**VFF6 -88**

- 3/4" solid wood
- Laminates are painted hardwood
- **Not** available in Morrystown; Brockton, Melrose and Putnam Oak supplied plain sawn

PE
APC
APFC
FPEB
MI
RD
VTK
WR



34 1/2"  
88 1/2"

6"

### Rosette Vanity Fluted Filler

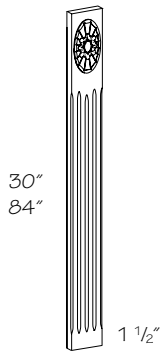
(price book pg. G39)

**RVFF3 -34**

**RVFF3 -88**

- 3/4" solid wood
- Applied decorative rosette
- Laminates are painted hardwood
- **Not** available in Morrystown; Brockton, Melrose and Putnam Oak supplied plain sawn

PE
APC
APFC
FPEB
MI
RD
VTK
WR



### Rosette Fluted Vanity Filler Overlay

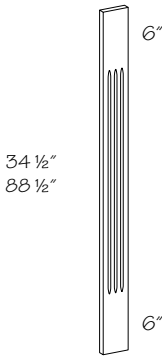
(price book pg. G39)

**RFVFL3 -34**

**RFVFL3 -88**

- 3/4" solid wood
- Applied decorative rosette
- Laminates are painted hardwood
- **Not** available in Morristown; Brockton, Melrose and Putnam Oak supplied plain sawn

PE
APC
APFC
FPEB
MI
RD
VTK
WR



### Plain Capital Vanity Fluted Filler

(price book pg. G39)

**PCVFF3 -34**

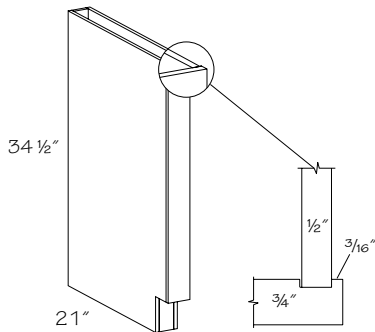
**PCVFF6 -34**

**PCVFF3 -88**

**PCVFF6 -88**

- 3/4" solid wood
- Laminates are painted hardwood
- **Not** available in Morristown; Brockton, Melrose and Putnam Oak supplied plain sawn

PE
APC
APFC
FPEB
MI
RD
VTK
WR



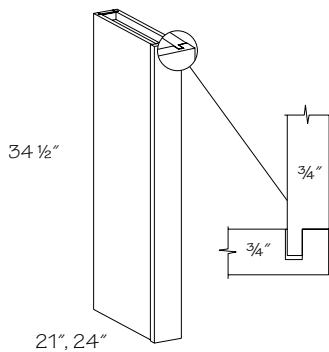
### Vanity Box

(price book pg. G39)

**VB32134**

- Finished front and both sides
- Reversible, may be used on either right or left end

● PE
● APC
● APFC
● FPEB
MI
● RD
● VTK
● WR



### Vanity Column

(price book pg. G39)

**VC32134**

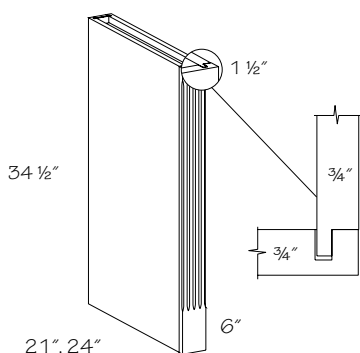
**VC62134**

**VC32434**

**VC62434**

- Front is 3/4" solid wood
- Quartersawn oak door styles have 3/4" solid quartersawn wood front and quartersawn wood veneer end panels
- Quartersawn cherry and maple door styles have 3/4" solid plain sawn wood front and plain sawn wood veneer end panels
- Finished front and both sides
- Reversible, may be installed left or right
- ☆ APFC standard when APC option is selected

PE
● APC
☆ APFC
❖ FPEB
MI
● RD
VTK
❖ WR



### Vanity Fluted Column

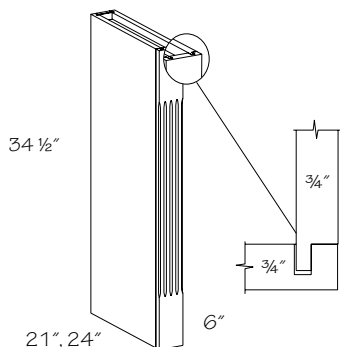
(price book pg. G39)

#### VFC32134

#### VFC32434

- Fluted front is 3/4" solid wood; plain sawn wood supplied for quartersawn door styles
- Finished front and both sides
- Quartersawn oak door styles have quartersawn wood veneer end panels. Quartersawn cherry and maple door styles have plain sawn end panels.
- Reversible, may be used on either right or left end
- **Not** available in Morristown
- ☆ APFC standard when APC option is selected

PE
● APC
☆ APFC
❖ FPFB
MI
● RD
● VTK
❖ WR



### Plain Capital Vanity Fluted Column

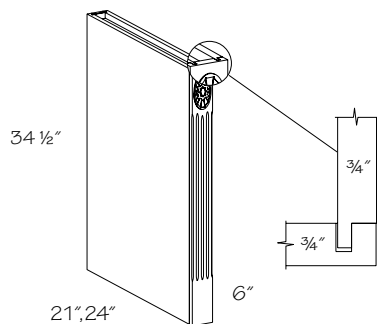
(price book pg. G39)

#### PCVFC32134

#### PCVFC32434

- Fluted front is 3/4" solid wood; plain sawn wood supplied for quartersawn door styles
- Finished front and both sides
- Quartersawn oak door styles have quartersawn wood veneer end panels. Quartersawn cherry and maple door styles have plain sawn end panels.
- Reversible, may be used on either right or left end
- **Not** available in Morristown
- ☆ APFC standard when APC option is selected

PE
● APC
☆ APFC
❖ FPFB
MI
● RD
● VTK
❖ WR



### Rosette Vanity Fluted Column

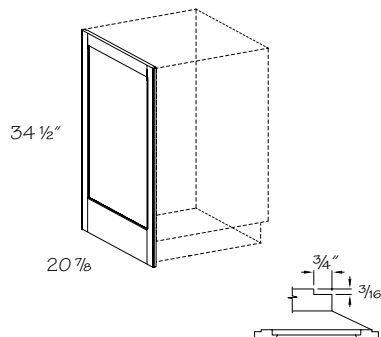
(price book pg. G39)

#### RVFC32134

#### RVFC32434

- Fluted front is 3/4" solid wood; plain sawn wood supplied for quartersawn door styles
- Finished front and both sides
- Quartersawn oak door styles have quartersawn wood veneer end panels. Quartersawn cherry and maple door styles have plain sawn end panels.
- Reversible, may be used on either right or left end
- Applied decorative rosette
- Laminates are painted hardwood
- **Not** available in Morristown; Brockton, Melrose and Putnam Oak supplied plain sawn
- ☆ APFC standard when APC option is selected

PE
● APC
☆ APFC
❖ FPFB
MI
● RD
● VTK
❖ WR



### Universal Vanity End Panel

(price book pg. G39)

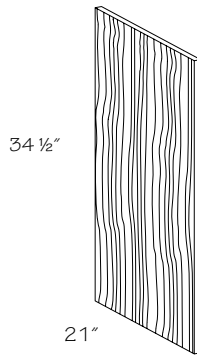
#### UVEP2134

- 3/4" thick frame with square recessed panel
- Field installation only
- Reversible, may be installed left or right
- **Not** available in laminate door styles
- ☆ Wide Bottom Rail—field notch for toe kick
- **Not** available in Morristown; Brockton, Melrose and Putnam Oak supplied plain sawn

PE
● APC
● APFC
● FPFB
MI
RD
VTK
☆ WR

### Vanity End Panel

(price book pg. G39)



- **VVEP2134** 21" x 34 1/2" x 3/4"
- ▲※ **WVEP2134** 21" x 34 1/2" x 7/8"

- **Not** available in Morristown; Brockton, Melrose and Putnam Oak supplied plain sawn
- ※ Laminates are painted hardwood
- ▲ Quartersawn cherry and maple door styles supplied plain sawn.

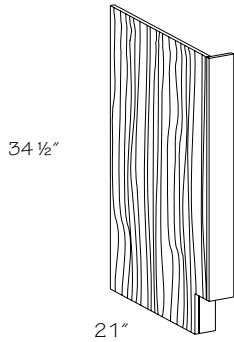
- Edgebanded one long edge
- Finishes to match exterior both sides
- ☆ APC panel only available in wood veneer
- ☆ APC panel is 11/16" thick

PE
☆ APC
APFC
FPEB
MI
RD
VTK
WR

### Vanity End Panel w/Stile

(price book pg. G39)

Specify R or L Viraguard



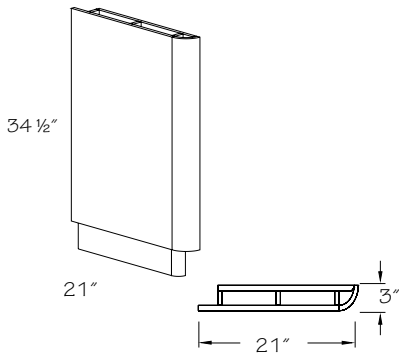
- **VEP1 1/2 R or L-34**
- **VEP3 R or L-34**

- Exterior finished to match, interior is Natural Birch Viraguard
- Left shown

● PE
● APC
● APFC
● FPEB
● MI
● RD
● VTK
● WR

### Vanity Curved End Panel

(price book pg. G39)



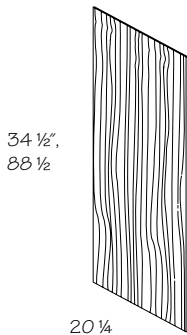
- **VEP32134 CEP**

- 5/8" wood veneer construction
- Reversible, may be used on either right or left end
- Curved matching toe kick included and shipped separately
- **Not** available in Morristown; Brockton, Melrose and Putnam Oak supplied plain sawn

PE
APC
APFC
FPEB
MI
RD
VTK
WR

### Vanity Skin-Viraguard

(price book pg. D116, E81, F39, J2)



- **VSK2134** 20 1/4" x 34 1/2" x 1/8"
- **VSK2188** 20 1/4" x 88 1/2" x 1/8"

- Viraguard paneling is finished one side except as indicated
- Edges are unfinished with no edgebanding
- **Not** available in Morristown; Brockton, Melrose and Putnam Oak supplied plain sawn



Remember that most flat panels will **not** take glaze finishes like doors and molding due to little or no hang-up. When choosing a glaze finish, consider using a matching end panel on exposed ends of cabinets.

PE
APC
APFC
FPEB
MI
RD
VTK
WR

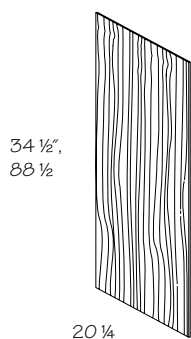
### Vanity Skin-Wood Veneer

(price book pg. D116, E81, F40, J1)

**WSK2134** 20 1/4" x 34 1/2" x 3/16"

**WSK2188** 20 1/4" x 88 1/2" x 3/16"

- Plywood construction
- Quartersawn oak door styles are quartersawn wood veneer
- Quartersawn cherry and maple door styles supplied plain sawn
- Finished one side only
- Edges are unfinished with no edgebanding



Remember to order "Furniture Ends" (FPEB) or a Wood Skin (WSK) for wall cabinets that will be at the end of a run when applying decorative moldings. This will result in a flush application on the return.

PE
APC
APFC
FPEB
MI
RD
VTK
WR

### Matching Tall Vanity End Panel

(price book pg. G39, G78)

**MTEP1288 R or L**

**MTEP1888 R or L**

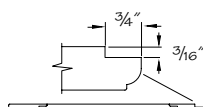
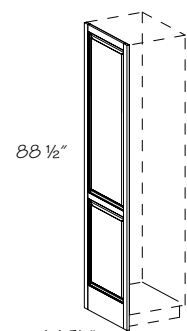
**MTEP2188 R or L**

- 3/4" thick panel with matching door edge profile on front edge only
- Left shown
- Field installation only
- **Not** available in laminate door styles
- **Not** available in slab door styles
- **Not** available in mitered door styles; use End Panel-Mitered
- **Not** available in Morristown
- ☆ Wide Bottom Rail—field notch for toe kick



When designing with Matching End Panels the reveal will differ from the cabinet door height reveal. Matching End Panels cover the entire side of the cabinet. See drawing for exact measurements.

PE
APC
APFC
FPEB
MI
RD
VTK
☆ WR



Standard edge detail—fits flush against 1/2" end panel and behind face frame

### Matching Tall Vanity End Panel—Square Edges

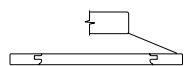
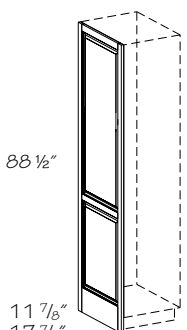
(price book pg. G39, G78)

**MTEP1288 -S**

**MTEP1888 -S**

**MTEP2188 -S**

- 3/4" thick panel with square edge front and back
- Reversible, may be used on either right or left end
- No frame recess dado
- Field installation only
- **Not** available in laminate door styles
- **Not** available in slab door styles
- **Not** available in mitered door styles; use End Panel-Mitered
- **Not** available in Morristown
- ☆ Wide Bottom Rail—field notch for toe kick



Will not fit flush against 1/2" end panel, a 3/16" shim is recommended

PE
APC
APFC
FPEB
MI
RD
VTK
☆ WR

### Recessed Matching Tall Vanity End Panel

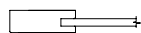
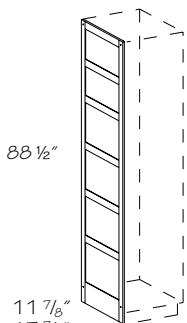
(price book pg. G39, G78)

**RMTEP1288 -M**

**RMTEP1888 -M**

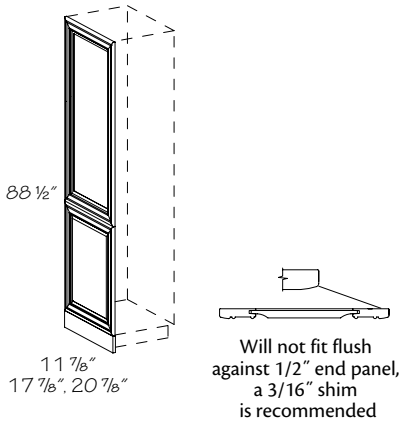
**RMTEP2188 -M**

- Quartersawn solid wood
- 3/4" thick
- Recessed panel grain runs horizontally
- Reversible, may be installed left or right
- Field installation only
- Available in Morristown door style only
- ☆ Wide Bottom Rail—field notch for toe kick



Will not fit flush against 1/2" end panel, a 3/16" shim is recommended

PE
APC
APFC
FPEB
MI
RD
VTK
☆ WR



### Matching Tall Vanity End Panel-Mitered

(price book pg. G39, G80)

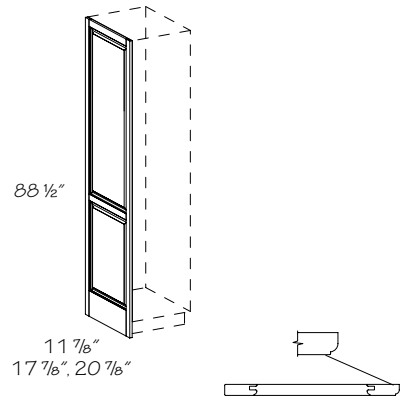
**M-MTEP1288**

**M-MTEP1888**

**M-MTEP2188**

- 3/4" thick panel with matching door edge profile on four sides
- Reversible, may be used on either right or left end
- Available in mitered door styles only
- Field installation only
- Top, bottom and toe kick shipped separately

PE
APC
APFC
FPEB
MI
RD
VTK
WR



### Furniture Matching Tall Vanity End Panel

(price book pg. G40, G80)

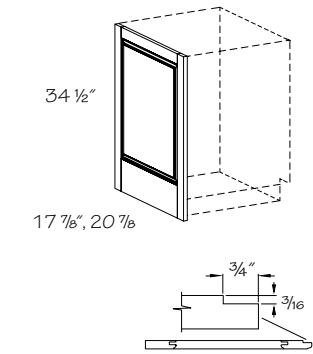
**FMTEP1288 R or L**

**FMTEP1888 R or L**

**FMTEP2188 R or L**

- 3/4" thick panel with matching door edge profile on front edge only
- Left shown
- Field installation only
- For use with Furniture Plywood Ends (FPEB)—flush ends
- **Not** available in laminate door styles
- **Not** available in slab door styles
- **Not** available in mitered door styles; use End Panel-Mitered
- **Not** available in Morristown
- ☆ Wide Bottom Rail—field notch for toe kick

PE
APC
APFC
FPEB
MI
RD
VTK
☆ WR



### Matching Vanity End Panel

(price book pg. G40, G80)

**MVEP1834 R or L**

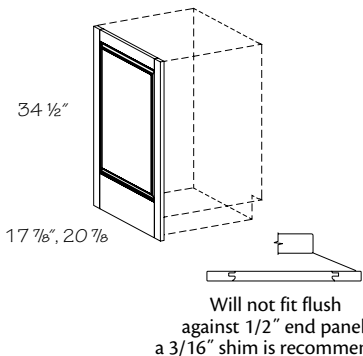
**MVEP2134 R or L**

- 3/4" thick panel with matching door edge profile on front edge only
- Left shown
- Laminate and slab door styles do **not** have grooves and will **not** fit flush against 1/2" end panel. A 3/16" shim is recommended.
- **Not** available in Morristown; Melrose and Brockton are plain sawn wood
- **Not** available in mitered door styles; use End Panel-Mitered
- ☆ Wide Bottom Rail—field notch for toe kick



When designing with Matching End Panels the reveal will differ from the cabinet door height reveal. Matching End Panels cover the entire side of the cabinet. See drawing for exact measurements.

PE
APC
APFC
FPEB
MI
RD
VTK
☆ WR



### Matching Vanity End Panel-Square Edges

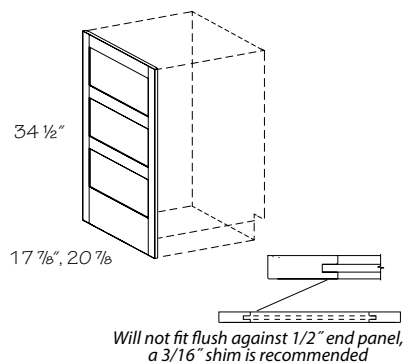
(price book pg. G40, G80)

**MVEP1834 -S**

**MVEP2134 -S**

- 3/4" thick panel with square edge front and back
- Reversible, may be installed left or right
- No frame recess dado
- Field installation only
- **Not** available in laminate door styles
- **Not** available in Morristown; Melrose and Brockton are plain sawn wood
- **Not** available in mitered door styles; use End Panel-Mitered
- ☆ Wide Bottom Rail—field notch for toe kick

PE
APC
APFC
FPEB
MI
RD
VTK
☆ WR



### Recessed Matching Vanity End Panel

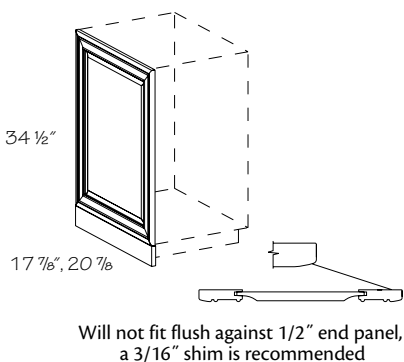
(price book pg. G40, G80)

**RMVEP1834 •M**

**RMVEP2134 •M**

- Quartersawn solid wood
- 3/4" thick
- Recessed panel grain runs horizontally
- Reversible, may be installed left or right
- Field installation only
- Available in Morristown door style only
- ☆ Wide Bottom Rail—field notch for toe kick

PE
APC
APFC
FPEB
MI
RD
VTK
☆ WR



### Matching Vanity End Panel—Mitered

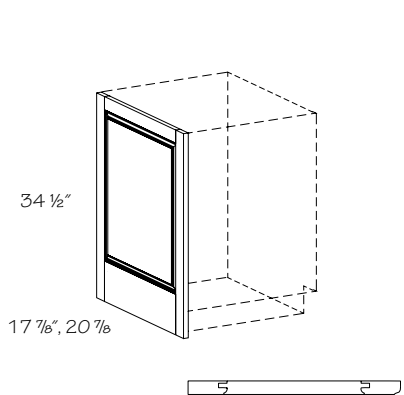
(price book pg. G40, G82)

**M•MVEP1834**

**M•MVEP2134**

- 3/4" thick panel with matching door edge profile on front edge only
- Available in mitered door styles only
- Reversible, may be used on either right or left end
- Field installation only
- Toe kick shipped unattached
- ☆ Wide Bottom Rail—field notch for toe kick

PE
APC
APFC
FPEB
MI
RD
VTK
☆ WR



### Furniture Matching Vanity End Panel

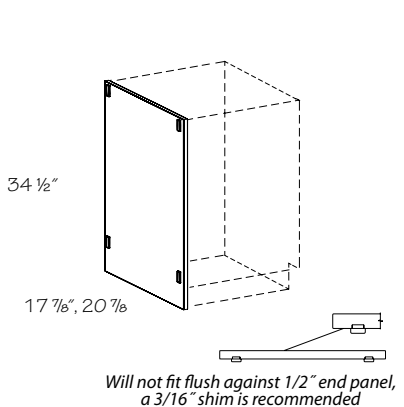
(price book pg. G40, G82)

**FMVEP1834 R or L**

**FMVEP2134 R or L**

- 3/4" thick panel with matching door edge profile on front edge only
- For use with Furniture Plywood Ends (FPEB)—flush ends
- Left shown
- Field installation only
- **Not** available in Morristown; Melrose and Brockton are plain sawn wood
- **Not** available in mitered door styles; use End Panel-Mitered
- ☆ Wide Bottom Rail—field notch for toe kick

PE
APC
APFC
FPEB
MI
RD
VTK
☆ WR



### Slab Matching Vanity End Panel

(price book pg. G40, G82)

**SMVEP1834 •M**

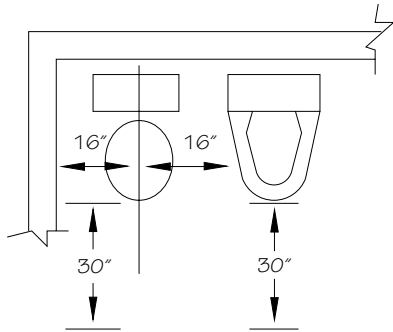
**SMVEP2134 •M**

- Quartersawn solid wood
- 3/4" thick
- Field installation only
- Reversible, may be installed left or right
- Available in Morristown door style only
- ☆ Wide Bottom Rail—field notch for toe kick

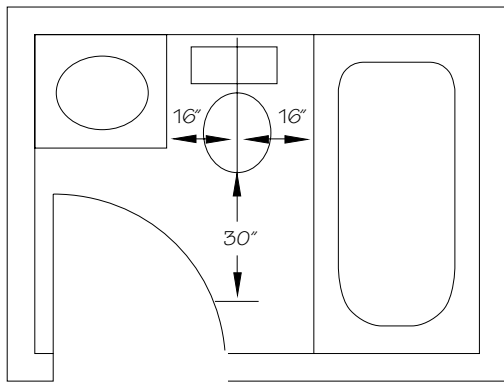
PE
APC
APFC
FPEB
MI
RD
VTK
☆ WR

## Vanity Bath Clearances

### Minimum Clearances

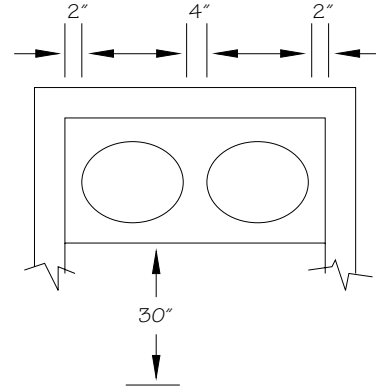


Minimum 30" of clearance space in front of the fixture.



16" of clearance on each side of center.

A minimum of 2" from the edge of the bowl to a wall or similar obstruction.



Minimum 30" of clearance space in front of the fixture. When using double bowls, allow 4" of space between the edge of each bowl.

### Desirable Clearances

