

Office Cabinets

Construction Options and Modifications

- --- Available with an upcharge
- ☆ --- Available with exceptions
- ◆ --- Included as standard
- (Blank) - Not available



Look for the Harmony® storage solutions symbol.

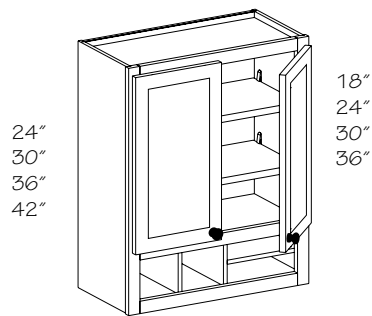
Note: Standard office cabinet box depth is 18", 21" or 24" unless stated otherwise. Add door thickness with bumpers for total depth. Standard base desk cabinet height is 29" unless stated otherwise.

Material dimensions may be nominal based on lumber industry standards.

Specifications subject to change without notice.

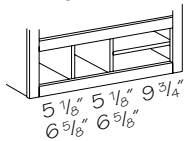
- PE --- Plywood Ends
- APC --- All Plywood Construction
- APFC --- All Plywood Furniture Construction
- FPEB --- Furniture Plywood Ends
- GD --- Glass Doors
- IF --- Inverted Frame
- MI --- Matching Interior
- RD --- Reduced Depth
- RTK --- Recessed Toe Kick
- RTKP --- Recessed Toe Kick Peninsula
- TWR --- Top Wide Rail
- VTK --- Void Toe Kick
- WR --- Wide Bottom Rail
- XS --- Extended Stile

TFD	24	24	58
code	width	depth	height

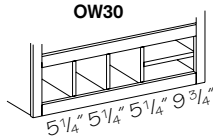


18"
24"
30"
36"

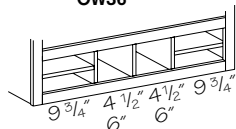
OW24
OW27



OW30



OW33
OW36



Organizer Wall Cabinet

(price book pg. H2)

No Shelf

- **OW2424 BUTT**
- **OW2724 (Butt)**

- ◆ **OW3024**
- ◆ **OW3324**
- ◆ **OW3624**

One Shelf

- **OW2430 R or L**
- **OW2430 BUTT**
- **OW2730 (Butt)**

- ◆ **OW3030**
- ◆ **OW3330**
- ◆ **OW3630**

Two Shelves

- **OW2436 R or L**
- **OW2436 BUTT**
- **OW2736 (Butt)**

- ◆ **OW3036**
- ◆ **OW3036 BUTT**

- ◆ **OW3336**
- ◆ **OW3636**

Three Shelves

- **OW2442 R or L**
- **OW2442 BUTT**
- **OW2742 (Butt)**

- ◆ **OW3042**
- ◆ **OW3342**
- ◆ **OW3642**

- ◆ 3" center stile

- ◆ Single door—specify right or left

- Adjustable shelves
- Back Options (BEB and VGRB) **not** available
- Contrasting Back Options (CBEB, CPLB, CVGR) **not** available
- ☆ Organizer section only is matching interior standard



- PE
- APC
- APFC
- FPEB
- GD
- IF
- ☆ MI
- RD
- RTK
- RTKP
- TWR
- VTK
- WR
- XS

Organizers

(price book pg. D106, H2)

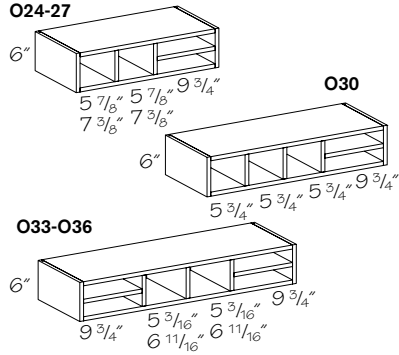
O24

O27

O30

O33

O36



- 5/8" wood veneer construction
- Quartersawn door styles will be supplied in plain sawn wood
- **Note:** This cabinet features "frameless" type construction
- Contrasting Back Options (CBEB, CPLB, CVGR) **not** available



When using an Organizer (O—) Cabinet or Spice Drawer Cabinet (SDC), which have flush ends standard, under a wall cabinet at the end of a run, either attach Furniture Ends (FE) or order a 3/16" Wood Skin (WSK) for the wall cabinet to flush the ends. (There will be a seam.) Also, consider ordering a furniture matching wall end panel if the height of the finished product allows it.

For an alternative, see our Organizer Wall Cabinet in the Office Cabinet section.

●	PE
●	APC
●	APFC
●	FPEB
●	GD
●	IF
◆	MI
●	RD
●	RTK
●	RTKP
●	TWR
●	VTK
●	WR
●	XS

Desk Door Cabinet—Single Door

(price book pg. H4)

Specify R or L
18" Deep

DDO1218 R or L
DDO1518 R or L
DDO1818 R or L
DDO2118 R or L

21" Deep

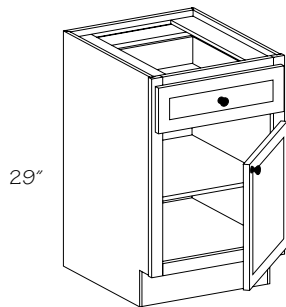
DDO12 R or L
DDO15 R or L
DDO18 R or L
DDO21 R or L

24" Deep

DDO1224 R or L
DDO1524 R or L
DDO1824 R or L
DDO2124 R or L

- Comfortable height for dressing table or writing surface
- One adjustable, full-depth shelf
- DDO12, 15, and 18 available with Full-Height Door (FHK) option

●	PE
●	APC
●	APFC
●	FPEB
●	GD
●	IF
●	MI
●	RD
●	RTK
●	RTKP
●	TWR
●	VTK
●	WR
●	XS



Desk Door Cabinet—Double Door

(price book pg. H4)

18" Deep

DDO2418 BUTT
DDO2718
◆ **DDO3018**
◆ **DDO3618 •2D**

21" Deep

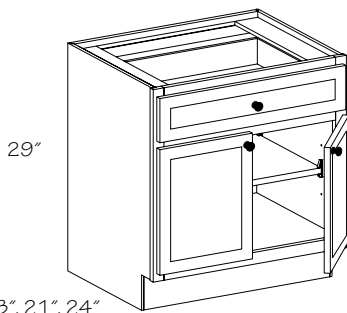
DDO24 BUTT
DDO27
◆ **DDO30**
◆ **DDO36 •2D**

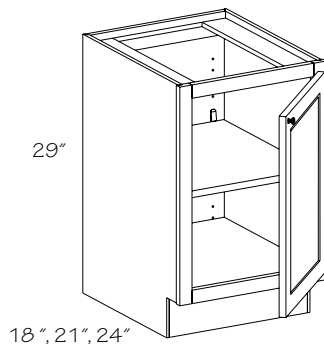
24" Deep

DDO2424 BUTT
DDO2724
◆ **DDO3024**
◆ **DDO3624 •2D**
◆ 3" center stile

- Comfortable height for dressing table or writing surface
- One adjustable, full-depth shelf
- DDO30 and 36 available with Full-Height Door (FHK) option

●	PE
●	APC
●	APFC
●	FPEB
●	GD
●	IF
●	MI
●	RD
●	RTK
●	RTKP
●	TWR
●	VTK
●	WR
●	XS





Desk Full-Height Door

(price book pg. H4)

18" Deep

DDO1218 R or L-FH
DDO1518 R or L-FH
DDO1818 R or L-FH

◆ **DDO3018 •FH**
 ◆ **DDO3618 •FH**

21" Deep

DDO12R or L-FH
DDO15R or L-FH
DDO18R or L-FH

◆ **DDO30•FH**
 ◆ **DDO36•FH**

24" Deep

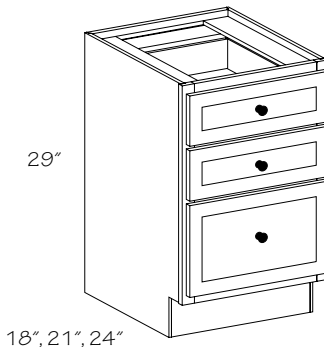
DDO1224 R or L-FH
DDO1524 R or L-FH
DDO1824 R or L-FH

◆ **DDO3024 •FH**
 ◆ **DDO3624 •FH**

◆ 3" center stile

- Comfortable height for dressing table or writing surface
- One adjustable, full-depth shelf

- PE
- APC
- APFC
- FPFB
- GD
- IF
- MI
- RD
- RTK
- RTKP
- TWR
- VTK
- WR
- XS



Desk Drawer Cabinet

(price book pg. H6)

18" Deep

DDR1218
DDR1518
DDR1818
DDR2118
DDR2418

21" Deep

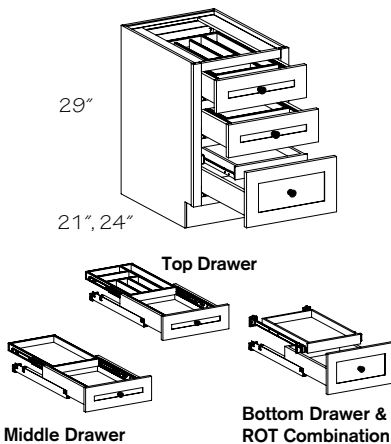
DDR12
DDR15
DDR18
DDR21
DDR24

24" Deep

DDR1224
DDR1524
DDR1824
DDR2124
DDR2424

- Comfortable height for dressing table or writing surface
- One deep drawer
- Two standard drawers

- PE
- APC
- APFC
- FPFB
- GD
- IF
- MI
- RD
- RTK
- RTKP
- TWR
- VTK
- WR
- XS



Desk Multi-Storage Drawer Cabinet

(price book pg. H6)

21" deep

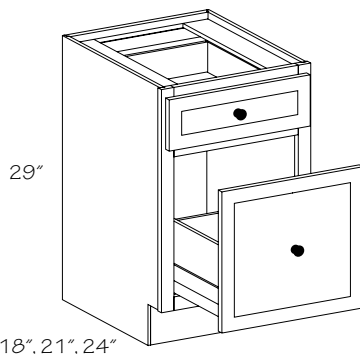
DMSD18
DMSD21
DMSD24

24" deep

DMSD1824
DMSD2124
DMSD2424

- Bottom drawer is 4" deep with standard Roll-out Tray (ROT) above drawer
- Two Tiered Drawer Storage drawers with dividers in top tray of top drawer only

- PE
- APC
- APFC
- FPFB
- GD
- IF
- MI
- RD
- RTK
- RTKP
- TWR
- VTK
- WR
- XS



Desk File Drawer Cabinet

(price book pg. H6)

18" Deep

DFD1518
DFD1818
DFD2118
DFD2418

21" Deep

DFD15
DFD18
DFD21
DFD24

24" Deep

DFD1524
DFD1824
DFD2124
DFD2424

- One standard drawer, one deep drawer
- Designed to accept standard hanging file system
- 15", 21" and 24" wide DFDs are designed to be used as a lateral file
- 18" deep cabinets cannot hold legal size folders when used as a lateral file
- All DFD drawer fronts will match the door panel detail rather than the standard drawer front for that door style
- Hanging file hardware is **not** included
- Hanging file folders **not** included
- ☆ Minimum Reduced Depth (RD) is 18"

- PE
- APC
- APFC
- FPFB
- GD
- IF
- MI
- ☆ RD
- RTK
- RTKP
- TWR
- VTK
- WR
- XS

Desk Double File Drawer

(price book pg. H8)

18" Deep

DDFD1818

DDFD2418

DDFD3018

21" Deep

DDFD18

DDFD24

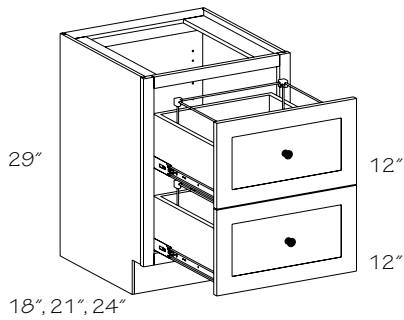
DDFD30

24" Deep

DDFD1824

DDFD2424

DDFD3024



- Two deep drawers with side-mount full-extension runners
- 24" wide DDFDs are designed to be used as a lateral file and can be adjusted to accept letter or legal file folders
- 18" and 30" wide DDFDs are designed to be used as a standard or lateral file and can be adjusted to accept letter or legal file folders
- 18" deep cabinets cannot hold legal size folders when used as a lateral file
- Hanging file hardware is included and attached to drawer box sides to support hanging file folders. Drawer box bottom does **not** support any weight.
- Hanging file folders **not** included



Desk Wastebasket

(price book pg. H8)

18" Deep

DWBT1518 •FH

DWBT1818 •FH

21" Deep

DWBT15 •FH

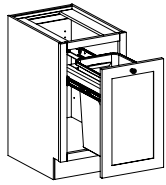
DWBT18 •FH

24" Deep

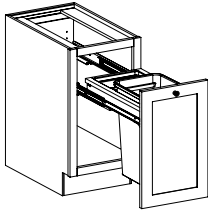
DWBT1524 •FH

DWBT1824 •FH

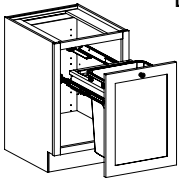
- One 35 quart capacity basket
- Gray basket(s)
- Basket(s) rest in a natural maple plywood frame
- Basket(s) are easily removable for emptying or cleaning
- Door is attached to roll-out unit
- Frame slides on full extension glides
- Includes 3 1/2" deep bag storage tray at rear.
- Optional Wastebasket Lid (WBL) available for 35 and 50 quart wastebaskets



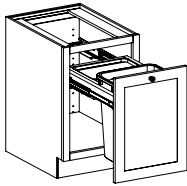
DWBT15 18"-21" D



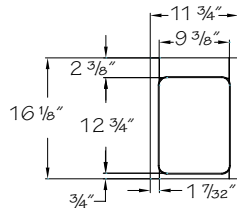
DWBT1524



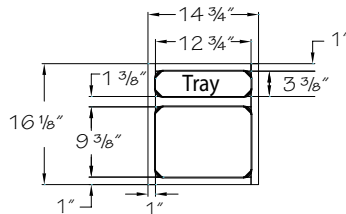
DWBT18 18"-21" D



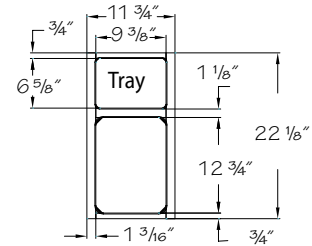
DWBT1824



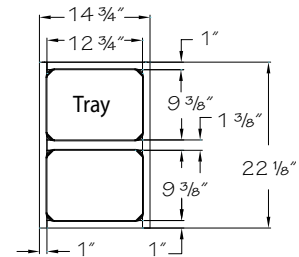
DWBT15 18"-21" D



DWBT18 18"-21" D



DWBT1524



DWBT1824



- ☆ PE
- APC
- APFC
- FPFB
- GD
- IF
- MI
- RD
- RTK
- RTKP
- TWR
- VTK
- WR
- XS

Desk Knee Drawer Cabinet

(price book pg. H8)

18" Deep

DKD2118

DKD2418

DKD2718

DKD3018

DKD3318

▲ **DKD3618 •2D**

21" Deep

DKD21

DKD24

DKD27

DKD30

DKD33

▲ **DKD36 •2D**

24" Deep

DKD2124

DKD2424

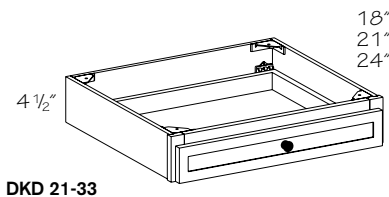
DKD2724

DKD3024

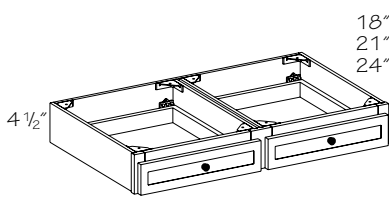
DKD3324

▲ **DKD3624 •2D**

▲ Two drawers side by side



DKD 21-33



DKD 36

- Unit is designed for use between two base, desk or tall cabinets
- When mounted at 29" height with a 1 1/2" countertop, unit provides a comfortable writing surface
- One end of DKD can be supported by optional Desk End Panel (DEP)
- Slab drawer front in all door styles except Bedford, Fairport, Huntington, Lyndale and Mandalay
- If DRPD option is selected, the drawer front will be 3/4" slab with matching door profile for Bridgewater, Bridgewater Cathedral, Brookfield Birch, Cherry, Hickory, Maple and Oak
- **Not** trimmable
- ☆ End panels are 1/2" plywood with natural birch viraguard interior and exterior



Consider using a Cabinet Front Only (CFO) under a desk to cover up wires, outlets etc. This will decorate the area, plus give easy access to cords. Especially useful if you are placing a CPU in a cabinet next to your knee space.



- PE
- APC
- APFC
- FPFB
- GD
- IF
- MI
- RD
- RTK
- RTKP
- TWR
- VTK
- WR
- XS

Computer Keyboard Drawer Cabinet

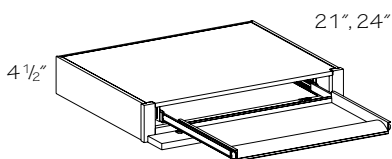
(price book pg. H8)

21" Deep

KBD27

24" Deep

KBD2724



- Pull-out keyboard tray
- Tilt down drawer front
- Adjustable wrist rest
- Unit is designed for use between two base, desk or tall cabinets
- When mounted at 29" height with a 1 1/2" countertop, unit provides a comfortable writing surface
- If unit is installed at an angle, fillers should be used to avoid interference with adjacent cabinet
- One end of KBD can be supported by optional desk end panel DEP
- Slab drawer front in all door styles; DRPD **not** available
- Keyboard tray mechanism shipped separately
- **Not** trimmable



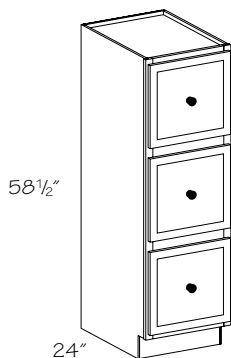
- PE
- APC
- APFC
- FPFB
- GD
- IF
- MI
- ☆ RD
- RTK
- RTKP
- TWR
- VTK
- WR
- XS

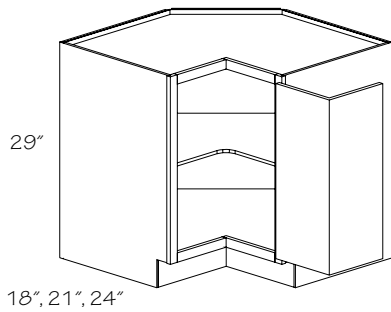
Tall File Cabinet 24" Deep

(price book pg. H10)

TFD182458

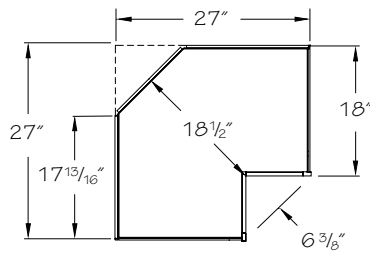
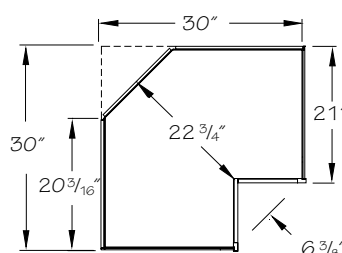
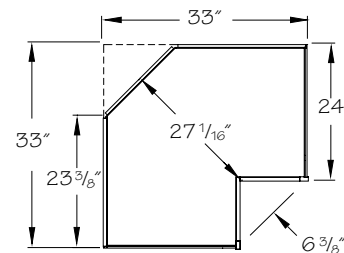
- Three file drawers
- Designed to accept standard hanging file system
- Hanging file folders **not** included
- **Note:** This cabinet is constructed with a standard ceiling panel; a finished top is recommended
- ☆ Minimum Reduced Depth (RD) is 18"



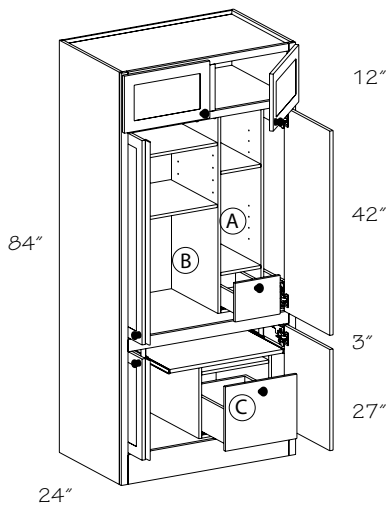
Desk Easy Reach*(price book pg. H10)***DEZR2718 R or L****DEZR3021 R or L****DEZR3324 R or L**

- Doors are profiled on one long and two short edges and are connected with hinges
- Angled back provides clearance for installation
- One adjustable shelf
- Greenwich, Harlowe, Smithton and Vanderbilt doors will have a solid, recessed flat panel. Courtney doors will have a veneer, recessed flat panel.
- Contrasting Back Options (CBEB, CPLB, CVGR) **not** available

●	PE
●	APC
●	APFC
●	FPEB
	GD
	IF
●	MI
	RD
●	RTK
	RTKP
	TWR
●	VTK
●	WR
●	XS

**DEZR2718****DEZR3021****DEZR3324****Computer Office Tower***(price book pg. H10)***COT392484**

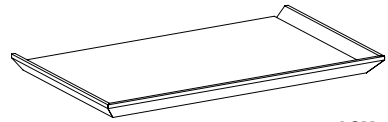
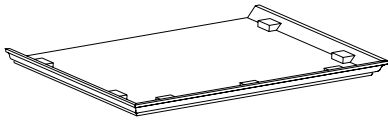
- Available in full overlay door styles only
- Quartersawn oak door styles have 3/4" quartersawn plywood end panel construction
- Keyboard tray and interior drawer fronts are edgebanded, matching 2-sided plywood veneer
- Includes two sets of pocket doors with precision ball bearing slide mechanism attached
- Adjustable suspension
- Center doors are supplied square in all door styles
- Black nylon coated cable ensures smooth, quiet operation
- A is 9" wide, 19 1/2" high, 18" deep with cord cutout designed for tower-type computer processor (CPU). One adjustable shelf (**not** shown).
- B is 20 1/2" wide, 21" deep, 21 5/8" high (with adjustable shelf at lowest position shown) designed for monitor. Cord cutouts at floor.
- C file drawer is designed to accept standard hanging file system. Hanging file folders **not** included. Shelf above drawer holds 1 ream of paper.
- **Not** available in laminate door styles
- ☆ Glass doors available for top doors only
- ☆ Supplied with standard Wide Rail (WR); see Construction Options section of this book for optional WR treatments



●	PE
●	APC
●	APFC
❖	FPEB
☆	GD
	IF
❖	MI
	RD
	RTK
	RTKP
	TWR
●	VTK
☆	WR
	XS

Computer Office Tower Top Plate

(price book pg. H10)



•ACM

COTTP3924 -ACM

COTTP3924 -CCM

COTTP3924 CCM-DE

COTTP3924 CCM-OG

COTTP3924 CCM-RM

COTTP3924 CCM-SB

COTTP3924 CCM-TB

COTTP3924 -CM

- Available in full overlay door styles only
- **Not** available in laminate door styles
- Decorative top plate for the Computer Office Tower
- 5/8" thick with wood veneer both sides and trimmed with choice of Angle Crown Molding, Crown Molding, Classic Crown Molding or Classic Crown combined with Rope, Dentil, Triple Bead, Single Bead or Ogee Molding

PE
● APC
APFC
FPEB
GD
IF
MI
RD
RTK
RTKP
TWR
VTK
WR
XS