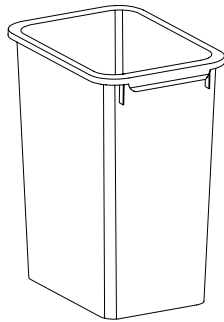


- PE - - - Plywood Ends
- APC - - All Plywood Construction
- APFC - - All Plywood Furniture Construction
- FPEB - - Furniture Plywood Ends
- RD - - - Reduced Depth
- RTK - - Recessed Toe Kick
- RTKP - - Recessed Toe Kick Peninsula
- VTK - - Void Toe Kick
- WR - - - Wide Bottom Rail

RDFC	3	27
code	width	depth



Replacement Wastebasket

(price book pg. H12)

RWB35 35 quart

- Gray basket(s)
- Field installation only
- Optional Wastebasket Lid (WBL) available for 35 and 50 quart wastebaskets

PE
APC
APFC
FPEB
RD
RTK
RTKP
VTK
WR

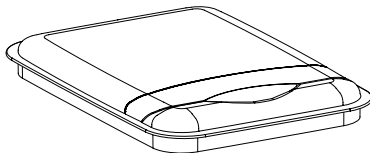
Wastebasket Lid

(price book pg. E78, H12)

Fits 35 quart wastebaskets

WBL35-G Gray

- Lid flips open manually
- Lid holds can liner in place



PE
APC
APFC
FPEB
RD
RTK
RTKP
VTK
WR

Knee Drawer Divider or Kit

(price book pg. H12)

Installed

DKD36•2D

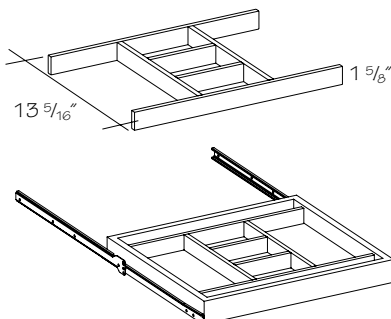
- * **KDD18**
- * **KDD21**
- * **KDD24**
- * **KDD27**
- * **KDD30**

Kit Section width

- * **KDDK18** 3 7/8"
- * **KDDK21** 4 7/8"
- * **KDDK24** 5 7/8"
- * **KDDK27** 6 7/8"
- * **KDDK30** 7 7/8"

* For one side of

- Fits DKD drawers only
- 1/2" thick solid wood dividers are 1 1/2" high
- Each long section is approximately 12 1/2" deep
- All units are 13 5/16" deep
- Example: Installation in both drawers of DKD36•2D use DKD36•2D-KDD18-KDD18



PE
APC
APFC
FPEB
RD
RTK
RTKP
VTK
WR



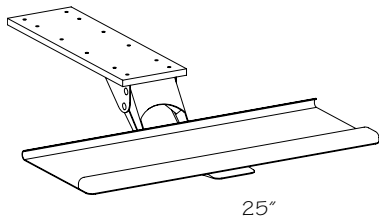
- PE
- APC
- APFC
- FPEB
- RD
- RTK
- RTKP
- VTK
- WR

Floating Keyboard Tray Kit

(price book pg. H12)

FKBDK

- Kit designed to mount to underside of countertop
- Slim profile platform with non-skid pads
- Height and angle adjustments
- Full-width gel pad wrist support
- Field installation only



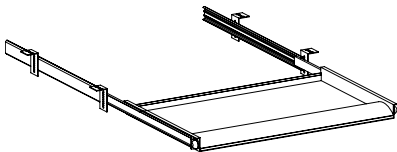
25"

Computer Keyboard Drawer Kit

(price book pg. H12)

KBDK

- Kit designed to mount to underside of countertop
- Minimum 24" clear width and 21" clear depth required for installation
- Adjustable wrist rest
- If unit is installed at an angle, fillers should be used to avoid interference with adjacent cabinet
- Field installation only



- PE
- APC
- APFC
- FPEB
- RD
- RTK
- RTKP
- VTK
- WR

Desk Filler

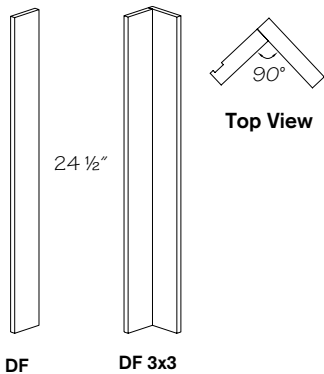
(price book pg. H12)

DF3

DF6

DF3X3

- 3/4" solid wood
- Quartersawn door styles will be supplied in plain sawn wood
- Laminates are painted hardwood
- No toe kick



DF

DF 3x3

Top View

- PE
- APC
- APFC
- FPEB
- RD
- RTK
- RTKP
- VTK
- WR

Desk Filler Overlay

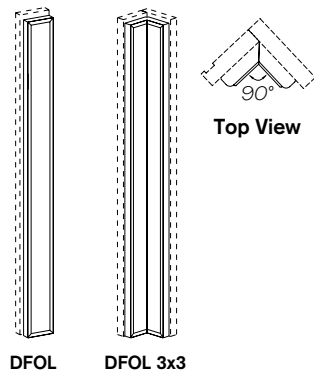
(price book pg. H12)

DFOL3

DFOL6

DFOL3X3

- Available in full overlay door styles only
- Filler overlay has routed door profile and is solid wood or laminate
- Quartersawn oak door styles are 3/4" quartersawn solid wood with matching door profile on all sides. Quartersawn cherry and maple door styles are quartersawn wood veneer.
- Filler ordered separately



DFOL

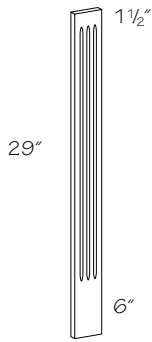
DFOL 3x3

Top View

- PE
- APC
- APFC
- FPEB
- RD
- RTK
- RTKP
- VTK
- WR

Desk Fluted Filler*(price book pg. H12)***DFF3****DFF6**

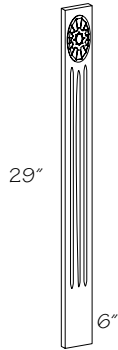
- 3/4" solid wood
- Laminates are painted hardwood
- **Not** available in Morristown; Brockton, Melrose and Putnam Oak supplied plain sawn



PE
APC
APFC
FPEB
RD
RTK
RTKP
VTK
WR

Rosette Desk Fluted Filler*(price book pg. H12)***RDFF3**

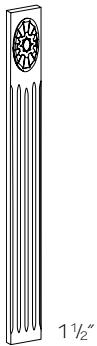
- 3/4" solid wood
- Applied decorative rosette
- Laminates are painted hardwood
- **Not** available in Morristown; Brockton, Melrose and Putnam Oak supplied plain sawn



PE
APC
APFC
FPEB
RD
RTK
RTKP
VTK
WR

Rosette Fluted Desk Filler Overlay*(price book pg. H12)***RFDFOL3**

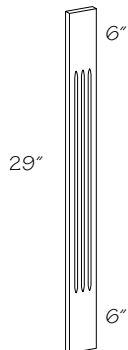
- 3/4" solid wood
- Applied decorative rosette
- Laminates are painted hardwood
- **Not** available in Morristown; Brockton, Melrose and Putnam Oak supplied plain sawn



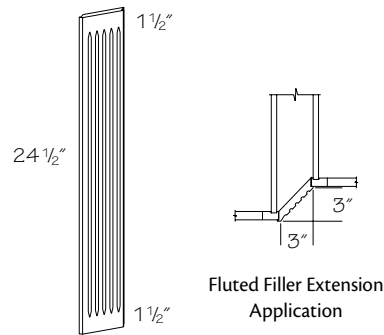
PE
APC
APFC
FPEB
RD
RTK
RTKP
VTK
WR

Plain Capital Desk Fluted Filler*(price book pg. H12)***PCDFF3****PCDFF6**

- 3/4" solid wood
- Laminates are painted hardwood
- **Not** available in Morristown; Brockton, Melrose and Putnam Oak supplied plain sawn



PE
APC
APFC
FPEB
RD
RTK
RTKP
VTK
WR



Fluted Filler Extension

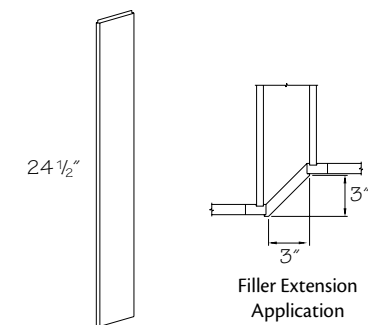
Fluted Filler Extension

(price book pg. H12)

FFE3-25

- 3/4" solid wood
- Laminates are painted hardwood
- **Not** available in Morristown; Brockton, Melrose and Putnam Oak supplied plain sawn

PE
APC
APFC
FPEB
RD
RTK
RTKP
VTK
WR



Filler Extension

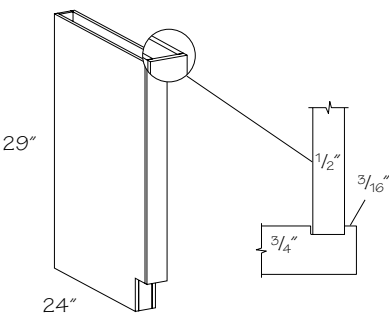
Filler Extension

(price book pg. H12)

FE3-25

- 3/4" solid wood
- Laminates are painted hardwood
- Quartersawn door styles will be supplied in plain sawn wood

PE
APC
APFC
FPEB
RD
RTK
RTKP
VTK
WR



24"

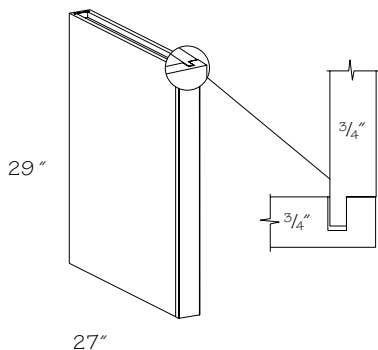
Desk Box

(price book pg. H12)

DB3

- Finished front and both sides
- Quartersawn door styles will be supplied in plain sawn wood
- Reversible, may be used on either right or left end
- ☆ RTKPB, RTKPL, RTKPR **not** available

● PE
● APC
● APFC
● FPEB
● RD
RTK
☆ RTKP
● VTK
● WR



27"

Desk Column

(price book pg. H12)

DC327

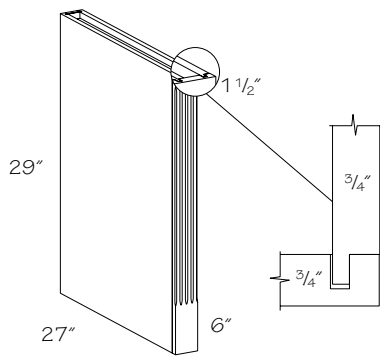
DC627

- Front is 3/4" solid wood
- Quartersawn oak door styles have 3/4" solid quartersawn wood front and quartersawn wood veneer end panels
- Quartersawn cherry and maple door styles have 3/4" solid plain sawn wood front and plain sawn wood veneer end panels
- Finished front and both sides
- Reversible, may be installed left or right
- ☆ APFC standard when APC option is selected

PE
● APC
☆ APFC
◇ FPEB
● RD
RTK
RTKP
VTK
◇ WR

Desk Fluted Column*(price book pg. H12)***DFC327**

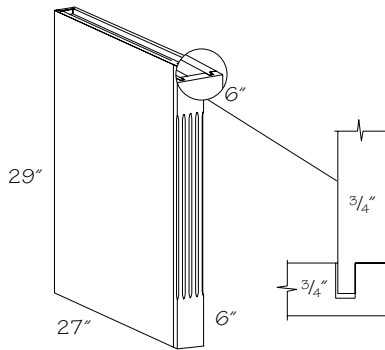
- Fluted front is 3/4" solid wood; plain sawn wood supplied for quartersawn door styles
- Finished front and both sides
- Quartersawn oak door styles have quartersawn wood veneer end panels. Quartersawn cherry and maple door styles plain sawn end panels.
- Reversible, may be used on either right or left end
- **Not** available in Morristown
- ☆ APFC standard when APC option is selected



PE
● APC
☆ APFC
❖ FPEB
● RD
RTK
RTKP
VTK
❖ WR

Plain Capital Desk Fluted Column*(price book pg. H12)***PCDFC327**

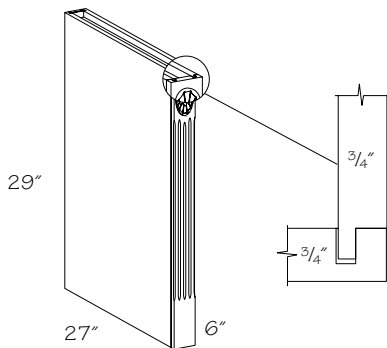
- Fluted front is 3/4" solid wood; plain sawn wood supplied for quartersawn door styles
- Finished front and both sides
- Quartersawn oak door styles have quartersawn wood veneer end panels. Quartersawn cherry and maple door styles plain sawn end panels.
- Reversible, may be used on either right or left end
- **Not** available in Morristown
- ☆ APFC standard when APC option is selected



PE
● APC
☆ APFC
❖ FPEB
● RD
RTK
RTKP
VTK
❖ WR

Rosette Desk Fluted Column*(price book pg. H12)***RDFC327**

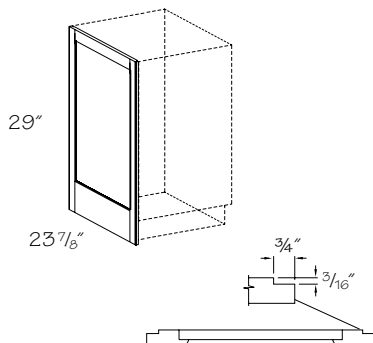
- Fluted front is 3/4" solid wood; plain sawn wood supplied for quartersawn door styles
- Applied decorative rosette
- Finished front and both sides
- Quartersawn oak door styles have quartersawn wood veneer end panels. Quartersawn cherry and maple door styles plain sawn end panels.
- Reversible, may be used on either right or left end
- Laminates are painted hardwood
- **Not** available in Morristown; Brockton, Melrose and Putnam Oak supplied plain sawn
- ☆ APFC standard when APC option is selected



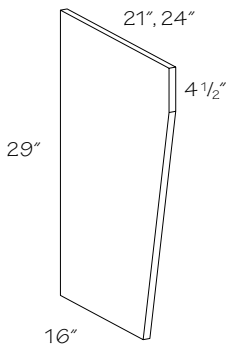
PE
● APC
☆ APFC
❖ FPEB
● RD
RTK
RTKP
VTK
❖ WR

Universal Desk End Panel*(price book pg. H12)***UDEP**

- 3/4" thick frame with square recessed panel
- Field installation only
- Reversible, may be used on either right or left end
- **Not** available in laminate door styles
- **Not** available in Morristown; Brockton, Melrose and Putnam Oak supplied plain sawn
- ☆ Wide Bottom Rail—field notch for toe kick



PE
APC
APFC
FPEB
RD
RTK
RTKP
VTK
☆ WR



Desk End Panel

(price book pg. H12)

Viraguard

VDEP2129

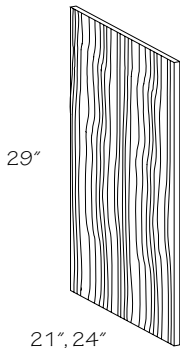
VDEP2429

Wood Veneer

- ❖ **WDEP2129**
- ❖ **WDEP2429**
- ❖ Laminates are painted hardwood

- Viraguard panel is 3/4" thick
- Wood veneer panel is 7/8" thick
- Unit designed to support one end of Desk Knee Drawer (DKD)
- Finished front and both sides
- **Not** available in Morristown; Brockton, Melrose and Putnam Oak supplied plain sawn
- ☆ APC panel only available in wood veneer
- ☆ APC panel is 11/16" thick

PE
☆ APC
APFC
FPEB
RD
RTK
RTKP
VTK
WR



Square Desk End Panel

(price book pg. H13)

Viraguard

■ **VDEP21 •S** 21 x 29 x 3/4"

■ **VDEP24 •S** 24 x 29 x 3/4"

Wood Veneer

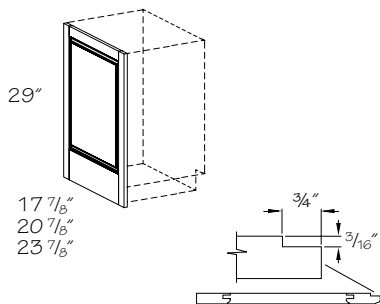
▲❖ **WDEP21 •S** 21 x 29 x 7/8"

▲❖ **WDEP24 •S** 24 x 29 x 7/8"

- **Not** available in Morristown; Brockton, Melrose and Putnam Oak supplied plain sawn
- ❖ Laminates are painted hardwood
- ▲ Quartersawn cherry and maple door styles supplied in plain sawn

- Edgebanded one long edge
- Finished to match exterior both sides
- ☆ APC panel only available in wood veneer
- ☆ APC panel is 11/16" thick

PE
☆ APC
APFC
FPEB
RD
RTK
RTKP
VTK
WR



Standard edge detail—fits flush against 1/2" end panel and behind face frame

Matching Desk End Panel

(price book pg. H14)

MDEP18 R or L

MDEP21 R or L

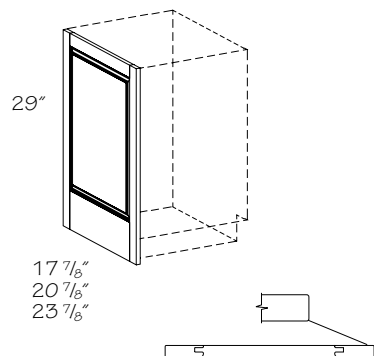
MDEP24 R or L



When designing with Matching End Panels the reveal will differ from the cabinet door height reveal. Matching End Panels cover the entire side of the cabinet. See drawing for exact measurements.

- 3/4" thick panel with matching door edge profile on front edge only
- Left shown
- Field installation only
- Laminate and slab door styles do **not** have grooves and will **not** fit flush against 1/2" end panel. A 3/16" shim is recommended.
- **Not** available in Morristown; Brockton, Melrose and Putnam Oak supplied plain sawn
- **Not** available in mitered door styles; use End Panel-Mitered
- ☆ Wide Bottom Rail—field notch for toe kick

PE
APC
APFC
FPEB
RD
RTK
RTKP
VTK
☆ WR



Matching Desk End Panel—Square Edges

(price book pg. H14)

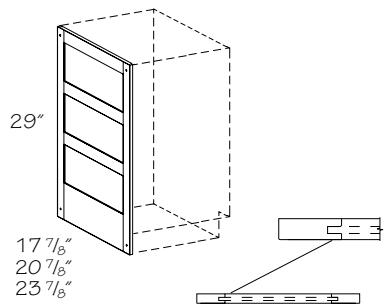
MDEP18 S

MDEP21 S

MDEP24 S

- 3/4" thick panel with square edge front and back
- Field installation only
- Reversible, may be installed left or right
- **Not** available in laminate door styles
- **Not** available in mitered door styles; use End Panel-Mitered
- **Not** available in Morristown; Brockton, Melrose and Putnam Oak supplied plain sawn
- ☆ Wide Bottom Rail—field notch for toe kick

PE
APC
APFC
FPEB
RD
RTK
RTKP
VTK
☆ WR



will not fit flush against 1/2" end panel,
a 3/16" shim is recommended

Recessed Matching Desk End Panel

(price book pg. H14)

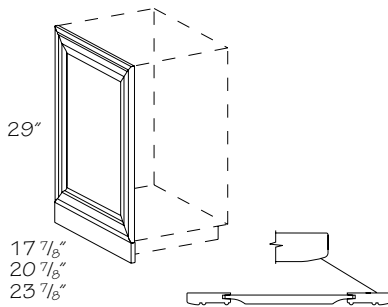
RMDEP18 -M

RMDEP21 -M

RMDEP24 -M

- Quartersawn solid wood
- 3/4" thick
- Recessed panel grain runs horizontally
- Field installation only
- Reversible, may be installed left or right
- Available in Morristown door style only
- ☆ Wide Bottom Rail—field notch for toe kick

PE
APC
APFC
FPEB
RD
RTK
RTKP
VTK
☆ WR



Will not fit flush against 1/2" end panel,
a 3/16" shim is recommended

Matching Desk End Panel-Mitered

(price book pg. H14)

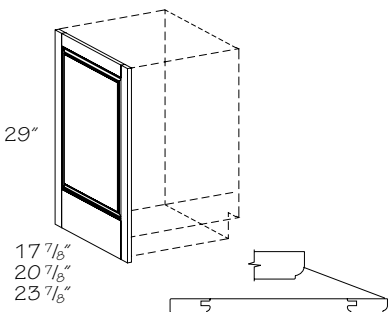
M-MDEP18

M-MDEP21

M-MDEP24

- 3/4" thick panel with matching door edge profile on four sides
- Reversible, may be used on either right or left end
- Available in mitered door styles only
- Field installation only
- Toe kick shipped unattached
- ☆ Wide Bottom Rail—field notch for toe kick

PE
APC
APFC
FPEB
RD
RTK
RTKP
VTK
☆ WR



Will not fit flush against 1/2" end panel,
a 3/16" shim is recommended

Furniture Matching Desk End Panel

(price book pg. H14)

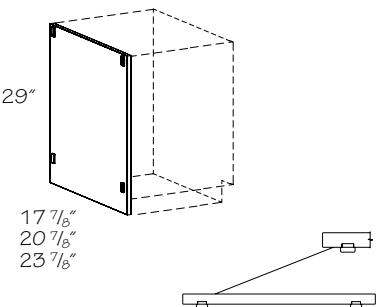
FMDEP18 R or L

FMDEP21 R or L

FMDEP24 R or L

- 3/4" thick panel with matching door edge profile on front edge only
- Left shown
- Field installation only
- For use with Furniture Plywood Ends (FPEB)—flush ends
- **Not** available in mitered door styles; use End Panel-Mitered
- **Not** available in Morristown; Melrose and Brockton are plain sawn wood
- ☆ Wide Bottom Rail—field notch for toe kick

PE
APC
APFC
FPEB
RD
RTK
RTKP
VTK
☆ WR



will not fit flush against 1/2" end panel,
a 3/16" shim is recommended

Slab Matching Desk End Panel

(price book pg. H14)

SMDEP18 -M

SMDEP21 -M

SMDEP24 -M

- 3/4" thick
- Quartersawn solid wood
- Field installation only
- Reversible, may be installed left or right
- Available in Morristown door style only
- ☆ Wide Bottom Rail—field notch for toe kick

PE
APC
APFC
FPEB
RD
RTK
RTKP
VTK
☆ WR