

Entertainment Cabinets

Construction Options and Modifications

- APC -- All Plywood Construction
- APFC -- All Plywood Furniture Construction
- GD --- Glass Doors
- MI --- Matching Interior
- WR --- Wide Bottom Rail
- XS --- Extended Stile

Look for the Harmony® storage solutions symbol

Note: unless noted, all Furniture Cabinets are manufactured in 3/4" Furniture Plywood Ends with matching wood veneer or Viraguard interiors. Due to toe kicks shipping separately on 96" high units, 96" furniture cabinets will be manufactured with 1/2" plywood end panels so the ends can be skinned to hide the seam. Skins must be ordered separately.

ECCU	39	27	84
code	width	depth	height

Material dimensions may be nominal based on lumber industry standards.

Specifications subject to change without notice.

Entertainment Cabinet Center Unit w/Pocket Doors

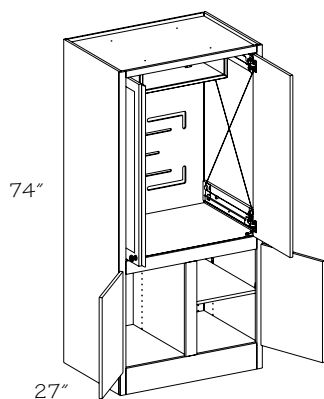
(price book pg. 12)

ECCU392774 •PPD

- Interior opening: 32" W x 25 3/4" D x 36 3/16" H

ECCU452774 •PPD

- Interior opening: 38" W x 25 3/4" D x 36 3/16" H



- Floor, ceiling, shelves and back are plywood
- Floor in upper section is flush with face frame
- Includes two doors with precision ball bearing slide mechanism attached
- Black nylon coated cable ensures smooth, quiet operation
- Adjustable suspension
- Replacement shelf available; specify ECCUS39 or ECCUS45
- Available in full overlay door styles only
- Factory installed Roll-out Trays available on left side only (ROT, DROT, ROTSK, HBROT, ROTDK only). For field installed Roll-out Trays, use ROT19 or ROT22.
- **Not** available in Morristown; Melrose and Brockton are plain sawn wood
- **Not** available in laminate door styles
- Contrasting Back Options (CBEB, CPLB, CVGR) **not** available
- ☆ Glass options **not** available on pocket doors
- ☆ This cabinet supplied with standard WR (Wide Rail). See Construction Options section of this book for optional WR treatments.



Entertainment Cabinet Center Unit Mission w/Pocket Doors

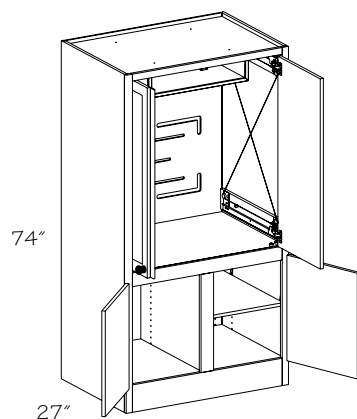
(price book pg. 12)

ECCU392774 •PPD-M

- Interior opening: 32" W x 25 3/4" D x 36 3/16" H

ECCU452774 •PPD-M

- Interior opening: 38" W x 25 3/4" D x 36 3/16" H



- 3/4" quartersawn plywood end panel construction
- Floor, ceiling, shelves and back are plywood
- Floor in upper section is flush with face frame
- Includes two doors with precision ball bearing slide mechanism attached
- Black nylon coated cable ensures smooth, quiet operation
- Adjustable suspension
- Replacement shelf available; specify ECCUS39 or ECCUS45
- Available in quartersawn oak door styles only
- Factory installed Roll-out Trays available on left side only (ROT, DROT, ROTSK, HBROT, ROTDK only). For field installed Roll-out Trays, use ROT19 or ROT22.
- Contrasting Back Options (CBEB, CPLB, CVGR) **not** available
- ☆ Glass options **not** available on pocket doors
- ☆ This cabinet supplied with standard WR (Wide Rail). See Construction Options section of this book for optional WR treatments.

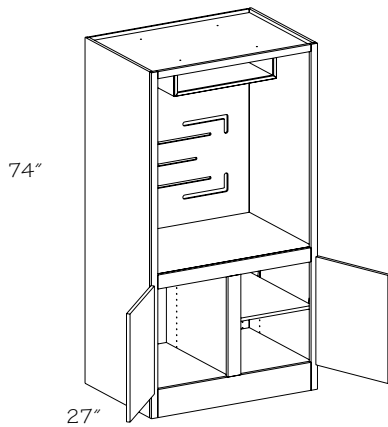


Entertainment Cabinet Center Unit*(price book pg. 12)***ECCU392774**

- Interior opening: 36" W x 25 3/4" D x 36 3/16" H

ECCU452774

- Interior opening: 42" W x 25 3/4" D x 36 3/16" H



- Floor, ceiling, shelves and back are plywood
 - Floor in upper section is flush with face frame
 - No pocket doors
 - Replacement shelf available; specify ECCUS39 or ECCU45
 - Available in full overlay door styles only
 - Factory installed Roll-out Trays available on left side only (ROT, DROT, ROTSK, HBROT, ROTDK only). For field installed Roll-out Trays, use ROT19 or ROT22.
 - **Not** available in laminate door styles
 - **Not** available in Morristown; Melrose and Brockton are plain sawn wood
 - Contrasting Back Options (CBEB, CPLB, CVGR) **not** available
- ☆ This cabinet supplied with standard WR (Wide Rail). See Construction Options section of this book for optional WR treatments.

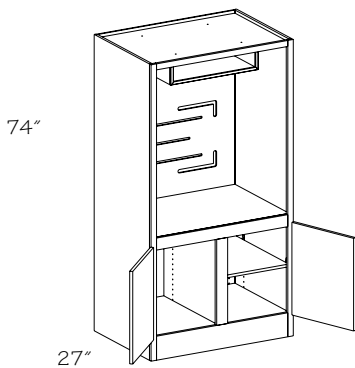
●	APC
◆	APFC
●	GD
◆	MI
☆	WR
●	XS

Entertainment Cabinet Center Unit Mission*(price book pg. 14)***ECCU392774 -M**

- Interior opening: 36" W x 25 3/4" D x 36 3/16" H

ECCU452774 -M

- Interior opening: 42" W x 25 3/4" D x 36 3/16" H



- 3/4" quartersawn plywood end panel construction
 - Floor, ceiling, shelves and back are plywood
 - Floor in upper section is flush with face frame
 - No pocket doors
 - Replacement shelf available; specify ECCUS39 or ECCU45
 - Available in quartersawn oak door styles only
 - Factory installed Roll-out Trays available on left side only (ROT, DROT, ROTSK, HBROT, ROTDK only). For field installed Roll-out Trays, use ROT19 or ROT22.
 - Contrasting Back Options (CBEB, CPLB, CVGR) **not** available
- ☆ This cabinet supplied with standard WR (Wide Rail). See Construction Options section of this book for optional WR treatments.

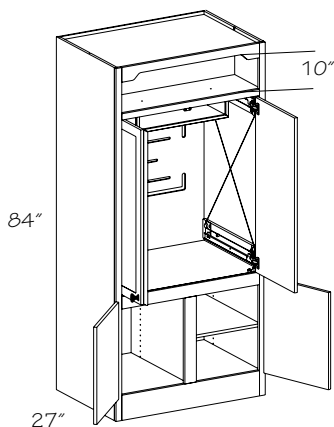
●	APC
◆	APFC
●	GD
◆	MI
☆	WR
●	XS

Entertainment Cabinet Center Unit-84" H w/Pocket Doors*(price book pg. 14)***ECCU392784 -PPD**

- Interior opening: 32" W x 25 3/4" D x 36 3/16" H

ECCU452784 -PPD

- Interior opening: 38" W x 25 3/4" D x 36 3/16" H



- Floor, ceiling, shelves and back are plywood
 - Floor in center section is flush with face frame
 - Depth of top section is 12 5/8" from front of face frame
 - Includes two doors with precision ball bearing slide mechanism attached
 - Black nylon coated cable ensures smooth, quiet operation
 - Adjustable suspension
 - Replacement shelf available; specify ECCUS39 or ECCU45
 - Available in full overlay door styles only
 - See Construction Options section of this book for Valance options
 - Factory installed Roll-out Trays available on left side only (ROT, DROT, ROTSK, HBROT, ROTDK only). For field installed Roll-out Trays, use ROT19 or ROT22.
 - **Not** available in laminate door styles
 - **Not** available in Morristown; Melrose and Brockton are plain sawn wood
 - Contrasting Back Options (CBEB, CPLB, CVGR) **not** available
- ☆ Glass options **not** available on pocket doors
- ☆ This cabinet supplied with standard WR (Wide Rail). See Construction Options section of this book for optional WR treatments.

●	APC
◆	APFC
☆	GD
◆	MI
☆	WR
●	XS

Entertainment Cabinet Center Unit Mission-84" H w/Pocket Doors

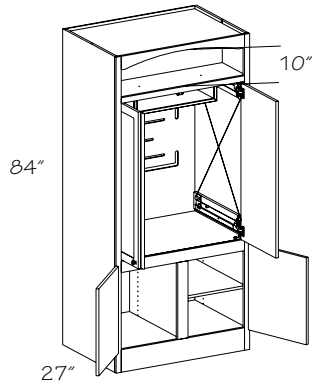
(price book pg. 14)

ECCU392784 -PPD-M

- Interior opening: 32" W x 25 3/4" D x 36 3/16" H

ECCU452784 -PPD-M

- Interior opening: 38" W x 25 3/4" D x 36 3/16" H



- 3/4" quartersawn plywood end panel construction
- Floor, ceiling, shelves and back are plywood
- Floor in center section is flush with face frame
- Depth of top section is 12 5/8" from front of face frame
- Includes two doors with precision ball bearing slide mechanism attached
- Black nylon coated cable ensures smooth, quiet operation
- Adjustable suspension
- Replacement shelf available; specify ECCUS39 or ECCUS45
- Available in quartersawn oak door styles only
- Factory installed Roll-out Trays available on left side only (ROT, DROT, ROTSK, HBROT, ROTDK only). For field installed Roll-out Trays, use ROT19 or ROT22.
- Contrasting Back Options (CBEB, CPLB, CVGR) **not** available
- ☆ This cabinet supplied with standard WR (Wide Rail). See Construction Options section of this book for optional WR treatments.
- ☆ Glass options **not** available on pocket doors



Entertainment Cabinet Center Unit-84" H

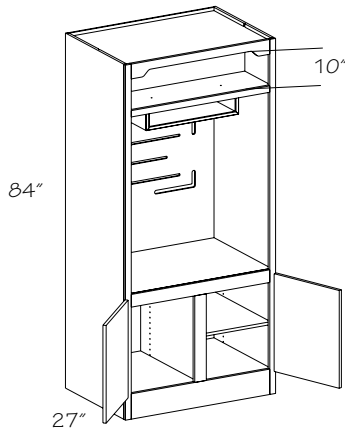
(price book pg. 16)

ECCU392784

- Interior opening: 36" W x 25 3/4" D x 36 3/16" H

ECCU452784

- Interior opening: 42" W x 25 3/4" D x 36 3/16" H



- Floor, ceiling, shelves and back are plywood
- Floor in center section is flush with face frame
- Depth of top section is 12 5/8" from front of face frame
- No pocket doors
- Replacement shelf available; specify ECCUS39 or ECCUS45
- Available in full overlay door styles only
- See Construction Options section of this book for Valance options
- Factory installed Roll-out Trays available on left side only (ROT, DROT, ROTSK, HBROT, ROTDK only). For field installed Roll-out Trays, use ROT19 or ROT22.
- **Not** available in laminate door styles
- **Not** available in Morristown; Melrose and Brockton are plain sawn wood
- Contrasting Back Options (CBEB, CPLB, CVGR) **not** available
- ☆ This cabinet supplied with standard WR (Wide Rail). See Construction Options section of this book for optional WR treatments.



Entertainment Cabinet Center Unit Mission-84" H

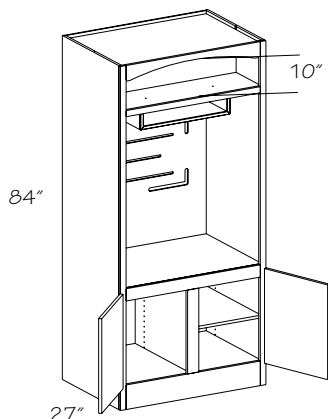
(price book pg. 16)

ECCU392784 -M

- Interior opening: 36" W x 25 3/4" D x 36 3/16" H

ECCU452784 -M

- Interior opening: 42" W x 25 3/4" D x 36 3/16" H

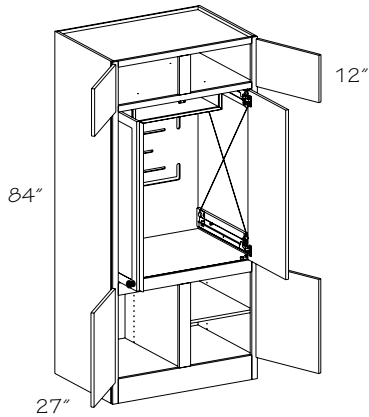


- 3/4" quartersawn plywood end panel construction
- Floor, ceiling, shelves and back are plywood
- Floor in center section is flush with face frame
- Depth of top section is 12 5/8" from front of face frame
- No pocket doors
- Replacement shelf available; specify ECCUS39 or ECCUS45
- Available in quartersawn oak door styles only
- Factory installed Roll-out Trays available on left side only (ROT, DROT, ROTSK, HBROT, ROTDK only). For field installed Roll-out Trays, use ROT19 or ROT22.
- Contrasting Back Options (CBEB, CPLB, CVGR) **not** available
- ☆ This cabinet supplied with standard WR (Wide Rail). See Construction Options section of this book for optional WR treatments.



Entertainment Cabinet Center Unit—84" H w/Pocket Doors and Top Doors*(price book pg. 16)***ECCUT392784 •PPD**

- Interior opening: 32" W x 25 3/4" D x 36 3/16" H



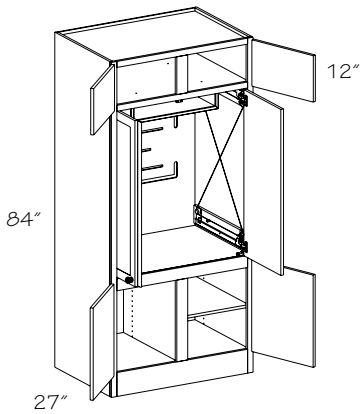
- Floor, ceiling, shelves and back are plywood
- Floor in center section is flush with face frame
- Center doors are supplied square in all door styles
- Includes two doors with precision ball bearing slide mechanism attached
- Black nylon coated cable ensures smooth, quiet operation
- Adjustable suspension
- Replacement shelf available; specify ECCUS39
- Available in full overlay door styles only
- Factory installed Roll-out Trays available on left side only (ROT, DROT, ROTSK, HBROT, ROTDK only). For field installed Roll-out Trays, use ROT19.
- **Not** available in laminate door styles
- **Not** available in Morristown; Melrose and Brockton are plain sawn wood
- Contrasting Back Options (CBEB, CPLB, CVGR) **not** available
- ☆ Glass options **not** available on pocket doors
- ☆ This cabinet supplied with standard WR (Wide Rail). See Construction Options section of this book for optional WR treatments.



APC
❖ APFC
☆ GD
❖ MI
☆ WR
● XS

Entertainment Cabinet Center Unit Mission—84" H w/Pocket Doors and Top Doors*(price book pg. 18)***ECCUT392784 •PPD•M**

- Interior opening: 32" W x 25 3/4" D x 36 3/16" H



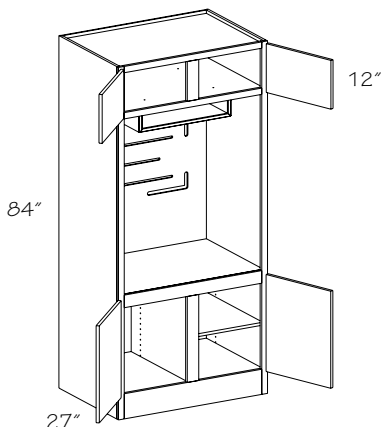
- 3/4" quartersawn plywood end panel construction
- Floor, ceiling, shelves and back are plywood
- Floor in center section is flush with face frame
- Includes two doors with precision ball bearing slide mechanism attached
- Black nylon coated cable ensures smooth, quiet operation
- Adjustable suspension
- Replacement shelf available; specify ECCUS39
- Available in quartersawn oak door styles only
- Factory installed Roll-out Trays available on left side only (ROT, DROT, ROTSK, HBROT, ROTDK only). For field installed Roll-out Trays, use ROT19.
- Contrasting Back Options (CBEB, CPLB, CVGR) **not** available
- ☆ This cabinet supplied with standard WR (Wide Rail). See Construction Options section of this book for optional WR treatments.
- ☆ Glass options **not** available on pocket doors



APC
❖ APFC
☆ GD
❖ MI
☆ WR
● XS

Entertainment Cabinet Center Unit—84" H w/Top Doors*(price book pg. 18)***ECCUT392784**

- Interior opening: 36" W x 25 3/4" D x 36 3/16" H



- Floor, ceiling, shelves and back are plywood
- Floor in center section is flush with face frame
- No pocket doors
- Replacement shelf available; specify ECCUS39
- Available in full overlay door styles only
- Factory installed Roll-out Trays available on left side only (ROT, DROT, ROTSK, HBROT, ROTDK only). For field installed Roll-out Trays, use ROT19.
- **Not** available in laminate door styles
- **Not** available in Morristown; Melrose and Brockton are plain sawn wood
- Contrasting Back Options (CBEB, CPLB, CVGR) **not** available
- ☆ This cabinet supplied with standard WR (Wide Rail). See Construction Options section of this book for optional WR treatments.

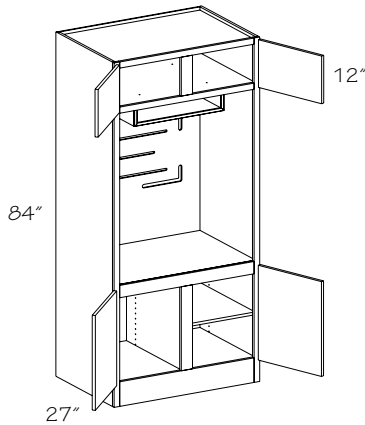


APC
❖ APFC
● GD
❖ MI
☆ WR
● XS

Entertainment Cabinet Center Unit Mission—84" H w/Top Doors

(price book pg. 18)

ECCUT392784 •M



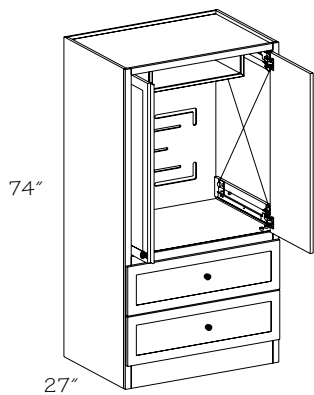
- Interior opening: 36" W x 25 3/4" D x 36 3/16" H
- 3/4" quartersawn plywood end panel construction
- Floor, ceiling, shelves and back are plywood
- Floor in center section is flush with face frame
- No pocket doors
- Replacement shelf available; specify ECCUS39
- Available in quartersawn oak door styles only
- Factory installed Roll-out Trays available on left side only (ROT, DROT, ROTSK, HBROT, ROTDK only). For field installed Roll-out Trays, use ROT19.
- Contrasting Back Options (CBEB, CPLB, CVGR) **not** available
- ☆ This cabinet supplied with standard WR (Wide Rail). See Construction Options section of this book for optional WR treatments.

●	APC
◆	APFC
●	GD
◆	MI
☆	WR
●	XS

Entertainment Cabinet Center Unit w/Pocket Doors & Drawers

(price book pg. 110)

EDCCU392774 •PPD



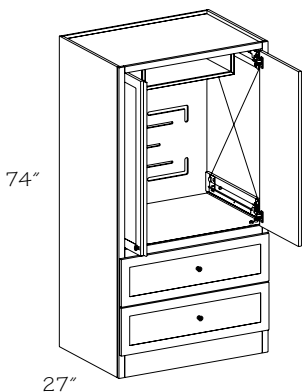
- Interior opening: 32" W x 25 3/4" D x 36 3/16" H
- Floor, ceiling, shelves and back are plywood
- Floor in upper section is flush with face frame
- Includes two doors with precision ball bearing slide mechanism attached
- Black nylon coated cable ensures smooth, quiet operation
- Adjustable suspension
- Two deep drawers
- Available in full overlay door styles only
- **Not** available in laminate door styles
- **Not** available in Morristown; Melrose and Brockton are plain sawn wood
- Contrasting Back Options (CBEB, CPLB, CVGR) **not** available
- ☆ This cabinet supplied with standard WR (Wide Rail). See Construction Options section of this book for optional WR treatments.

●	APC
◆	APFC
●	GD
◆	MI
☆	WR
●	XS

Entertainment Cabinet Center Unit Mission w/Pocket Doors & Drawers

(price book pg. 110)

EDCCU392774 •PPD•M



- Interior opening: 32" W x 25 3/4" D x 36 3/16" H
- 3/4" quartersawn plywood end panel construction
- Floor, ceiling, shelves and back are plywood
- Floor in upper section is flush with face frame
- Includes two doors with precision ball bearing slide mechanism attached
- Black nylon coated cable ensures smooth, quiet operation
- Adjustable suspension
- Two deep drawers
- Available in quartersawn oak door styles only
- Contrasting Back Options (CBEB, CPLB, CVGR) **not** available
- ☆ This cabinet supplied with standard WR (Wide Rail). See Construction Options section of this book for optional WR treatments.

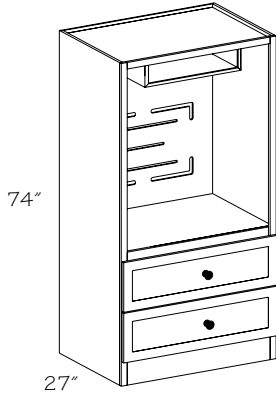
●	APC
◆	APFC
●	GD
◆	MI
☆	WR
●	XS

Entertainment Cabinet Center Unit w/Drawers

(price book pg. 110)

EDCCU392774

- Interior opening: 36" W x 25 3/4" D x 36 3/16" H



- Floor, ceiling, shelves and back are plywood
- Floor in upper section is flush with face frame
- No pocket doors
- Two deep drawers
- Available in full overlay door styles only
- **Not** available in laminate door styles
- **Not** available in Morristown; Melrose and Brockton are plain sawn wood
- Contrasting Back Options (CBEB, CPLB, CVGR) **not** available
- ☆ This cabinet supplied with standard WR (Wide Rail). See Construction Options section of this book for optional WR treatments.

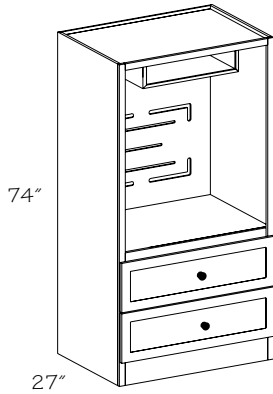
●	APC
❖	APFC
GD	GD
❖	MI
☆	WR
●	XS

Entertainment Cabinet Center Unit Mission w/Drawers

(price book pg. 112)

EDCCU392774 -M

- Interior opening: 36" W x 25 3/4" D x 36 3/16" H



- 3/4" quartersawn plywood end panel construction
- Floor, ceiling, shelves and back are plywood
- Floor in upper section is flush with face frame
- No pocket doors
- Two deep drawers
- Available in quartersawn oak door styles only
- Contrasting Back Options (CBEB, CPLB, CVGR) **not** available
- ☆ This cabinet supplied with standard WR (Wide Rail). See Construction Options section of this book for optional WR treatments.

●	APC
❖	APFC
GD	GD
❖	MI
☆	WR
●	XS

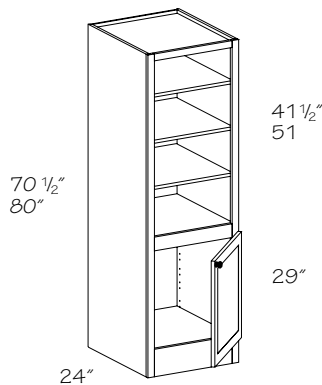
Entertainment Cabinet End Unit

(price book pg. 112)

ECEU212470 R or L

ECEU212480 R or L

- Floor, ceiling, and shelves are plywood
- Quartersawn oak door styles have 3/4" quartersawn plywood end panel construction
- Available in full overlay door styles only
- **Not** available in laminate door styles
- **Not** available in Morristown; Melrose and Brockton are plain sawn wood
- Contrasting Back Options (CBEB, CPLB, CVGR) **not** available
- **Note:** This unit is **not** supplied with doors on the upper section. Replacement doors for 70 1/2" high units (RD2142-W) are available with all glass door options.
- ☆ Glass options are **not** available on optional upper doors (RD2152-W) for 80" high units
- ☆ This cabinet supplied with standard WR (Wide Rail). See Construction Options section of this book for optional WR treatments.



●	APC
❖	APFC
☆	GD
❖	MI
☆	WR
●	XS

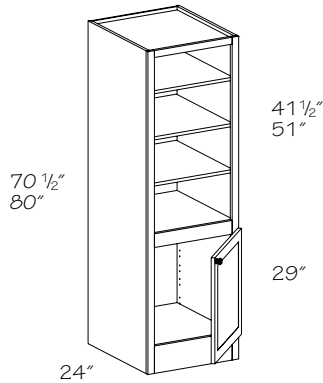
Entertainment Cabinet End Unit Mission

(price book pg. 112)

ECEU212470 R or L-M

ECEU212480 R or L-M

- 3/4" quartersawn plywood end panel construction
- Floor, ceiling, and shelves are plywood
- **Note:** This unit is **not** supplied with doors on the upper section. Replacement doors for 70 1/2" high units (RD2142-W) are available with all glass door options.
- Contrasting Back Options (CBEB, CPLB, CVGR) **not** available
- ☆ Glass options are **not** available on optional upper doors (RD2152-W) for 80" high units
- ☆ This cabinet supplied with standard WR (Wide Rail). See Construction Options section of this book for optional WR treatments.
- Available in quartersawn oak door styles only



APC
APFC
☆ GD
❖ MI
☆ WR
● XS

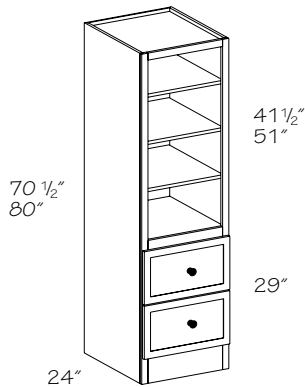
Entertainment Cabinet End Unit w/Drawers

(price book pg. 112)

ECEDU212470

ECEDU212480

- Floor, ceiling, and shelves are plywood
- Quartersawn oak door styles have 3/4" quartersawn plywood end panel construction
- Two deep drawers
- **Not** available in Morristown; Melrose and Brockton are plain sawn wood
- Available in full overlay door styles only
- **Not** available in laminate door styles
- Contrasting Back Options (CBEB, CPLB, CVGR) **not** available
- **Note:** This unit is **not** supplied with doors on the upper section. Replacement doors for 70 1/2" high units (RD2142-W) are available with all glass door options.
- ☆ Glass options are **not** available on optional upper doors (RD2152-W) for 80" high units
- ☆ This cabinet supplied with standard WR (Wide Rail). See Construction Options section of this book for optional WR treatments.



APC
❖ APFC
☆ GD
❖ MI
☆ WR
● XS

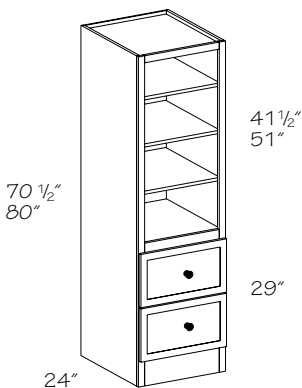
Entertainment Cabinet End Unit Mission w/Drawers

(price book pg. 114)

ECEDU212470 -M

ECEDU212480 -M

- 3/4" quartersawn plywood end panel construction
- Floor, ceiling, and shelves are plywood
- Two deep drawers
- **Note:** This unit is **not** supplied with doors on the upper section. Replacement doors for 70 1/2" high units (RD2142-W) are available with all glass door options.
- Contrasting Back Options (CBEB, CPLB, CVGR) **not** available
- ☆ Glass options are **not** available on optional upper doors (RD2152-W) for 80" high units
- ☆ This cabinet supplied with standard WR (Wide Rail). See Construction Options section of this book for optional WR treatments.
- Available in quartersawn oak door styles only



APC
APFC
☆ GD
❖ MI
☆ WR
● XS

Pocket Door Unit

(price book pg. 114)

PDU302133

- Interior opening: 21 5/8" W x 19 1/2" D x 28 13/16" H

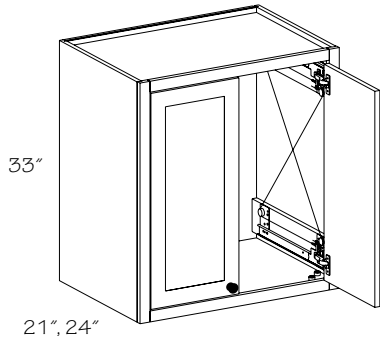
PDU302433

- Interior opening: 21 5/8" W x 21 7/8" D x 28 13/16" H

▲ PDU362433

- Interior opening: 28 5/8" W x 21 7/8" D x 28 13/16" H

- ▲ Mullion strip attached to left door



- Two doors with precision ball bearing slide mechanism attached
- Black nylon coated cable ensures smooth, quiet operation
- Adjustable suspension
- Available in full overlay door styles only
- No shelf
- **Not** intended as a wall mounted cabinet; unit must be supported by another cabinet or countertop
- Tray dividers are **not** available
- **Not** available in laminate door styles
- Contrasting Back Options (CBEB, CPLB, CVGR) **not** available

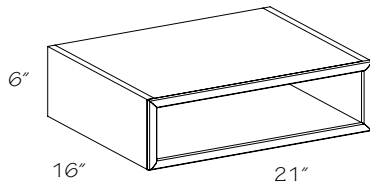
●	APC
◆	APFC
	GD
◆	MI
	WR
●	XS

Audio Visual Box

(price book pg. 114)

AVBOX

- Front edge trimmed with Single Bead Edging (SBE)
- Laminates are painted hardwood
- Field installation only
- Includes mounting hardware
- Laminates are painted hardwood
- **Not** available in Morristown; Melrose and Brockton are plain sawn wood
- Contrasting Back Options (CBEB, CPLB, CVGR) **not** available



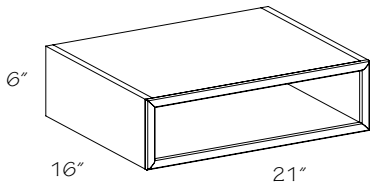
	APC
	APFC
	GD
	MI
	WR
	XS

Audio Visual Box Mission

(price book pg. 114)

AVBOX •M

- Front edge trimmed with quartersawn Mission Single Bead Edging (MSBE)
- Field installation only
- Includes mounting hardware
- Available in quartersawn oak door styles only
- Contrasting Back Options (CBEB, CPLB, CVGR) **not** available



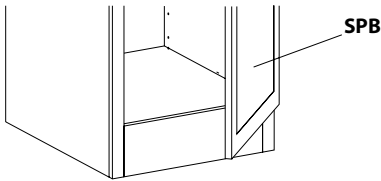
	APC
	APFC
	GD
	MI
	WR
	XS

Speaker Baffle

(price book pg. 114)

SPB

- Optional black Speaker Baffle Insert available for bottom door on end unit entertainment cabinets
- Available in full overlay door styles only
- **Not** available in laminate door styles



APC
APFC
GD
MI
WR
XS

Entertainment Cabinet Optional Top Plate–End Unit

(price book pg. 116)

Specify R or L

ECTP2124 R or L-ACM

ECTP2124 R or L-CCM

ECTP2124 R or L-CCM-DE

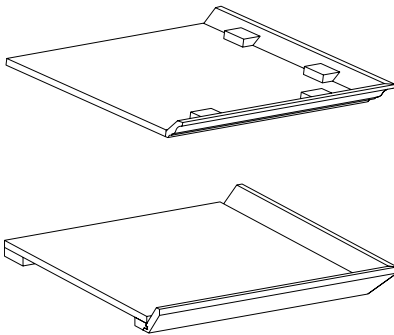
ECTP2124 R or L-CCM-OG

ECTP2124 R or L-CCM-RM

ECTP2124 R or L-CCM-SB

ECTP2124 R or L-CCM-TB

ECTP2124 R or L-CM



•ACM

- Decorative top plate for Entertainment Cabinet end units
- 5/8" thick with wood veneer both sides and trimmed with choice of Angle Crown Molding, Crown Molding, Classic Crown Molding or Classic Crown combined with Rope, Dentil, Triple Bead, Single Bead or Ogee Molding
- **Not** available in laminate door styles
- Available in full overlay door styles only

● APC
APFC
GD
MI
WR
XS

Entertainment Cabinet Optional Top Plate–Center Unit

(price book pg. 116)

ECTP3927 •ACM

ECTP4527 •ACM

ECTP3927 •CCM

ECTP4527 •CCM

ECTP3927 CCM-DE

ECTP4527 CCM-DE

ECTP3927 CCM-OG

ECTP4527 CCM-OG

ECTP3927 CCM-RM

ECTP4527 CCM-RM

ECTP3927 CCM-SB

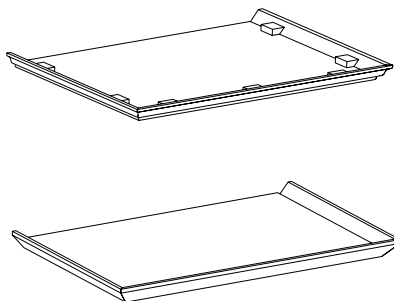
ECTP4527 CCM-SB

ECTP3927 CCM-TB

ECTP4527 CCM-TB

ECTP3927 •CM

ECTP4527 •CM



•ACM

- Decorative top plate for Entertainment Cabinet center unit
- 5/8" thick with wood veneer both sides and trimmed with choice of Angle Crown Molding, Crown Molding, Classic Crown Molding or Classic Crown combined with Rope, Dentil, Triple Bead, Single Bead or Ogee Molding
- **Not** available in laminate door styles
- Available in full overlay door styles only

● APC
APFC
GD
MI
WR
XS