

Entryway Cabinets

Construction Options and Modifications

APC -- All Plywood Construction
 APFC -- All Plywood Furniture Construction
 FPEB -- Furniture Plywood Ends
 WR -- Wide Bottom Rail

Look for the Harmony® storage solutions symbol

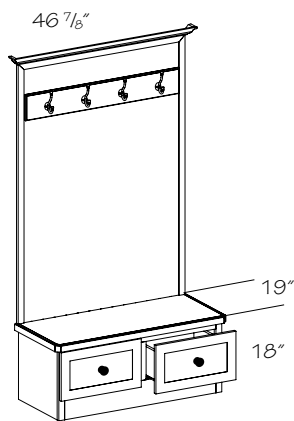
Note: Standard furniture cabinet box depth is 12", 18", 21" or 24", unless stated otherwise. Add door thickness and bumper for total depth.

EWEBU	42
code	width

Note: unless noted, all Furniture Cabinets are manufactured in 3/4" Furniture Plywood Ends with matching wood veneer or Viraguard interiors.

Material dimensions may be nominal based on lumber industry standards.

Specifications subject to change without notice.



EWE42

Entryway Ensemble

(price book pg. 116)

EWE42 -AB

EWE42 -OB

EWE42 -PB

EWE42 -SN

Beaded Back

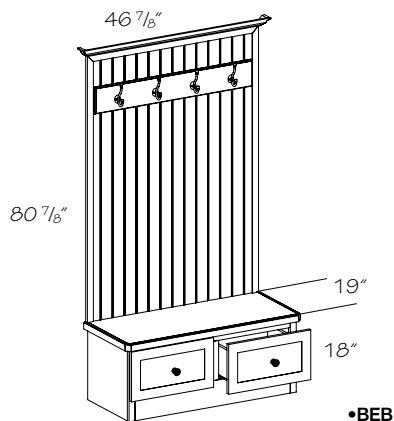
EWE42 -BEB -AB

EWE42 -BEB -OB

EWE42 -BEB -PB

EWE42 -BEB -SN

- All components shipped separately
- Seat top is 5/8" engineered wood with wood veneer one side
- Seat top edge is finished with 3/4" thick by 1 9/16" high solid wood edge molding
- Seat tops in laminate door styles are painted White or Cream
- Two deep drawers
- Beaded back panel is wood veneer construction
- Plain back panel is wood veneer or melamine construction
- Back panel must be fastened to wall with adhesive and nails or screws
- Back panel edged with flat molding and topped with Crown Molding (CM8); molding shipped unattached
- AB = Antique Brass
- OB = Oiled Bronze
- PB = Polished Brass
- SN = Satin Nickel
- Contrasting Back Options (CBEB, CPLB, CVGR) **not** available
- **Not** for use as a freestanding unit
- **Not** available in Morristown; Melrose and Brockton are plain sawn wood
- ☆ This cabinet supplied with standard WR (Wide Rail). See Construction Options section of this book for optional WR treatments.
- ☆ APFC standard when APC option is selected



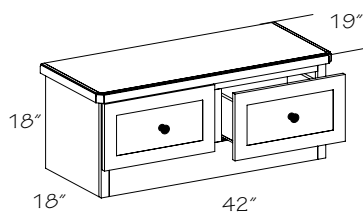
•BEB

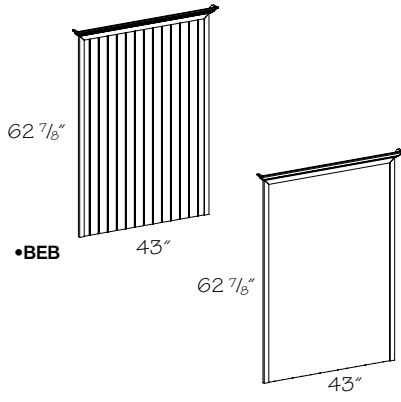
Entryway Base Unit

(price book pg. 116)

EWEBU42 K

- Seat top is 5/8" engineered wood with wood veneer one side
- Seat tops in laminate door styles are painted White or Cream
- Seat top edge is finished with 3/4" thick by 1 9/16" high solid wood edge molding
- Seat top shipped separately
- Two deep drawers
- **Not** available in Morristown; Melrose and Brockton are plain sawn wood
- ☆ This cabinet supplied with standard WR (Wide Rail). See Construction Options section of this book for optional WR treatments.
- ☆ APFC standard when APC option is selected





Entryway Back Panel

(price book pg. 118)

EWBP42 K

- Wood veneer or melamine construction

EWBP42 K-BEB

- Wood veneer construction

- Edged with flat molding and topped with Crown Molding (CM8)
- Back panel must be fastened to wall with adhesive and nails or screws
- **Not** available in Morristown; Melrose and Brockton are plain sawn wood

APC
APFC
FPFB
WR

Entryway Coat Rack

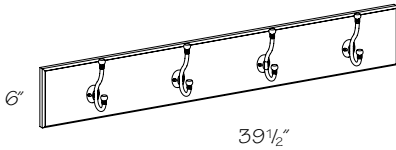
(price book pg. 118)

EWCR42 K-AB

EWCR42 K-OB

EWCR42 K-PB

EWCR42 K-SN



- 3/4" solid wood
- Laminates are painted hardwood
- Garment hooks available in:
 - AB = Antique Brass
 - OB = Oiled Bronze
 - PB = Polished Brass
 - SN = Satin Nickel
- Garment hooks shipped separately
- **Not** available in Morristown; Melrose and Brockton are plain sawn wood



APC
APFC
FPFB
WR

Entryway Garment Hooks

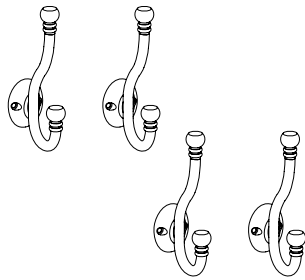
(price book pg. 118)

GH-AB

GH-OB

GH-PB

GH-SN



- Garment hooks available in:
 - AB = Antique Brass
 - OB = Oiled Bronze
 - PB = Polished Brass
 - SN = Satin Nickel
- Four per pack



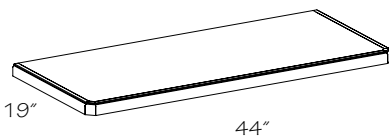
APC
APFC
FPFB
WR

Entryway Wood Top

(price book pg. 118)

EWTWT1944K

- Seat top is 5/8" engineered wood with wood veneer one side
- Seat tops in laminate door styles are painted White or Cream
- Seat top edge is finished with 3/4" thick by 1 9/16" high solid wood edge molding
- **Not** available in Morristown; Melrose and Brockton are plain sawn wood



APC
APFC
FPFB
WR