

# Hutches

## Construction Options and Modifications

- --- Available with an upcharge
- ☆ --- Available with exceptions
- ◆ --- Included as standard
- (Blank) - Not available



Look for the Harmony® storage solutions symbol

Note: Standard furniture cabinet box depth is 12", 18", 21" or 24", unless stated otherwise. Add door thickness and bumper for total depth.

Note: unless noted, all Furniture Cabinets are manufactured in 3/4" Furniture Plywood Ends with matching wood veneer or Viraguard interiors. Due to toe kicks shipping separately on 96" high units, 96" furniture cabinets will be manufactured with 1/2" plywood end panels so the ends can be skinned to hide the seam. Skins must be ordered separately.

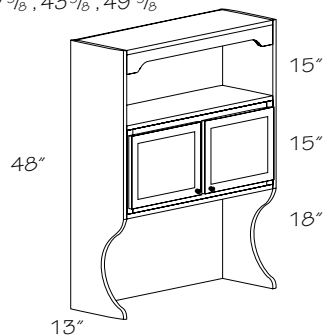
<b>FHW</b>	<b>42</b>	<b>15</b>
code	width	height of cabinet

Material dimensions may be nominal based on lumber industry standards.

Specifications subject to change without notice.

- PE --- Plywood Ends
- APC --- All Plywood Construction
- APFC --- All Plywood Furniture Construction
- FPEB --- Furniture Plywood Ends
- GD --- Glass Doors
- MI --- Matching Interior
- RD --- Reduced Depth
- RTK --- Recessed Toe Kick
- VTK --- Void Toe Kick
- WR --- Wide Bottom Rail
- XS --- Extended Stile

37 5/8", 43 5/8", 49 5/8"



### Furniture Hutch w/15" Wall

(price book pg. 118)

**FHW3615**

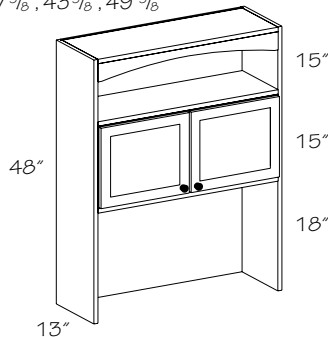
**FHW4215**

**FHW4815**

- Wood veneer on 7/8" thick engineered wood exterior end panels
- 48" wide hutch has three doors in all door styles—hinged left-left-right
- 42" wide hutch has three doors in 1/2" overlay door styles
- Contrasting Back Options (CBEB, CPLB, CVGR) **not** available
- Back Options (BEB and VGRB) **not** available
- **Note:** Width dimensions shown include end panels
- See Construction Options section of this book for Valance options
- **Not** available in Morristown; Melrose and Brockton are plain sawn wood
- Laminates are painted hardwood
- ☆ APFC standard when APC option is selected

PE
● APC
☆ APFC
◆ FPEB
● GD
◆ MI
RD
RTK
VTK
WR
XS

37 5/8", 43 5/8", 49 5/8"



### Furniture Hutch Mission w/15" Wall

(price book pg. 118)

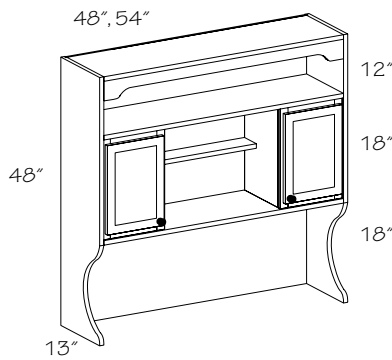
**FHW3615-M**

**FHW4215-M**

**FHW4815-M**

- Quartersawn wood veneer on 7/8" thick engineered wood exterior end panels
- Quartersawn wood veneer end panels
- 48" wide hutch has three doors in all door styles—hinged left-left-right
- Available in quartersawn oak door styles only
- **Note:** Width dimensions shown include end panels
- Contrasting Back Options (CBEB, CPLB, CVGR) **not** available
- Back Options (BEB and VGRB) **not** available
- ☆ APFC standard when APC option is selected

PE
● APC
☆ APFC
◆ FPEB
● GD
◆ MI
RD
RTK
VTK
WR
XS



### Furniture Hutch w/18" Wall

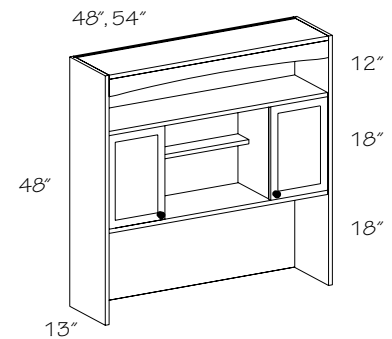
(price book pg. 120)

#### FHW48S

#### FHW54S

- Wood veneer on 7/8" thick engineered wood exterior end panels
- Contrasting Back Options (CBEB, CPLB, CVGR) **not** available
- Back Options (BEB and VGRB) **not** available
- **Note:** Width dimensions shown include end panels
- See Construction Options section of this book for Valance options
- **Not** available in Morristown; Melrose and Brockton are plain sawn wood
- Laminates are painted hardwood
- ☆ APFC standard when APC option is selected

PE
● APC
☆ APFC
❖ FPEB
● GD
❖ MI
RD
RTK
VTK
WR
XS



### Furniture Hutch Mission w/18" Wall

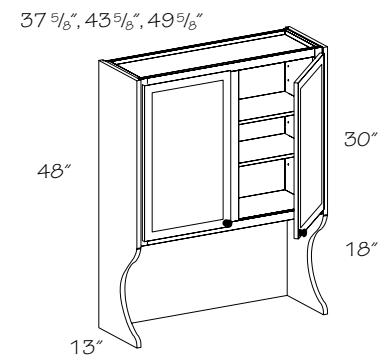
(price book pg. 120)

#### FHW48S-M

#### FHW54S-M

- Quartersawn wood veneer on 7/8" thick engineered wood exterior end panels
- Quartersawn wood veneer end panels
- Available in quartersawn oak door styles only
- Contrasting Back Options (CBEB, CPLB, CVGR) **not** available
- Back Options (BEB and VGRB) **not** available
- **Note:** Width dimensions shown include end panels
- ☆ APFC standard when APC option is selected

PE
● APC
☆ APFC
❖ FPEB
● GD
❖ MI
RD
RTK
VTK
WR
XS



### Furniture Hutch w/30" Wall

(price book pg. 120)

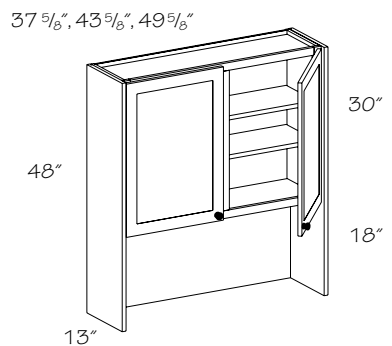
#### FHW3630

#### FHW4230

#### FHW4830

- Wood veneer on 7/8" thick engineered wood exterior end panels
- Two adjustable shelves
- Shelves shipped separately
- Contrasting Back Options (CBEB, CPLB, CVGR) **not** available
- Back Options (BEB and VGRB) **not** available
- **Note:** Width dimensions shown include end panels
- **Not** available in Morristown; Melrose and Brockton are plain sawn wood
- Laminates are painted hardwood
- ☆ APFC standard when APC option is selected

PE
● APC
☆ APFC
❖ FPEB
● GD
❖ MI
RD
RTK
VTK
WR
XS



### Furniture Hutch Mission w/30" Wall

(price book pg. 120)

#### FHW3630-M

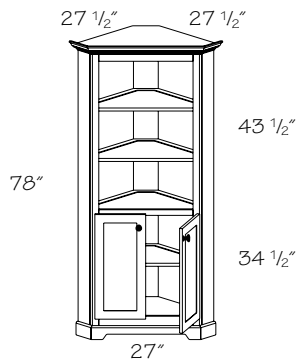
#### FHW4230-M

#### FHW4830-M

- Quartersawn wood veneer on 7/8" thick engineered wood exterior end panels
- Quartersawn wood veneer end panels
- Two adjustable shelves
- Shelves shipped separately
- Available in quartersawn oak door styles only
- Contrasting Back Options (CBEB, CPLB, CVGR) **not** available
- Back Options (BEB and VGRB) **not** available
- **Note:** Width dimensions shown include end panels
- ☆ APFC standard when APC option is selected

PE
● APC
☆ APFC
❖ FPEB
● GD
❖ MI
RD
RTK
VTK
WR
XS

Unless noted, all furniture cabinets are manufactured in furniture plywood ends with matching wood or Viraguard interiors.



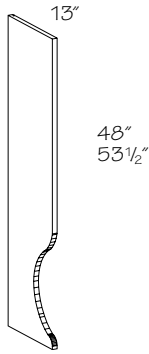
### China Hutch

(price book pg. 120)

#### CH272478 BUTT

- Two 3/4" fixed shelves with plate groove in upper section
- 13" between shelves in upper section
- One 3/4" fixed shelf in lower section
- 13 13/16" above shelf 13 13/16" below shelf in lower section
- No doors on upper section
- End panels are 3/4" veneer plywood
- Back Options (BEB and VGRB) **not** available
- For glass doors on upper section, order 2-RD2748 replacement doors and add desired glass insert or mullion
- Butt doors on lower section
- Angled back provides clearance for installation
- Applied Crown Molding (CM8) and Soffit Crown Molding (SCM8)
- **Not** available in Morristown; Melrose and Brockton are plain sawn wood
- ☆ If GD option is used, lower section will get glass doors
- ☆ APFC standard when APC option is selected

PE
● APC
☆ APFC
◇ FPEB
☆ GD
◇ MI
RD
RTK
VTK
WR
XS



### Hutch End

(price book pg. 122)

#### WHE48

#### WHE54

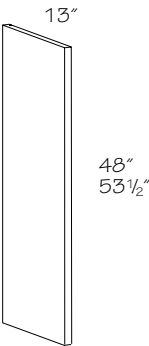
Peninsula

#### WPHE48

#### WPHE54

- Matching 7/8" wood veneer
- Edgebanded one long edge—two edges for peninsula
- **Not** available in Morristown; Melrose and Brockton are plain sawn wood
- ☆ APC panel is 11/16" thick

PE
☆ APC
APFC
FPEB
GD
MI
RD
RTK
VTK
WR
XS



### Hutch End Mission

(price book pg. 122)

#### WHE48 -M

#### WHE54 -M

Peninsula

#### WPHE48 -M

#### WPHE54 -M

- 7/8" thick, quartersawn wood veneer
- Edgebanded one long edge—two edges for peninsula
- Available in quartersawn oak door styles only
- ☆ APC panel is 11/16" thick

PE
☆ APC
APFC
FPEB
GD
MI
RD
RTK
VTK
WR
XS