

Wood Tops

Construction Options and Modifications

APC - - All Plywood Construction

Wood tops are constructed of 5/8" engineered wood with wood veneer one side. Front is finished with 3/4" thick by 1 9/16" high solid wood edge molding.

CWT	25	48
edge style	top depth	top length

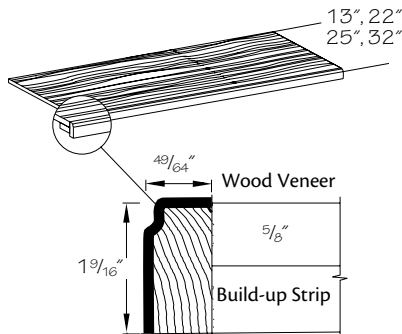
Note: Only one (1) top will be manufactured per 48" or 96" blank.

Material dimensions may be nominal based on lumber industry standards.

Specifications subject to change without notice.

Traditional Wood Tops

(price book pg. 1100)



TWT1348
TWT2248
TWT2548
TWT3248
TWT1396
TWT2296
TWT2596
TWT3296

Peninsula

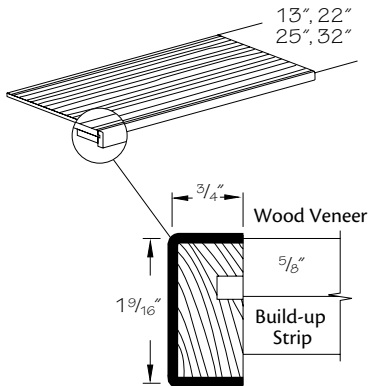
PTWT1348
PTWT2248
PTWT2548
PTWT3248
PTWT1396
PTWT2296
PTWT2596
PTWT3296

- Finished dimensions and finished edges must be specified. Finished dimensions are available in 1/16" increments only.
- Tops will be supplied for straight applications only including peninsula and islands with up to four finished edges
- Wood tops are built to size
- Laminates are painted hardwood
- **Not** available in Morristown; Melrose and Brockton are plain sawn wood
- **Note:** Heavy lines indicate finished edges

● APC

Flat Wood Tops

(price book pg. 1100)



FWT1348 •M
FWT2248 •M
FWT2548 •M
FWT3248 •M
FWT1396 •M
FWT2296 •M
FWT2596 •M
FWT3296 •M

Peninsula

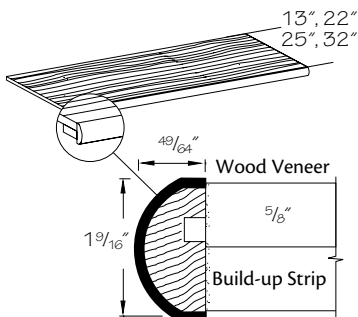
PFWT1348 •M
PFWT2248 •M
PFWT2548 •M
PFWT3248 •M
PFWT1396 •M
PFWT2296 •M
PFWT2596 •M
PFWT3296 •M

- Finished dimensions and finished edges must be specified. Finished dimensions are available in 1/16" increments only.
- Tops will be supplied for straight applications only including peninsula and islands with up to four finished edges
- Wood tops are built to size
- Available in quartersawn oak door styles only
- **Note:** Heavy lines indicate finished edges

● APC

Contemporary Wood Tops

(price book pg. 1100)



CWT1348
CWT2248
CWT2548
CWT3248
CWT1396
CWT2296
CWT2596
CWT3296

Peninsula

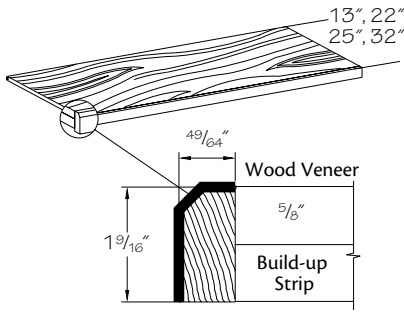
PCWT1348
PCWT2248
PCWT2548
PCWT3248
PCWT1396
PCWT2296
PCWT2596
PCWT3296

- Finished dimensions and finished edges must be specified. Finished dimensions are available in 1/16" increments only.
- Tops will be supplied for straight applications only including peninsula and islands with up to four finished edges
- Wood tops are built to size
- Laminates are painted hardwood
- **Not** available in Morristown; Melrose and Brockton are plain sawn wood
- **Note:** Heavy lines indicate finished edges

● APC

Angled Wood Top

(price book pg. 1100)



AWT1348
AWT2248
AWT2548
AWT3248
AWT1396
AWT2296
AWT2596
AWT3296

Peninsula

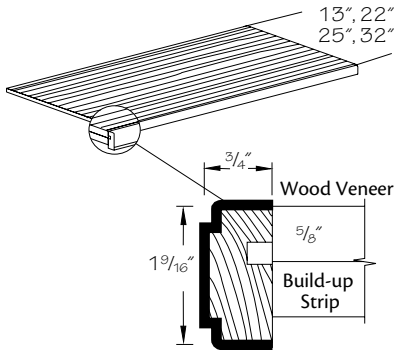
PAWT1348
PAWT2248
PAWT2548
PAWT3248
PAWT1396
PAWT2296
PAWT2596
PAWT3296

- Finished dimensions and finished edges must be specified. Finished dimensions are available in 1/16" increments only.
- Tops will be supplied for straight applications only including peninsula and islands with up to four finished edges
- Wood tops are built to size
- Laminates are painted hardwood
- **Not** available in Morristown; Melrose and Brockton are plain sawn wood
- **Note:** Heavy lines indicate finished edges

● APC

Single Bead Wood Tops

(price book pg. 1100)



SBWT1348 •M
SBWT2248 •M
SBWT2548 •M
SBWT3248 •M
SBWT1396 •M
SBWT2296 •M
SBWT2596 •M
SBWT3296 •M

Peninsula

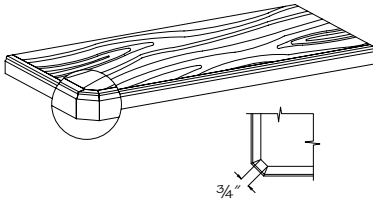
PSBWT1348 •M
PSBWT2248 •M
PSBWT2548 •M
PSBWT3248 •M
PSBWT1396 •M
PSBWT2296 •M
PSBWT2596 •M
PSBWT3296 •M

- Finished dimensions and finished edges must be specified. Finished dimensions are available in 1/16" increments only.
- Tops will be supplied for straight applications only including peninsula and islands with up to four finished edges
- Wood tops are built to size
- Available in quartersawn oak door styles only
- **Note:** Heavy lines indicate finished edges

● APC

Clipped Corner Wood Tops

(price book pg. 1100)



CCB Clipped Corner Both
CCL Clipped Corner Left
CCR Clipped Corner Right

- 45° clipped corners
- Only available when optional finished ends are specified
- **Note:** Heavy lines indicate finished edges

TWT2296-FER-CCR

PTWT2296-FER-CCB

TWT2296-FEL-CCL

PTWT2296-FEL-CCB

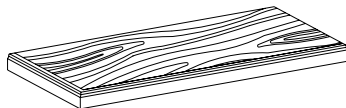
TWT2296-FEB-CCB

PTWT2296-FEB-CCB-CCB

APC

Finished End Wood Tops

(price book pg. 1100)



FEB Finished End Both
FEL Finished End Left
FER Finished End Right

- Edge molding is miter cut at 90° corners, optional 45° clipped corners are also available
- **Note:** Heavy lines indicate finished edges

TWT2296

PTWT2296

TWT2296-FER

PTWT2296-FER

TWT2296-FEL

PTWT2296-FEL

TWT2296-FEB

PTWT2296-FEB

APC