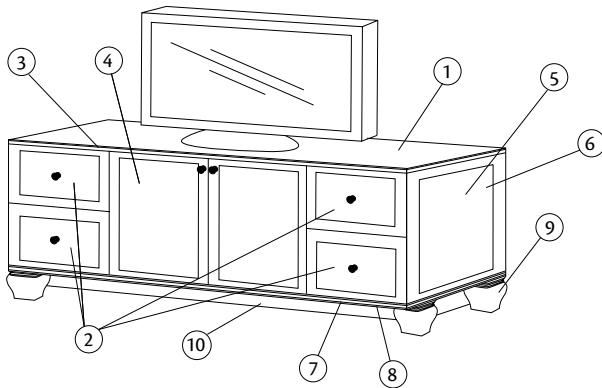


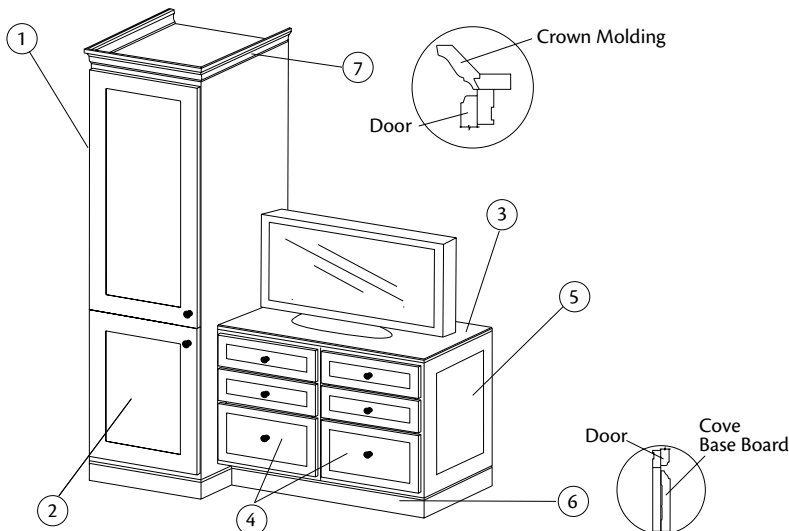
Flat Screen Solution 1



- 1. KraftMaid Wood Top
- 2. Furniture Drawer
- 3. Stack Molding
- 4. Wall Cabinet
- 5. Wood Skin (apply one to each side)
- 6. Replacement Door (apply one to each side)
- 7. Furniture Shelf
- 8. Single Bead Edge (applied to front and side edges)
- 9. Cove Leg (4)
- 10. Matching Toe Kick*

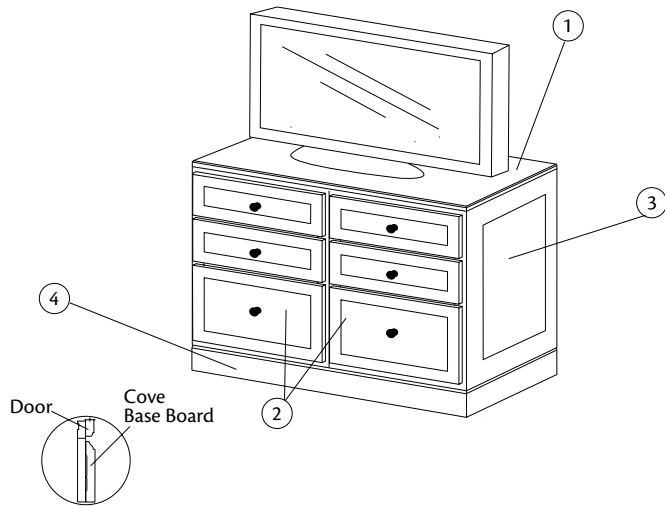
*Build a recessed toe kick platform for added support and apply Matching Toe Kick. Recommend to recess 9".

Flat Screen Solution 2



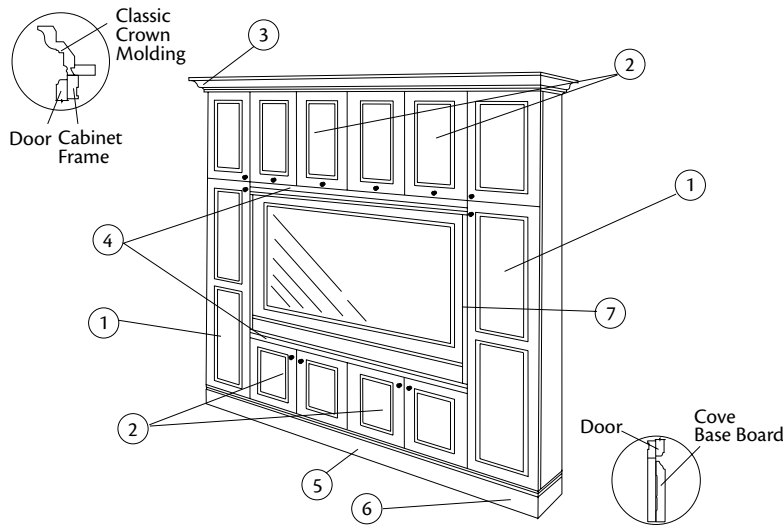
- 1. Replacement Doors (applied to sides)
- 2. Entertainment Cabinet End Unit (with RD2152 top door; flush sides)
- 3. KraftMaid Wood Top
- 4. Desk Drawer Cabinet (Wide Rail Plain)
- 5. Replacement Door
- 6. Cove Base Board
- 7. Crown Molding

Flat Screen Solution 3



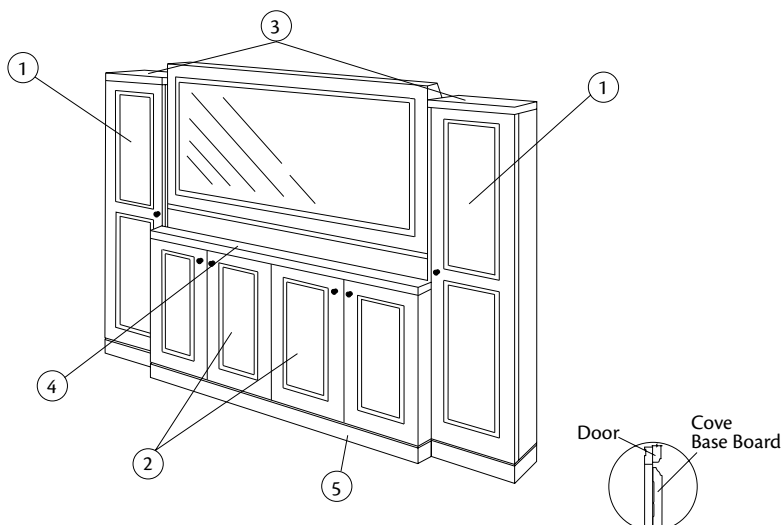
- 1. KraftMaid Wood Top
- 2. Desk Drawer Cabinet (Wide Rail Plain)
- 3. Replacement Door
- 4. Cove Base Board

Flat Screen Solution 4



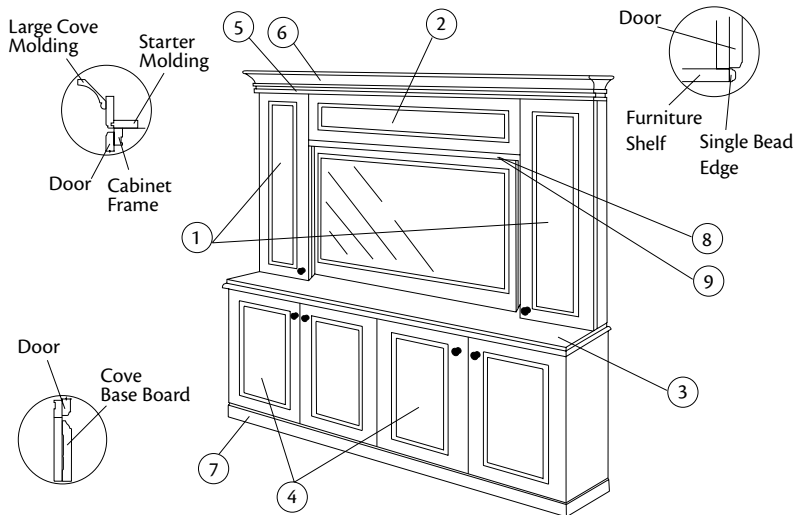
- 1. Utility cabinets (with Wide Rail Plain; Reduced Depth to 18")
 - 2. Wall Cabinets (w/Butt doors; Increased Depth to 18")*
 - 3. Classic Crown Molding
 - 4. Furniture Shelves
 - 5. Solid Stock
 - 6. Cove Base Board
 - 7. Skin or panel, applied to wall, behind TV.
Not intended for supporting TV.
- * Build a flush toe kick platform for added support

Flat Screen Solution 5



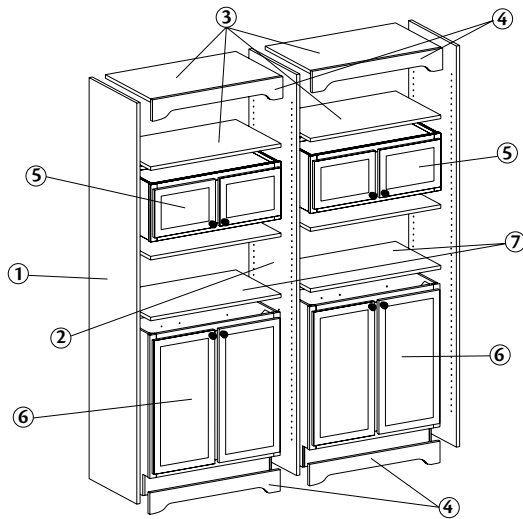
- 1. Utility cabinets (with Wide Rail Plain; Reduced Depth to 18")
- 2. Vanity Cabinets (with Wide Rail Plain)
- 3. KraftMaid Wood Top (Finished Both Ends)
- 4. Furniture Shelves (pull forward 3/4")
- 5. Cove Base Board

Flat Screen Solution 6



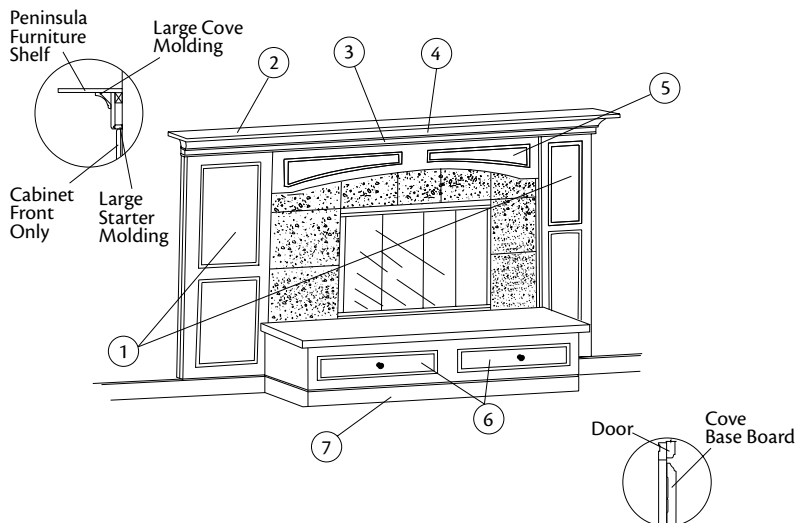
- 1. Wall cabinets (Reduced Depth to fit TV Specs; with Furniture Plywood Ends)
- 2. Wall Cabinets-CFO (installed horizontally at 12" deep; secure door)
- 3. KraftMaid Wood Top (Finished Both Ends)
- 4. Vanity Cabinets (with Wide Rail Plain; Furniture Plywood Ends)
- 5. Starter Molding
- 6. Large Cove Molding
- 7. Cove Base Board
- 8. Furniture Shelf
- 9. Single Bead Edge (applied to front of shelf)

Furniture Component System



- Create your own furniture component system using standard wall and base cabinets
- 1. Furniture end panel
- 2. Center furniture end panel
- 3. Furniture shelf
- 4. Furniture valance
- 5. Standard wall cabinet
- 6. Base cabinet with full-height doors
- 7. Furniture panel

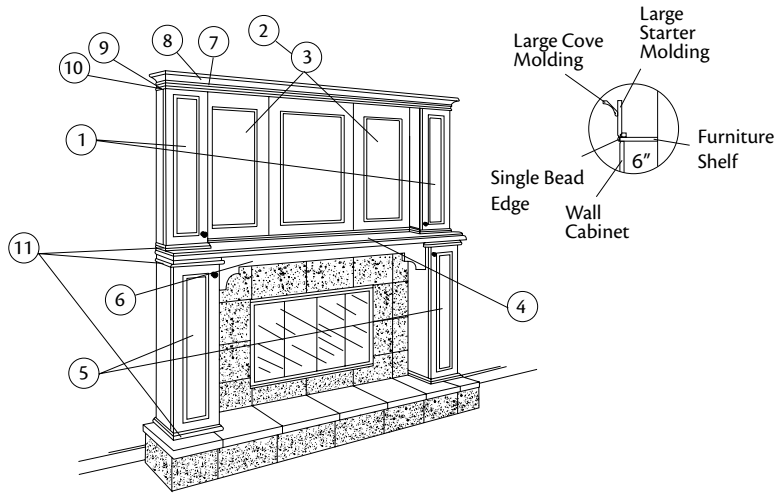
Hearth Solution 1



- 1. Utility Cabinet-CFO
- 2. Peninsula Furniture Shelf
- 3. Large Starter Molding
- 4. Large Cove Molding
- 5. Flat Panel Valance
- 6. 12" high Furniture Drawer (with Furniture Plywood Ends)*
- 7. Cove Base Board

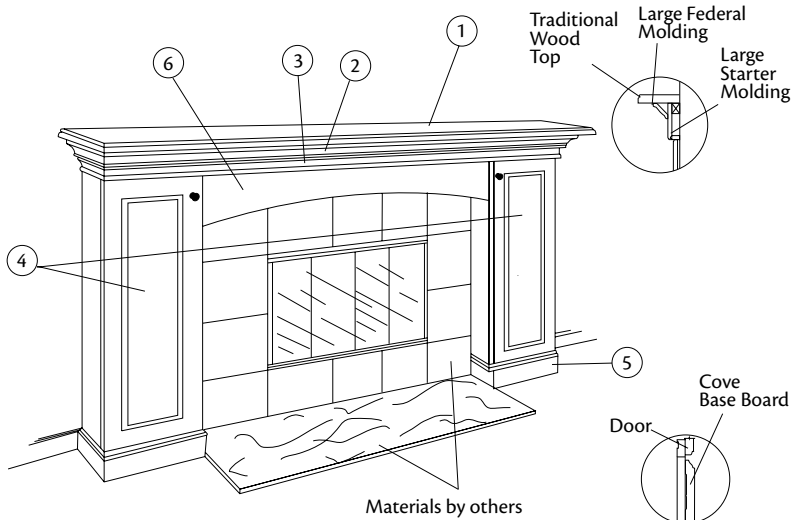
* Build a 4 1/2" high platform under Furniture Drawers for support

Hearth Solution 2



- 1. Wall cabinets (Reduced Depth to 6"; with Furniture Plywood Ends)
- 2. Wall Skin (cut skin to wall)
- 3. Replacement Door
- 4. KraftMaid Wood Top
- 5. Wall Cabinet (with Furniture Plywood Ends)
- 6. Crown Valance
- 7. Large Starter Molding
- 8. Large Cove Molding
- 9. Furniture Shelf
- 10. Single Bead Edge (applied to edge of shelf)
- 11. Ogee Molding (above and below cabinets)

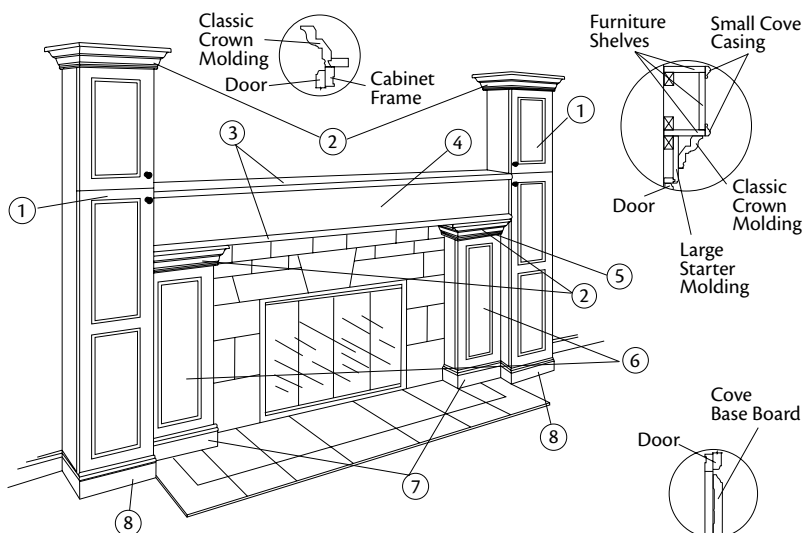
Hearth Solution 3



- 1. Traditional Wood Top
- 2. Large Federal Molding
- 3. Large Starter Molding
- 4. Wall cabinets (Reduced Depth to 6; Furniture Plywood Ends)*
- 5. Solid Stock
- 6. Cove Base Board
- 7. Cove Valance

* Build a flush toe kick platform under for support

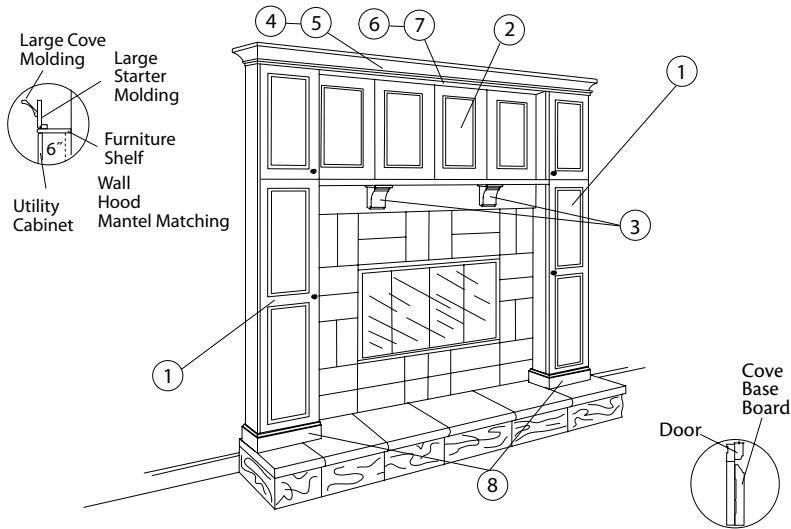
Hearth Solution 4



- 1. Utility Cabinet (Wide Rail Plain; Furniture Plywood Ends)
- 2. Classic Crown Molding
- 3. Small Cove Casing
- 4. Furniture Shelf
- 5. Large Starter Molding
- 6. Wall cabinets (Reduced Depth to 6; Furniture Plywood Ends)*
- 7. Solid Stock
- 8. Cove Base Board

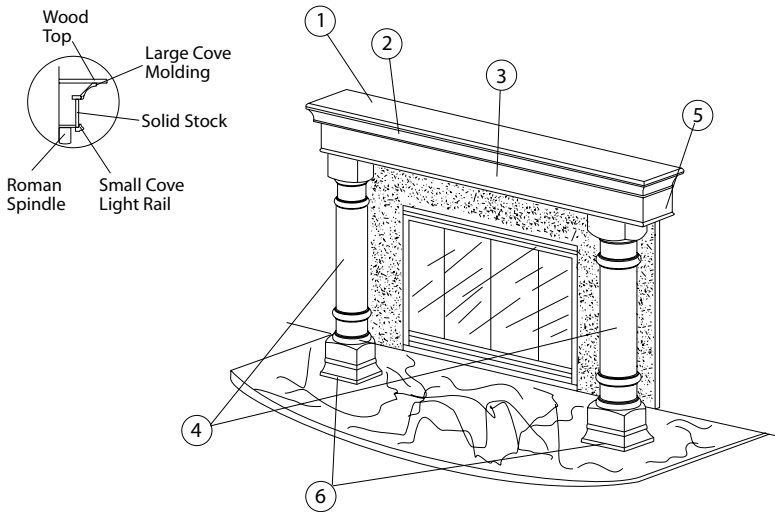
* Build a flush toe kick platform under for support

Hearth Solution 5



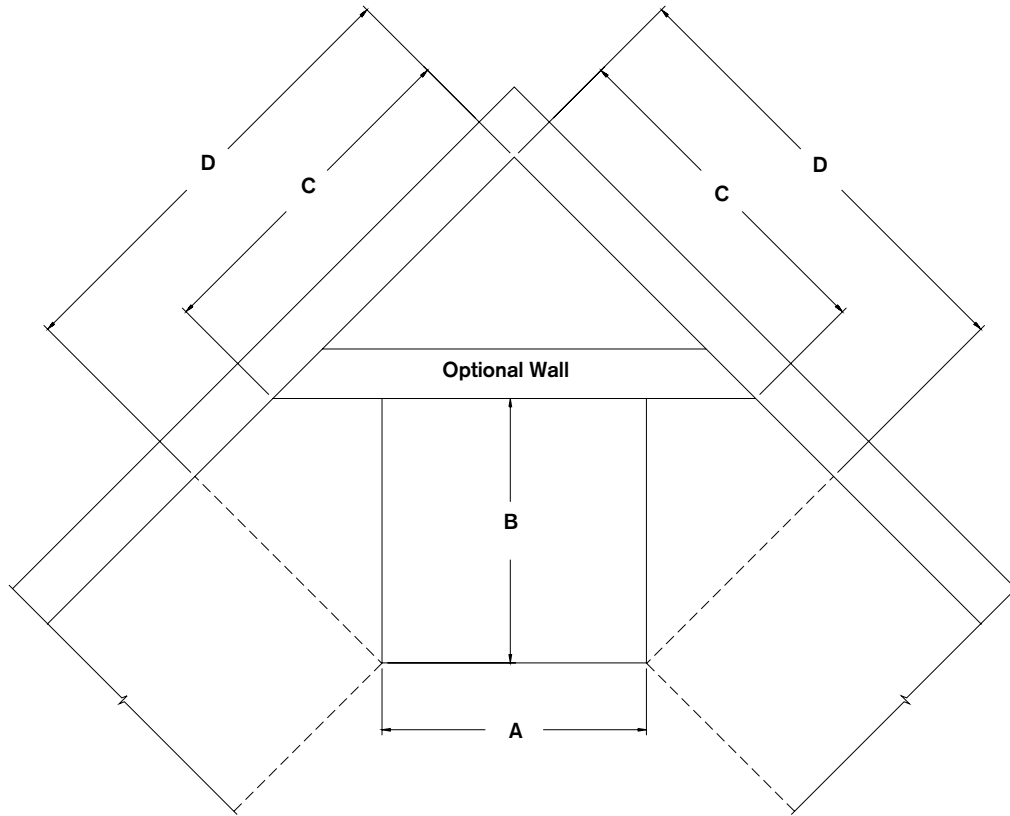
- 1. Utility Cabinet (Wide Rail Plain; Furniture Plywood Ends; Reduced Depth to 6")
- 2. Wall Hood Mantle Matching
- 3. Cove Corbel
- 4. Large Starter Molding
- 5. Large Cove Molding
- 6. Furniture Shelf
- 7. Single Bead Edge
- 8. Cove Base Board

Hearth Solution 6



- 1. KraftMaid Wood Top
- 2. Large Cove Molding
- 3. Solid Stock
- 4. Roman Spindles
- 5. Small Cove Light Rail
- 6. Large Cove Molding (inverted)

Diagonal Installation of Standard Furniture Cabinets



Cabinet Width "A"	Cabinet Width "B"	Wall Dimensions "C"	Wall Dimensions "D"	Cabinet Depth "B"	Wall Dimensions "C"	Wall Dimensions "D"
18"	12"	20 ¾"	25 ¾"	18"	23 ¼"	30 ¾"
24"	12"	24 ¾"	29 ¾"	18"	27 ½"	35"
30"	12"	28 ¾"	33 ¾"	18"	31 ¾"	39 ¼"
36"	12"	33 ¾"	38 ¾"	18"	36"	43 ½"