

Decorative Appliance Panels

Construction Options and Modifications

Material dimensions may be nominal based on lumber industry standards.

Specifications subject to change without notice.



Decorative Appliance Panel–Pricing Method

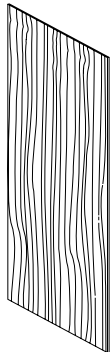
- **General Pricing Rules:**
- Using the outer most dimension of each panel, the width and height should be converted into a decimal form. Examples: $21\ 9/16'' = 21.5625$; $58\ 7/16'' = 58.4375$, etc.
- Calculated dimensions will be rounded using the standard rounding method (down from 4 and up from 5) to the nearest 10,000th place. Example: 8.7504069 will round to 8.7504.
- List prices will be rounded up to the nearest dollar from .01 cents. Example: \$179.01 will become \$180.
- Please use the following instructions to determine the LIST PRICE of each panel, remembering to use the rounding method mentioned above.
- Start by taking the panel width and height, in decimal form, and multiply the two numbers together giving you the total square inches. Example: $(21\ 9/16'')$ $21.5625 \times (58\ 3/8'')$ $58.4375 = 1260.058594$ sq. in., which rounds to 1260.0586 sq. in.
- Next, you need to convert square inches into square feet by taking the square inch figure and dividing that number by 144. Example: $1260.0586 \div 144 = 8.7504069$ sq. ft., which rounds to 8.7504 sq. ft.
- Next, multiply the total square feet by the appropriate square foot list price to get the total list price. Example $8.7504 \times \$128 = 1120.05$, which rounds to \$1121 list price.
- **Note:** Prices shown above are merely examples and are **not** actual list prices

Decorative Panel–Back Panel

(price book pg. J1)

APWSK

- Approximately $3/16''$ thick
- Back Panels will match the wood species and the color of the selected door style and finish and can be used with or without onlay panels to decorate any appliance
- Wood veneer engineered wood
- Quartersawn oak door styles are quartersawn wood veneer
- Quartersawn cherry door styles are plain sawn wood veneer
- Finished one side only
- Edges are unfinished with no edgebanding

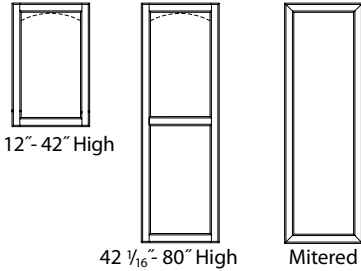


Onlay Panel	
Minimum Width	$4\ 1/2''$
Maximum Width	48"
Minimum Height	$3/4''$
Maximum Height	96"

Decorative Panel–Door Onlay Panel

(price book pg. J1)

APDR-B or W



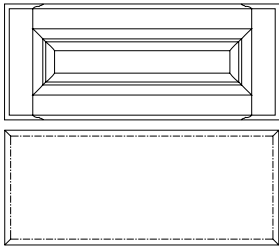
Onlay Panel	
Minimum Width	8"
Maximum Width	36"
Minimum Height	12"
Maximum Height	80"

- Onlay panels ordered 12"–42" high will have a single center panel
- Onlay panels ordered 42 1/16"–80" high will have a double center panel (a horizontal center rail will equally divide the onlay panel)
- Veneer raised panel door styles will be supplied with a solid wood center panel machined to resemble the veneer center panel
- Mitered door styles will have a single center panel, regardless of height
- Due to varying dimensions and designs of raised center panels, recessed center panels may be supplied when the center panel width or height is less than 3 1/4"
- When an arched door style is selected, you must select Arched (•W) or Square (•B) to determine the onlay panel's top profile
- When a square door style is selected, the square profile will be supplied for all onlay panels as standard. It is recommended to use a square profile when ordering an onlay panel for a dishwasher or trash compactor application.
- Multiple panels of identical size may be ordered by listing the quantity needed. The quantity will default to one if a number is **not** given.
- **Important Note:**
- Check appliance manufacturer's specs for any additional material (shims, spacers, etc.) that may be needed before placing any order. Appliance model numbers are **not** sufficient, numeric dimensions must be used when ordering.

Decorative Panel–Drawer Onlay Panel

(price book pg. J1)

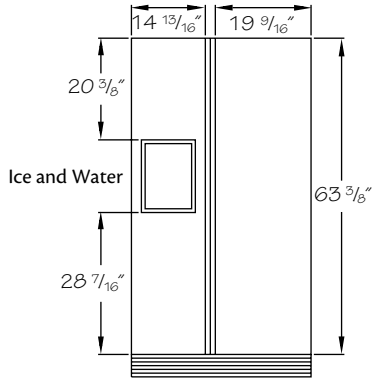
APDW



Onlay Panel	
Minimum Width	6"
Maximum Width	48"
Minimum Height	2 1/4"
Maximum Height	30"

- APDW will follow the selected door style's drawer front configuration
- Five-piece grill panels/drawer heads ordered in heights less than 6 1/8" may be supplied as a solid slab onlay panel. Some five-piece drawer fronts may have a recessed center panel.
- Veneer raised panel door styles will be supplied with a solid wood center panel machined to resemble the veneer center panel
- Multiple panels of identical size may be ordered by listing the quantity needed. The quantity will default to one if a number is **not** given.
- "Width" will be referred to as "Length" on your faxed acknowledgments for APDW only
- If unit is installed at an angle, fillers should be used to avoid interference with adjacent cabinet
- Check appliance manufacturer's specs for any additional material (shims, spacers, etc.) that may be needed before placing any order. Appliance model numbers are **not** sufficient, numeric dimensions must be used when ordering.

Decorative Panel/Replacement Door and Drawer Front

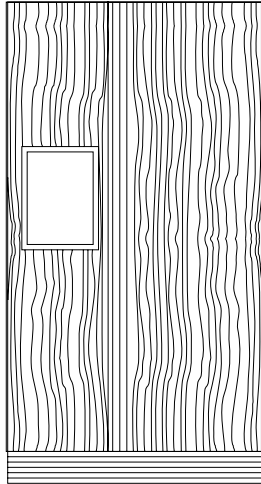


- Decorative panels can be easily created using paneling and replacement door and drawer fronts. Consult the Door and Drawer front Replacement Guide section of this book for sizes of doors and drawer fronts available.
- Example: Create a decorative panel for this side by side refrigerator
- Caution: In most cases, doors will be narrower than the refrigerator door and portions of the refrigerator door paneling will be exposed. Advise your customers that this "reveal" will be present and that cabinet doors will **not** completely overlay the refrigerator door.



When applying Replacement Doors to a WSK remember to allow enough room for access to the appliance door handle

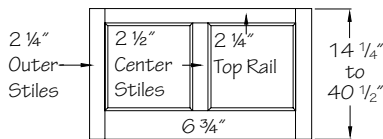
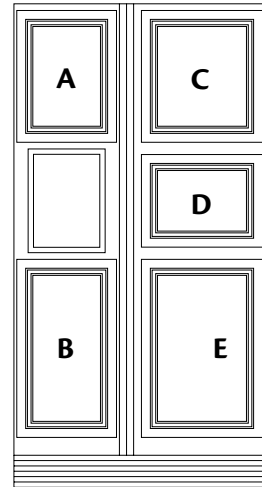
Option 1:
Order and Install:
WSK3684



Option 2:
Order and Install:

- 1 - WSK3684
- 1 - RDB2418 (Door "A")
- 1 - RDB2424 (Door "B")
- 1 - RD1818 (Door "C")
- 1 - RD1815 (Door "D")
- 1 - RD1824 (Door "E")

Size of refrigerator may vary and door sizes may need to be changed.



Decorative Panel-Wainscot

(price book pg. J1)

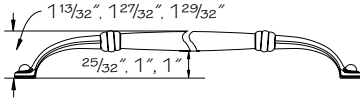
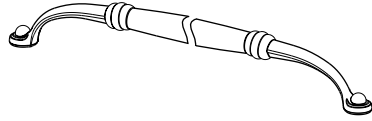
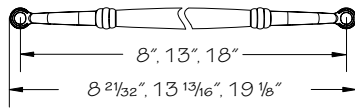
WAIN01

- Multiple panels of identical size may be ordered by listing the quantity needed. The quantity will default to one if a number is **not** given.
- Veneer raised panel door styles will be supplied with a solid wood center panel machined to resemble the veneer center panel
- Shaker door styles are Abington Hickory, Abington Oak, Amhurst, Bedford, Dalton, Fairport and Townsend
- Not** available in mitered door styles
- Not** available in slab door styles
- Not** available in Brockton

Standard		Shaker	
Panel Width	# Panels	Panel Width	# Panels
8"-25"	1	8"-13"	1
25 1/6" - 48"	2	13 1/6" - 20"	2
48 1/6" - 72"	3	20 1/6" - 29"	3
72 1/6" - 96"	4	29 1/6" - 35"	4
		35 1/6" - 48"	5
		48 1/6" - 60"	6
		60 1/6" - 72"	7
		72 1/6" - 84"	8
		84 1/6" - 96"	9

Antique Pull

(price book pg. J1)



7104 8" center

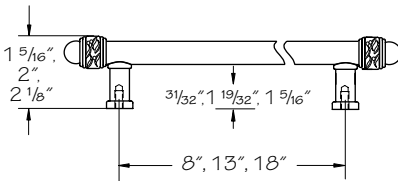
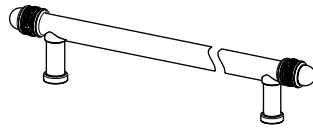
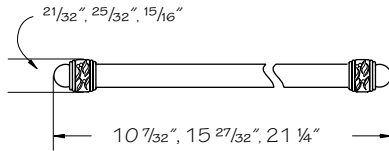
7105 13" center

7106 18" center

- Antique pewter and copper
- Also see companion 7025

Olive Leaf Pull

(price book pg. J1)



7107 -AP Antique Pewter 8" center

7107 -BZ Bronze 8" center

7108 -AP Antique Pewter 13" center

7108 -BZ Bronze 13" center

7109 -AP Antique Pewter 18" center

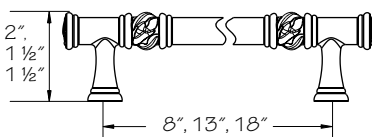
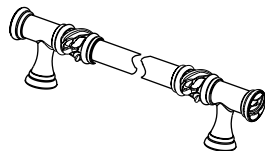
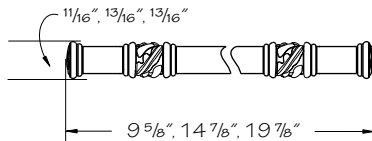
7109 -BZ Bronze 18" center

Color coding indicates new product, size or code

- Also see companion 7066

Venetian Bronze Victorian Leaf Pull

(price book pg. J1)



7110 8" center

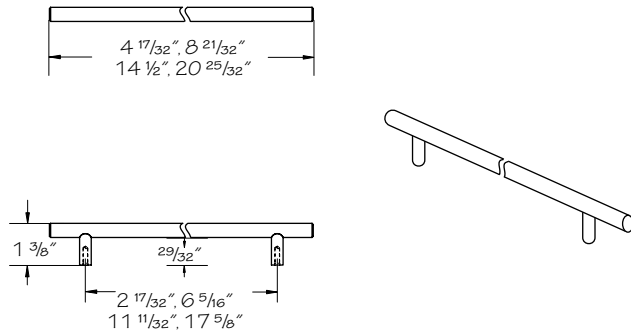
7111 13" center

7112 18" center

- Also see companion 7070 or 7071

Bar Pull

(price book pg. J1)



7087 •AB	Ancient Bronze	11 11/32" center
7087 •SS	Stainless Steel	11 11/32" center
7088 •AB	Ancient Bronze	17 5/8" center
7088 •SS	Stainless Steel	17 5/8" center

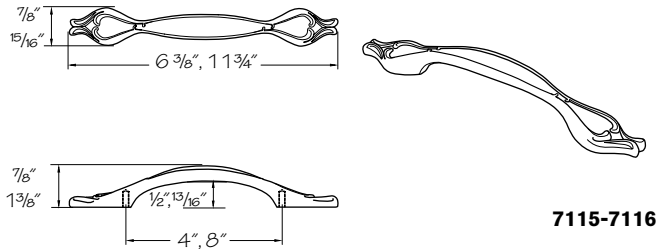
Color coding indicates new product, size or code

• Also see companion 7084

New

French Farm Pull

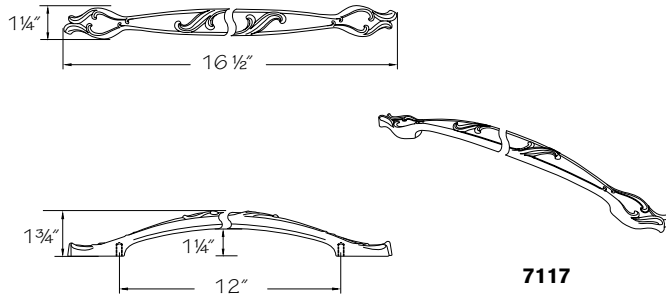
(price book pg. J1)



7115-7116

7116 •AB	Ancient Bronze	8" center
7116 •AN	Antique Nickel	8" center
7116 •STB	Statuary Bronze	8" center
7117 •AB	Ancient Bronze	12" center
7117 •AN	Antique Nickel	12" center
7117 •STB	Statuary Bronze	12" center

Color coding indicates new product, size or code

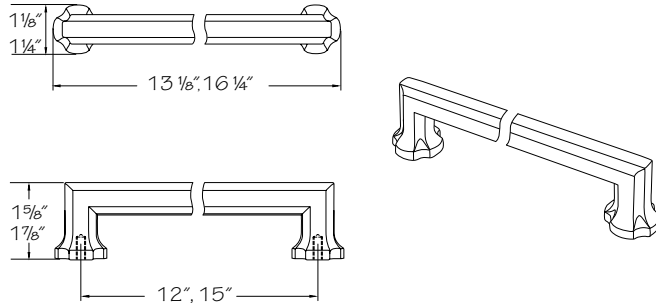


7117

New

Empire Pull

(price book pg. J1)



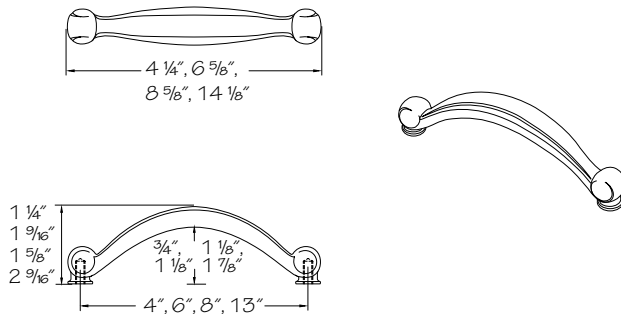
- 7121 •AN Antique Nickel 8" center
- 7121 •BB Brushed Bronze 8" center
- 7121 •PN Polished Nickel 8" center
- 7122 •AN Antique Nickel 12" center
- 7122 •BB Brushed Bronze 12" center
- 7122 •PN Polished Nickel 12" center
- 7123 •AN Antique Nickel 15" center
- 7123 •BB Brushed Bronze 15" center
- 7123 •PN Polished Nickel 15" center

Color coding indicates new product, size or code

New

Crescent Pull

(price book pg. J1)



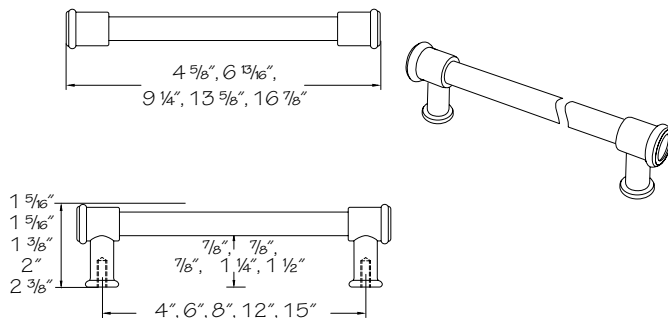
- 7129 •AN Antique Nickel 8" center
- 7129 •BB Brushed Bronze 8" center
- 7129 •PN Polished Nickel 8" center
- 7129 •STB Statuary Bronze 8" center
- 7130 •AN Antique Nickel 12" center
- 7130 •BB Brushed Bronze 12" center
- 7130 •PN Polished Nickel 12" center
- 7130 •STB Statuary Bronze 12" center

Color coding indicates new product, size or code

New

Baluster Pull

(price book pg. J1)



- 7134 •APC Antique Pewter w/Copper 8" center
- 7134 •BB Brushed Bronze 8" center
- 7134 •SN Satin Nickel 8" center
- 7134 •STB Statuary Bronze 8" center
- 7135 •APC Antique Pewter w/Copper 12" center
- 7135 •BB Brushed Bronze 12" center
- 7135 •SN Satin Nickel 12" center
- 7135 •STB Statuary Bronze 12" center
- 7136 •APC Antique Pewter w/Copper 15" center
- 7136 •BB Brushed Bronze 15" center
- 7136 •SN Satin Nickel 15" center
- 7136 •STB Statuary Bronze 15" center

Color coding indicates new product, size or code