

Molding

Construction Options and Modifications

- --- Available with an upcharge
- ☆ --- Available with exceptions
- ◆ --- Included as standard
- (Blank) - Not available

- B --- Birch
- C --- Cherry
- H --- Hickory
- L --- Laminates
- M --- Maple
- O --- Oak
- QS --- Quartersawn
- U --- Unfinished

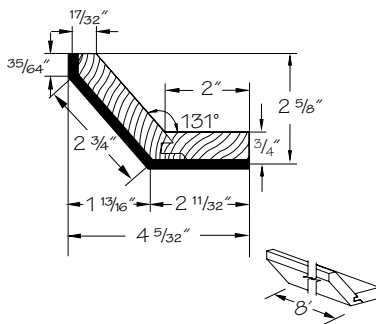
We offer numerous moldings for decorative and finished applications. Moldings are available in some or all wood species. See chart for coding.

Material thickness dimensions may be nominal based on lumber industry standards.

All molding ordered in quartersawn door styles will be supplied standard oak unless otherwise noted.

Specifications subject to change without notice.

ACM	8
code	length



Angle Crown Molding

(price book pg. L9)

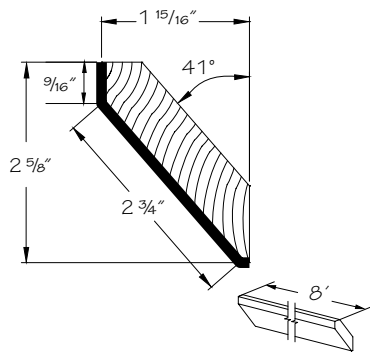
ACM8

- Solid wood
- Laminates are foil wrapped MDF
- Will have rustic characteristics when ordered in rustic door styles.



Remember to order "Furniture Ends" (FPEB) or a Wood Skin (WSK) for wall cabinets that will be at the end of a run when applying decorative moldings. This will result in a flush application on the return.

- ◆ B
- ◆ C
- ◆ H
- ◆ L
- ◆ M
- ◆ O
- ◆ QS
- ◆ U



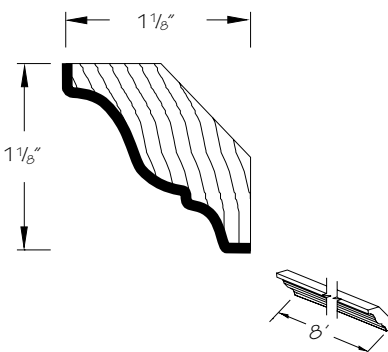
Angle Crown Molding-Face-Mount

(price book pg. L9)

ACM8-FM

- Solid wood
- Laminates are foil wrapped MDF
- Will have rustic characteristics when ordered in rustic door styles.

- ◆ B
- ◆ C
- ◆ H
- ◆ L
- ◆ M
- ◆ O
- ◆ QS
- ◆ U



Soffit Crown Molding

(price book pg. L9)

SCM8

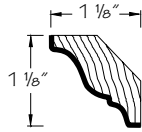
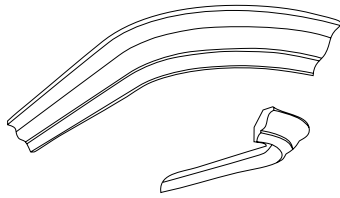
- Solid wood
- Laminates are foil wrapped MDF
- ☆ Quartersawn door styles will be supplied in plain sawn wood



Remember to account for miter cuts and returns when choosing the amount of molding needed for a job.

- ◆ B
- ◆ C
- ◆ H
- ◆ L
- ◆ M
- ◆ O
- ☆ QS
- ◆ U

Note: Heavy, dark lines indicate finished surfaces.



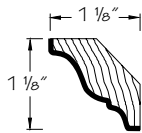
Soffit Crown Molding-WCEP

(price book pg. L9)

SCM R or L-WCEP

- Solid wood
- Laminates are painted hardwood
- For use with WEP3-CEP
- ☆ Not available in Morristown; Melrose and Brockton are plain sawn wood

❖	B
❖	C
❖	H
❖	L
❖	M
❖	O
☆	QS
❖	U



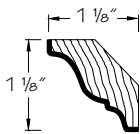
Soffit Crown Molding-WEC

(price book pg. L10)

SCM -WEC

- Solid wood
- For use with WEC-CDO
- ☆ Note: Selected cherry door styles only

	B
☆	C
	H
	L
	M
	O
	QS
❖	U



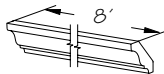
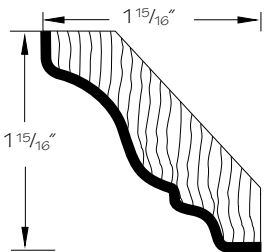
Soffit Crown Molding-WOSC

(price book pg. L10)

SCM -WOSC

- Solid wood
- Laminates are painted hardwood
- For use with WOSC and WA-CDO
- ☆ Not available in Morristown; Melrose and Brockton are plain sawn wood

❖	B
❖	C
❖	H
❖	L
❖	M
❖	O
☆	QS
❖	U



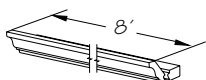
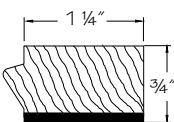
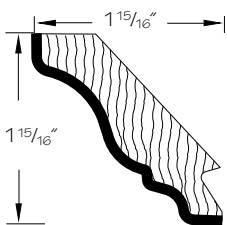
Crown Molding

(price book pg. L10)

CM8 -NG

- Solid wood
- Laminates are foil wrapped MDF
- Will have rustic characteristics when ordered in rustic door styles.
- ☆ Quartersawn door styles will be supplied in plain sawn wood

❖	B
❖	C
❖	H
❖	L
❖	M
❖	O
☆	QS
❖	U



Crown Molding w/Molding Mounting Strip

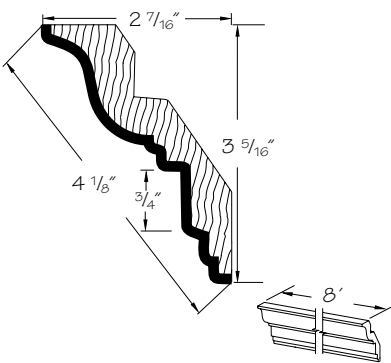
(price book pg. L10)

CM8 -MS

- Solid wood
- Mounting strip may be installed first, allowing for easier alignment and quicker installation of grooved moldings
- Shipped separately
- Will have rustic characteristics when ordered in rustic door styles.
- ☆ Quartersawn door styles will be supplied in plain sawn wood

❖	B
❖	C
❖	H
❖	L
❖	M
❖	O
☆	QS
❖	U

Note: Heavy, dark lines indicate finished surfaces.



Classic Crown Molding

(price book pg. L10)

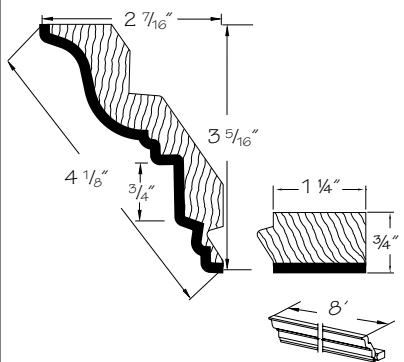
CCM8-NG

- Solid wood
- Laminates are foil wrapped MDF
- Will have rustic characteristics when ordered in rustic door styles.
- ☆ Quartersawn door styles will be supplied in plain sawn wood



Use caution when applying Classic Crown Molding (CCM8), Crown Molding (CM8), etc., when "stair stepping" wall cabinets in full overlay door styles. The doors may hit the molding while opening.

❖	B
❖	C
❖	H
❖	L
❖	M
❖	O
☆	QS
❖	U



Classic Crown Molding w/Molding Mounting Strip

(price book pg. L10)

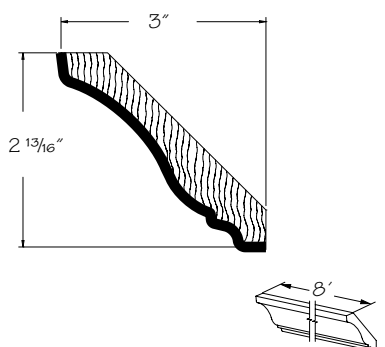
CCM8-MS

- Solid wood
- Mounting strip may be installed first, allowing for easier alignment and quicker installation of grooved moldings
- Shipped separately
- Will have rustic characteristics when ordered in rustic door styles.
- ☆ Quartersawn door styles will be supplied in plain sawn wood



Use caution when applying Classic Crown Molding (CCM8), Crown Molding (CM8), etc., when "stair stepping" wall cabinets in full overlay door styles. The doors may hit the molding while opening.

❖	B
❖	C
❖	H
❖	L
❖	M
❖	O
☆	QS
❖	U



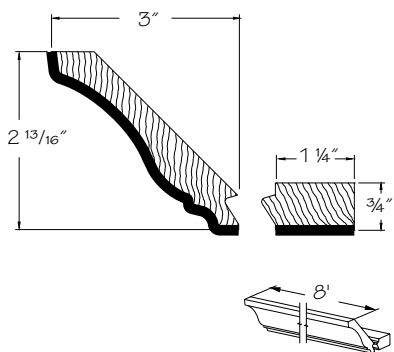
Large Crown Molding

(price book pg. L10)

LCM8-NG

- Solid wood
- Laminates are foil wrapped MDF
- Will have rustic characteristics when ordered in rustic door styles.
- ☆ Quartersawn door styles will be supplied in plain sawn wood

❖	B
❖	C
❖	H
❖	L
❖	M
❖	O
☆	QS
❖	U



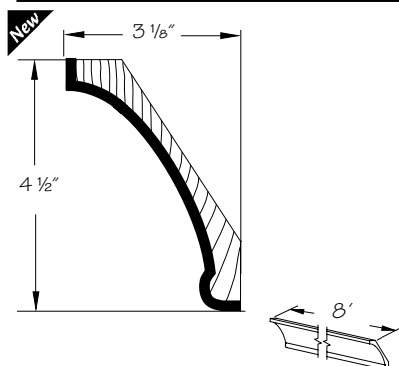
Large Crown Molding w/Molding Mounting Strip

(price book pg. L10)

LCM8-MS

- Solid wood
- Will have rustic characteristics when ordered in rustic door styles.
- ☆ Quartersawn door styles will be supplied in plain sawn wood

❖	B
❖	C
❖	H
❖	L
❖	M
❖	O
☆	QS
❖	U



Extra Large Cove Molding

(price book pg. L10)

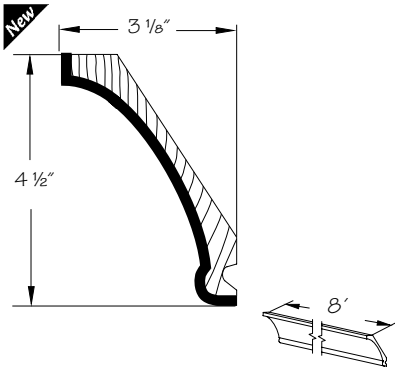
XLCVM8-NG

Color coding indicates new product, size or code

- Solid wood
- ☆ Laminates are foil wrapped MDF
- ☆ Quartersawn door styles will be supplied in plain sawn wood

❖	B
❖	C
❖	H
☆	L
❖	M
❖	O
☆	QS
❖	U

Note: Heavy, dark lines indicate finished surfaces.



Extra Large Cove Molding w/Mounting Strip

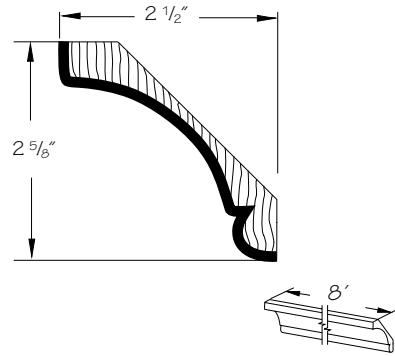
(price book pg. L10)

XLCVM8 -MS

Color coding indicates new product, size or code

- Solid wood
- ☆ Laminate door styles are foil wrapped MDF
- ☆ Quartersawn door styles will be supplied in plain sawn wood

❖	B
❖	C
❖	H
☆	L
❖	M
❖	O
☆	QS
❖	U



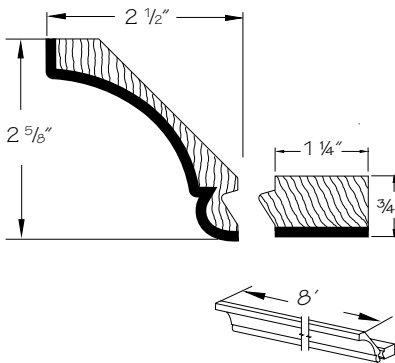
Large Cove Molding

(price book pg. L10)

LCVM8 -NG

- Solid wood
- Laminates are foil wrapped MDF
- ☆ Quartersawn door styles will be supplied in plain sawn wood

❖	B
❖	C
❖	H
❖	L
❖	M
❖	O
☆	QS
❖	U



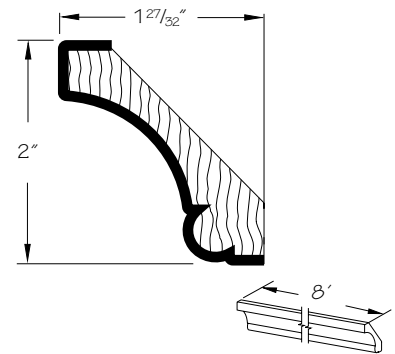
Large Cove Molding w/Molding Mounting Strip

(price book pg. L10)

LCVM8 -MS

- Solid wood
- Mounting strip may be installed first, allowing for easier alignment and quicker installation of grooved moldings
- Shipped separately
- ☆ Quartersawn door styles will be supplied in plain sawn wood

❖	B
❖	C
❖	H
	L
❖	M
❖	O
☆	QS
❖	U



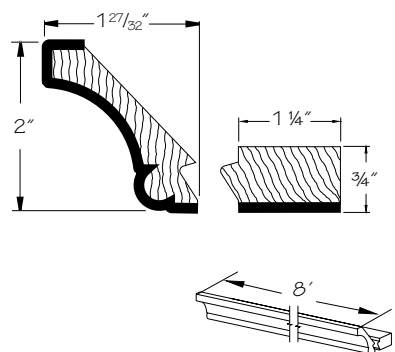
Small Cove Molding

(price book pg. L10)

SCVM8 -NG

- Solid wood
- Laminates are foil wrapped MDF
- ☆ Quartersawn door styles will be supplied in plain sawn wood

❖	B
❖	C
❖	H
❖	L
❖	M
❖	O
☆	QS
❖	U



Small Cove Molding w/Molding Mounting Strip

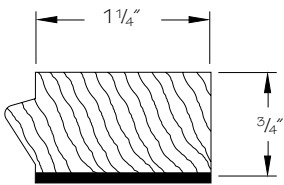
(price book pg. L10)

SCVM8 -MS

- Solid wood
- Mounting strip may be installed first, allowing for easier alignment and quicker installation of grooved moldings
- Shipped separately
- ☆ Quartersawn door styles will be supplied in plain sawn wood

❖	B
❖	C
❖	H
	L
❖	M
❖	O
☆	QS
❖	U

Note: Heavy, dark lines indicate finished surfaces.

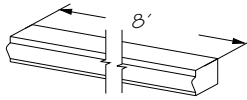


Molding Mounting Strip

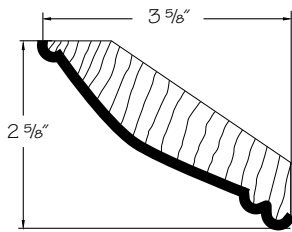
(price book pg. L10)

MS8

- Solid wood
- Mounting strip may be installed first, allowing for easier alignment and quicker installation of grooved moldings
- Works with CM8•MS, CCM8•MS, LCV8•MS and SCVM8•MS
- ☆ Quartersawn door styles will be supplied in plain sawn wood



❖	B
❖	C
❖	H
	L
❖	M
❖	O
☆	QS
❖	U

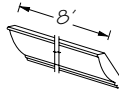


Large Federal Molding

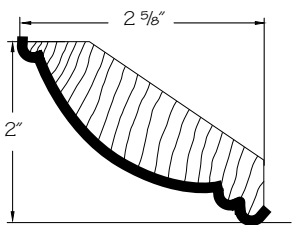
(price book pg. L10)

LFD8

- Can be installed with double bead on top or bottom
- Solid wood



	B
❖	C
	H
	L
❖	M
	O
	QS
	U

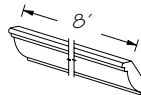


Small Federal Molding

(price book pg. L10)

SFDM8

- Solid wood
- Can be installed with double bead on top or bottom



	B
❖	C
	H
	L
❖	M
	O
	QS
	U

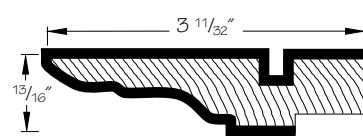
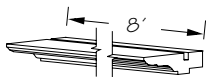


Plate Rail

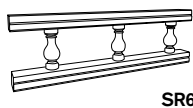
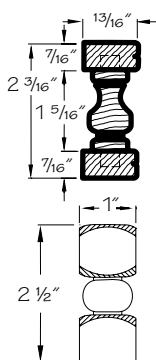
(price book pg. L10)

PR8

- Solid wood
- Laminates are painted hardwood
- ☆ Quartersawn door styles will be supplied in plain sawn wood



❖	B
❖	C
❖	H
❖	L
❖	M
❖	O
☆	QS
❖	U



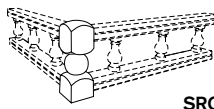
Spindle Rail

(price book pg. L10)

SR6 6' in length

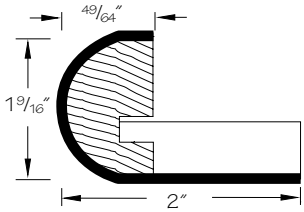
SRC

- Solid wood
- Laminates are painted hardwood
- ☆ Maple supplied for Birch and Cherry
- ☆ Oak supplied for Hickory
- ☆ Quartersawn door styles will be supplied in plain sawn wood



☆	B
☆	C
☆	H
❖	L
❖	M
❖	O
☆	QS
❖	U

Note: Heavy, dark lines indicate finished surfaces.



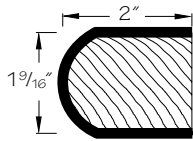
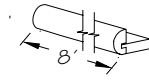
Contemporary Wood Crown

(price book pg. L11)

CWC8

- Solid wood
- Laminates are painted hardwood
- ☆ Quartersawn door styles will be supplied in plain sawn wood

❖	B
❖	C
❖	H
❖	L
❖	M
❖	O
☆	QS
❖	U



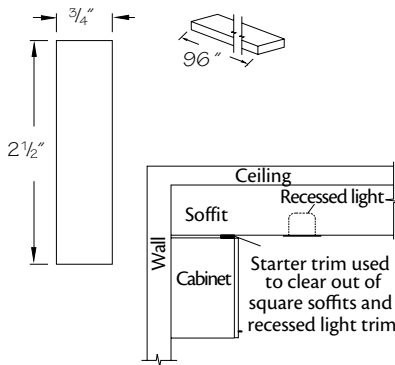
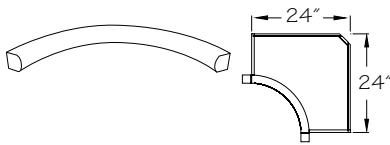
Contemporary Wood Crown-Curved

(price book pg. L11)

CWEC

- Solid wood
- Laminates are painted hardwood
- For use with WOSC
- ☆ Not available in Morristown; Melrose and Brockton are plain sawn wood

❖	B
❖	C
❖	H
❖	L
❖	M
❖	O
☆	QS
❖	U



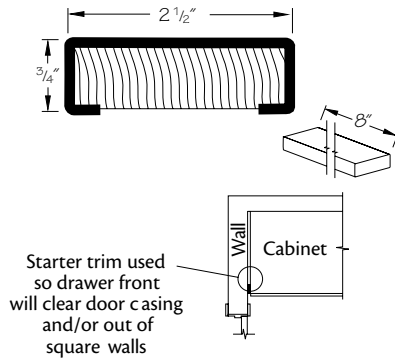
Starter Trim

(price book pg. L11)

ST8

- 3/4" melamine
- Edgedbanded one long edge

	B
	C
	H
❖	L
	M
	O
	QS
	U



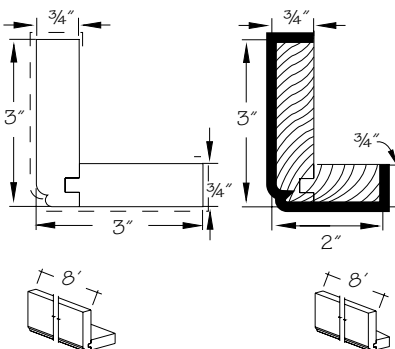
Starter Trim Mission

(price book pg. L11)

ST8 -M

- Quartersawn solid wood
- Available in quartersawn oak door styles only

	B
	C
	H
	L
	M
	O
❖	QS
	U



Starter Molding

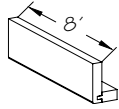
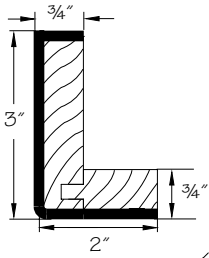
(price book pg. L11)

STR8

- Solid wood
- Laminates are foil wrapped MDF
- ☆ Quartersawn door styles will be supplied in plain sawn wood

❖	B
❖	C
❖	H
❖	L
❖	M
❖	O
☆	QS
❖	U

New



Mission Starter Molding

(price book pg. L11)

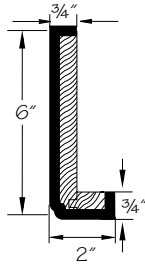
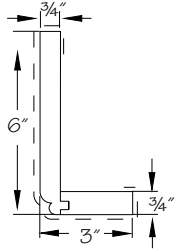
MSTR8

Color coding indicates new product, size or code

- Solid wood

B
❖ C
H
L
❖ M
O
❖ QS
U

Decorative Enhancements



Large Starter Molding

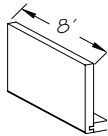
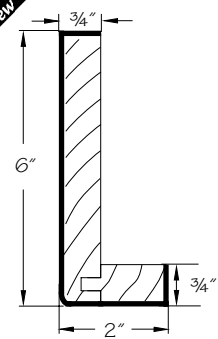
(price book pg. L11)

LSTR8

- Solid wood
- Laminates are foil wrapped MDF
- Will have rustic characteristics when ordered in rustic door styles.
- ☆ Quartersawn door styles will be supplied in plain sawn wood

❖ B
❖ C
❖ H
❖ L
❖ M
❖ O
☆ QS
❖ U

New



Mission Large Starter Molding

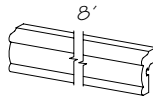
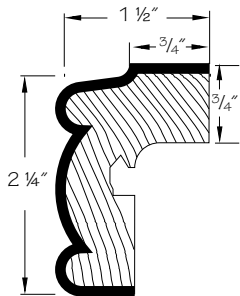
(price book pg. L11)

MLSTR8

Color coding indicates new product, size or code

- Solid wood

B
❖ C
H
L
❖ M
O
❖ QS
U



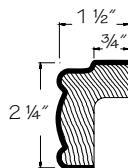
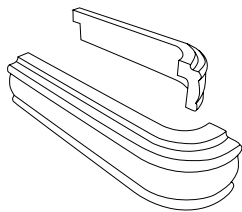
Light-Ready Molding-Traditional

(price book pg. L11)

TLR8

- Solid wood
- Laminates are foil wrapped MDF
- Groove accepts clips on fluorescent linkable lighting
- Laminates do not have groove
- ☆ Quartersawn door styles will be supplied in plain sawn wood

❖ B
❖ C
❖ H
❖ L
❖ M
❖ O
☆ QS
❖ U



Traditional Light Rail-WCEP

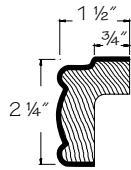
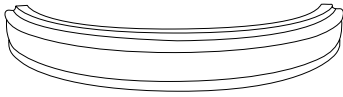
(price book pg. L11)

TLR R or L-WCEP

- Solid wood
- Laminates are painted hardwood
- For use with WEP-CEP
- ☆ Not available in Morrystown; Melrose and Brockton are plain sawn wood

❖ B
❖ C
❖ H
❖ L
❖ M
❖ O
☆ QS
❖ U

Note: Heavy, dark lines indicate finished surfaces.



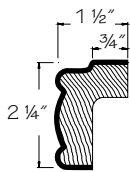
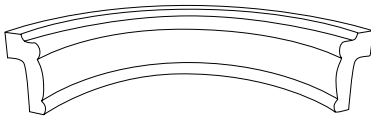
Traditional Light Rail-WEC

(price book pg. L11)

TLR -WEC

- Solid wood
- For use with WEC-CDO
- ☆ Note: Selected cherry door styles only

❖	B
☆	C
	H
	L
	M
	O
	QS
❖	U



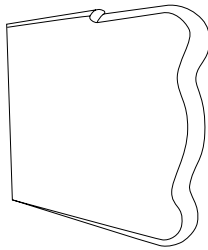
Traditional Light Rail-WOSC

(price book pg. L11)

TLR -WOSC

- Solid wood
- Laminates are painted hardwood
- For use with WOSC and WA-CDO
- ☆ Not available in Morristown; Melrose and Brockton are plain sawn wood

❖	B
❖	C
❖	H
❖	L
❖	M
❖	O
☆	QS
❖	U



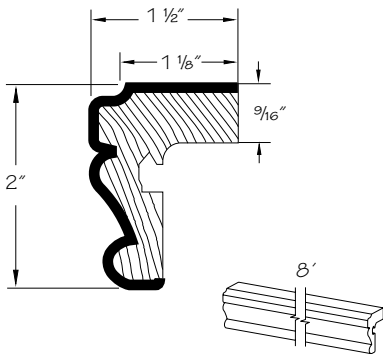
Traditional Light Rail-Accent Wafer

(price book pg. L11)

TLRAW

- Solid wood
- Laminates are painted hardwood
- ☆ Maple supplied for Birch
- ☆ Quartersawn door styles will be supplied in plain sawn wood

☆	B
❖	C
❖	H
❖	L
❖	M
❖	O
☆	QS
❖	U



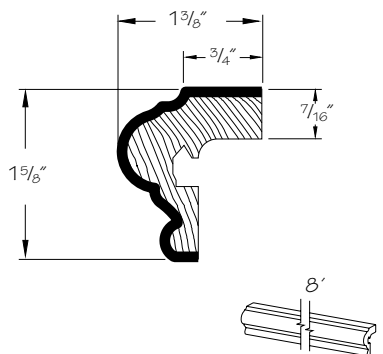
Light-Ready Molding-Large Cove

(price book pg. L11)

LCVLR8

- Solid wood
- Laminates are painted hardwood
- Groove accepts clips on fluorescent linkable lighting
- ☆ Quartersawn door styles will be supplied in plain sawn wood

❖	B
❖	C
❖	H
❖	L
❖	M
❖	O
☆	QS
❖	U



Light-Ready Molding-Small Cove

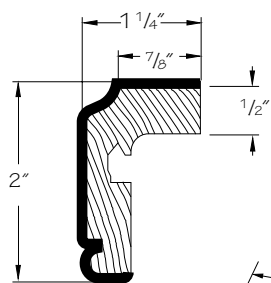
(price book pg. L11)

SCVLR8

- Solid wood
- Laminates are painted hardwood
- Groove accepts clips on fluorescent linkable lighting
- ☆ Quartersawn door styles will be supplied in plain sawn wood

❖	B
❖	C
❖	H
❖	L
❖	M
❖	O
☆	QS
❖	U

Note: Heavy, dark lines indicate finished surfaces.



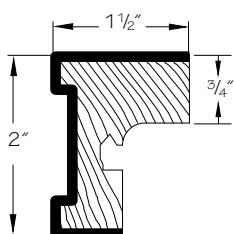
Light-Ready Molding-Large Beaded

(price book pg. L11)

LBLR8

- Solid wood
- Laminates are painted hardwood
- Groove accepts clips on fluorescent linkable lighting
- ☆ Quartersawn door styles will be supplied in plain sawn wood

❖	B
❖	C
❖	H
❖	L
❖	M
❖	O
☆	QS
❖	U



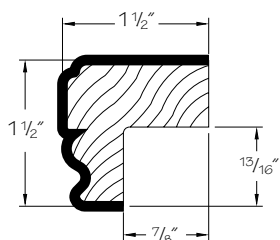
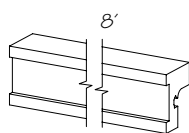
Mission Light Rail

(price book pg. L11)

MLR8

- Solid wood
- Laminates are painted hardwood
- Groove accepts clips on fluorescent linkable lighting

❖	B
❖	C
❖	H
❖	L
❖	M
❖	O
❖	QS
❖	U



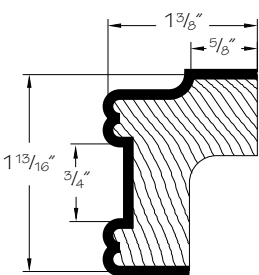
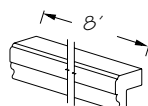
Beaded Light Rail

(price book pg. L11)

BLR8

- Solid wood
- Laminates are painted hardwood
- ☆ Quartersawn door styles will be supplied in plain sawn wood

❖	B
❖	C
❖	H
❖	L
❖	M
❖	O
☆	QS
❖	U



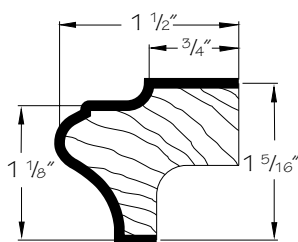
Inset Light Rail

(price book pg. L11)

ILR8

- Solid wood
- Allows application of 3/4" inserts
- Laminates are foil wrapped MDF
- ☆ Quartersawn door styles will be supplied in plain sawn wood

❖	B
❖	C
❖	H
❖	L
❖	M
❖	O
☆	QS
❖	U



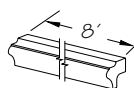
Cove Light Rail

(price book pg. L11)

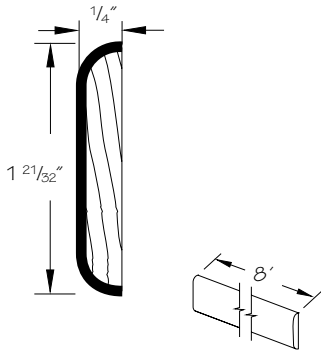
CVLR8

- Solid wood
- Laminates are foil wrapped MDF
- ☆ Quartersawn door styles will be supplied in plain sawn wood

❖	B
❖	C
❖	H
❖	L
❖	M
❖	O
☆	QS
❖	U



Note: Heavy, dark lines indicate finished surfaces.



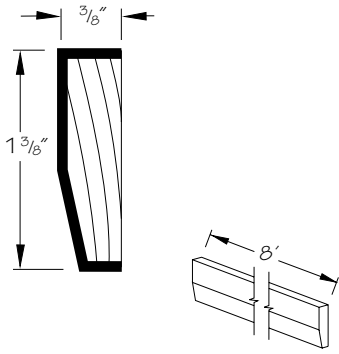
Batten Molding

(price book pg. L12)

BM8

- Solid wood
- Laminates are foil wrapped MDF
- ☆ Quartersawn door styles will be supplied in plain sawn wood

❖	B
❖	C
❖	H
❖	L
❖	M
❖	O
☆	QS
❖	U



Mission Batten Molding

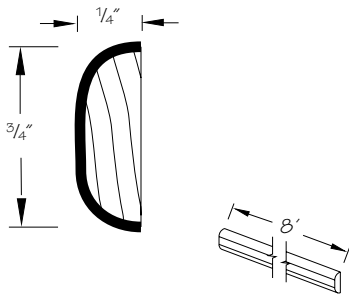
(price book pg. L12)

MBM8

Color coding indicates new product, size or code

- Solid wood

	B
❖	C
	H
	L
❖	M
	O
❖	QS
	U



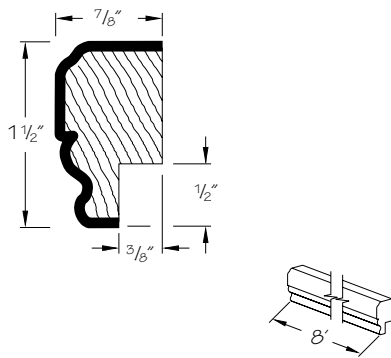
Narrow Batten Molding

(price book pg. L12)

NBM8

- Solid wood
- Laminates are foil wrapped MDF
- ☆ Quartersawn door styles will be supplied in plain sawn wood

❖	B
❖	C
❖	H
❖	L
❖	M
❖	O
☆	QS
❖	U



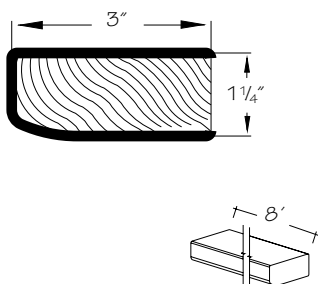
Beaded Panel Molding

(price book pg. L12)

BPM8

- Solid wood
- Laminates are foil wrapped MDF
- ☆ Quartersawn door styles will be supplied in plain sawn wood

❖	B
❖	C
❖	H
❖	L
❖	M
❖	O
☆	QS
❖	U



Shaped Molding

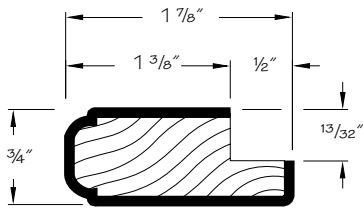
(price book pg. L12)

SHM8

- Solid wood
- Laminates are foil wrapped MDF
- ☆ Quartersawn door styles will be supplied in plain sawn wood

❖	B
❖	C
❖	H
❖	L
❖	M
❖	O
☆	QS
❖	U

Note: Heavy, dark lines indicate finished surfaces.



Cabinet Panel Edge

(price book pg. L12)

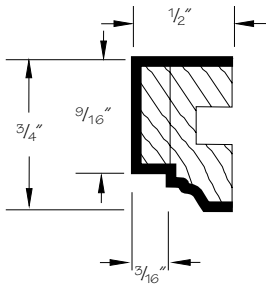
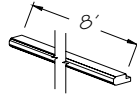
CPE8

- Solid wood
- Laminates are painted hardwood
- ☆ Quartersawn door styles will be supplied in plain sawn wood



Remember to account for miter cuts and returns when choosing the amount of molding needed for a job.

❖	B
❖	C
❖	H
❖	L
❖	M
❖	O
☆	QS
❖	U

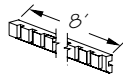


Dentil Edging

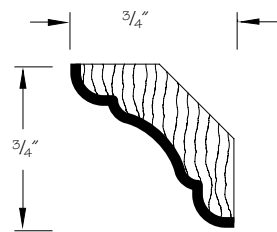
(price book pg. L12)

DE8

- Solid wood
- Laminates are painted hardwood
- ☆ Quartersawn door styles will be supplied in plain sawn wood



❖	B
❖	C
❖	H
❖	L
❖	M
❖	O
☆	QS
❖	U

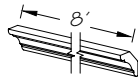


Inside Corner Molding

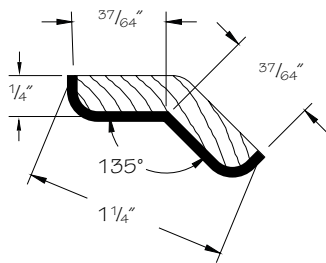
(price book pg. L12)

ICM8

- Solid wood
- Laminates are foil wrapped MDF
- ☆ Quartersawn door styles will be supplied in plain sawn wood



❖	B
❖	C
❖	H
❖	L
❖	M
❖	O
☆	QS
❖	U

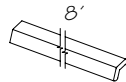


Angled Inside Corner Molding

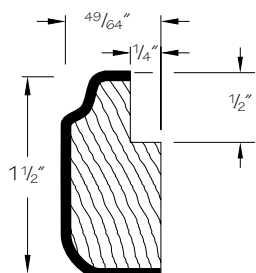
(price book pg. L12)

AICM8

- Solid wood
- Laminates are foil wrapped MDF
- ☆ Quartersawn door styles will be supplied in plain sawn wood



❖	B
❖	C
❖	H
❖	L
❖	M
❖	O
☆	QS
❖	U

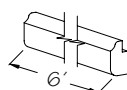


Mirror Molding

(price book pg. L12)

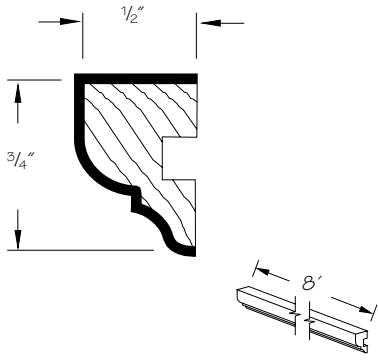
MM6

- Solid wood
- Laminates are painted hardwood
- ☆ Quartersawn door styles will be supplied in plain sawn wood



❖	B
❖	C
❖	H
❖	L
❖	M
❖	O
☆	QS
❖	U

Note: Heavy, dark lines indicate finished surfaces.



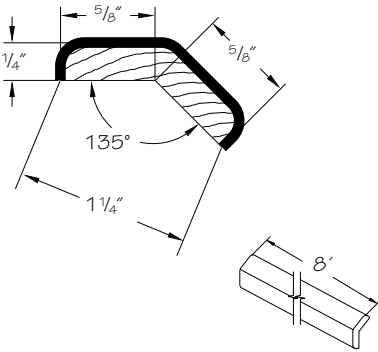
Ogee Edging

(price book pg. L12)

OGE8

- Solid wood
- Laminates are foil wrapped MDF
- ☆ Quartersawn door styles will be supplied in plain sawn wood

❖	B
❖	C
❖	H
❖	L
❖	M
❖	O
☆	QS
❖	U



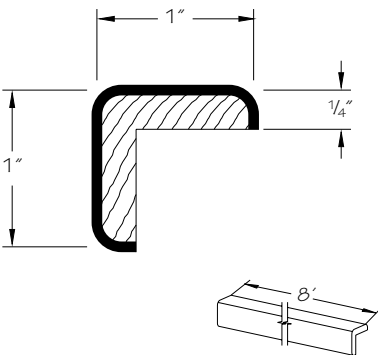
Angled Outside Corner Molding

(price book pg. L12)

AOSC8

- Solid wood
- Laminates are foil wrapped MDF
- ☆ Quartersawn door styles will be supplied in plain sawn wood

❖	B
❖	C
❖	H
❖	L
❖	M
❖	O
☆	QS
❖	U



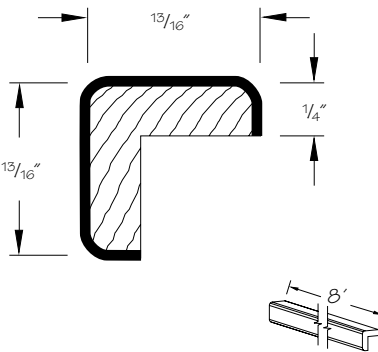
Large Outside Corner Molding

(price book pg. L12)

LOSC8

- Solid wood
- Laminates are foil wrapped MDF
- ☆ Quartersawn door styles will be supplied in plain sawn wood

❖	B
❖	C
❖	H
❖	L
❖	M
❖	O
☆	QS
❖	U



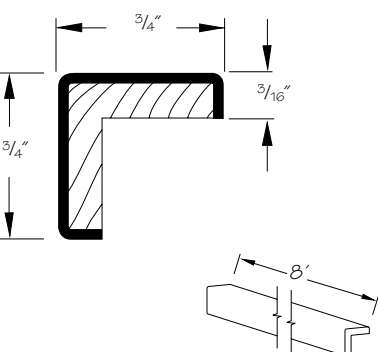
Outside Corner Molding

(price book pg. L12)

OSC8

- Solid wood
- Laminates are foil wrapped MDF
- OSC8 is 1" x 1" when ordered in laminate doors styles
- ☆ Quartersawn door styles will be supplied in plain sawn wood

❖	B
❖	C
❖	H
❖	L
❖	M
❖	O
☆	QS
❖	U



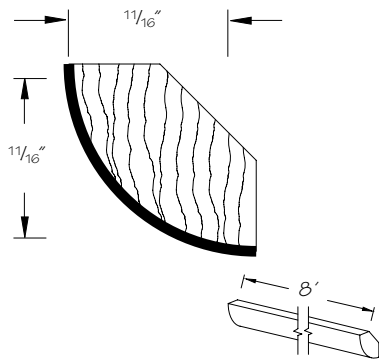
Mission Outside Corner

(price book pg. L12)

MOSC8

- Color coding indicates new product, size or code
- Solid wood

❖	B
❖	C
❖	H
❖	L
❖	M
❖	O
❖	QS
❖	U



Quarter Round Molding

(price book pg. L12)

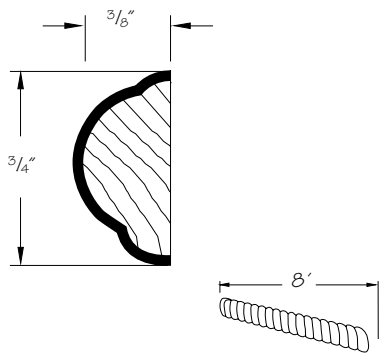
QR8

- Solid wood
- Laminates are foil wrapped MDF
- ☆ Quartersawn door styles will be supplied in plain sawn wood



Apply Quarter Round molding (QR8) at the base of Matching Toe Kicks or Wood Matching Toe Kicks (MTK8 or WMTK8) for a nice, finished look.

❖	B
❖	C
❖	H
❖	L
❖	M
❖	O
❖	QS
❖	U



Rope Molding

(price book pg. L12)

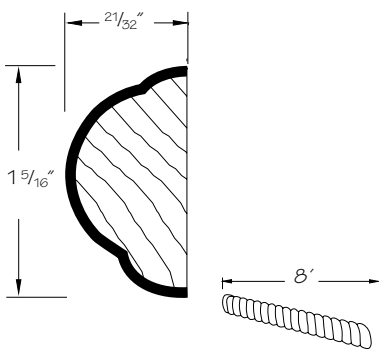
RM8

- Solid wood
- Laminates are painted hardwood
- ☆ Oak supplied for Hickory
- ☆ Quartersawn door styles will be supplied in plain sawn wood



Applying Rope Molding (RM8) or Dentil Edging (DE8) to the inlay of Classic Crown Molding (CCM8) before making cuts will enable you to condense two cuts into one.

❖	B
❖	C
☆	H
❖	L
❖	M
❖	O
☆	QS
❖	U



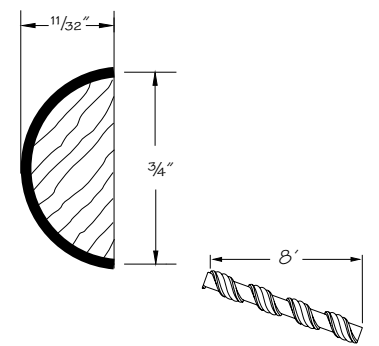
Large Rope Molding

(price book pg. L12)

LRM8

- Solid wood
- Apply with small brad
- Laminates are painted hardwood
- ☆ Quartersawn door styles will be supplied in plain sawn wood

❖	B
❖	C
❖	H
❖	L
❖	M
❖	O
☆	QS
❖	U



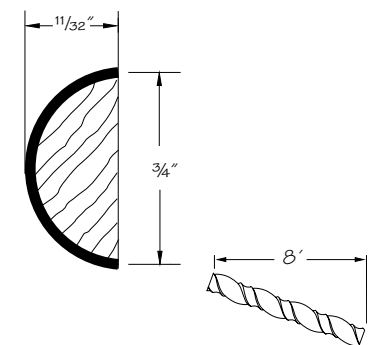
Casual Twist Molding

(price book pg. L13)

CATM8

- Solid wood
- Apply with small brad

	B
	C
	H
	L
❖	M
	O
	QS
	U



Classic Twist Molding

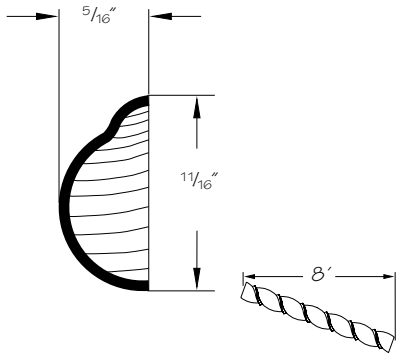
(price book pg. L13)

CLTM8

- Solid wood
- Apply with small brad

	B
❖	C
	H
	L
	M
	O
	QS
	U

Note: Heavy, dark lines indicate finished surfaces.



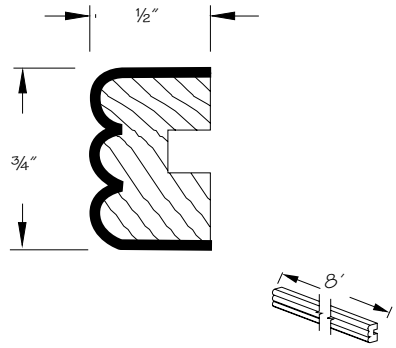
Ribbon Twist Molding

(price book pg. L13)

RTM8

- Solid wood
- Carved
- Laminates are painted hardwood
- ☆ Beech supplied for Hickory, Oak and Quartersawn Oak
- ☆ Maple supplied for Birch

☆	B
❖	C
☆	H
❖	L
❖	M
☆	O
☆	QS
❖	U



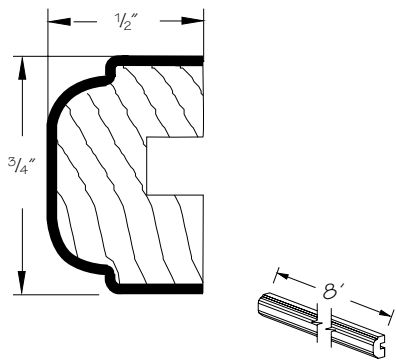
Triple Bead Edging

(price book pg. L13)

TBE8

- Solid wood
- Laminates are foil wrapped MDF
- ☆ Quartersawn door styles will be supplied in plain sawn wood

❖	B
❖	C
❖	H
❖	L
❖	M
❖	O
☆	QS
❖	U



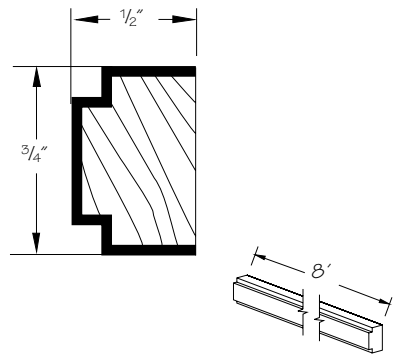
Single Bead Edging

(price book pg. L13)

SBE8

- Solid wood
- Laminates are foil wrapped MDF
- ☆ Quartersawn door styles will be supplied in plain sawn wood

❖	B
❖	C
❖	H
❖	L
❖	M
❖	O
☆	QS
❖	U



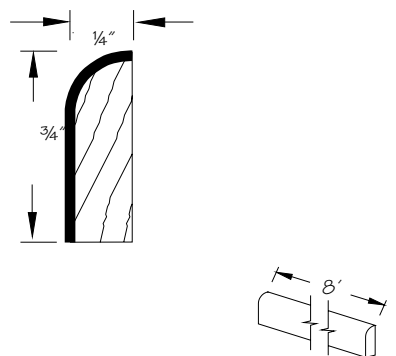
Mission Single Bead Edging

(price book pg. L13)

MSBE8

- Color coding indicates new product, size or code*
- Solid wood

	B
❖	C
	H
	L
❖	M
	O
❖	QS
	U



Scribe Molding

(price book pg. L13)

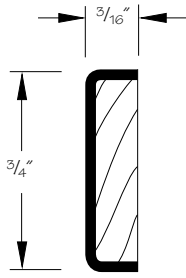
SM8

- Solid wood
- Laminates are foil wrapped MDF
- ☆ Quartersawn door styles will be supplied in plain sawn wood



Let your customers know if they have left-over pieces of scribe molding (SM8) to consider using them to finish the ends of exposed matching toe kick.

❖	B
❖	C
❖	H
❖	L
❖	M
❖	O
☆	QS
❖	U



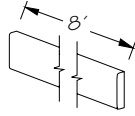
Mission Scribe Molding

(price book pg. L13)

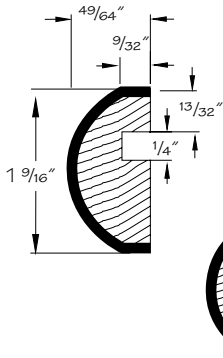
MSM8

Color coding indicates new product, size or code

- Solid wood



B
❖ C
H
L
❖ M
O
❖ QS
U

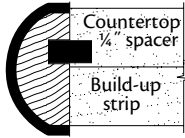
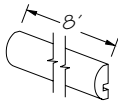


Contemporary Wood Edge

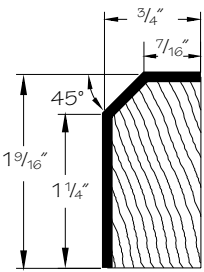
(price book pg. L13)

CWE8

- Solid wood
- Laminates are painted hardwood
- ☆ Quartersawn door styles will be supplied in plain sawn wood



❖ B
❖ C
❖ H
❖ L
❖ M
❖ O
☆ QS
❖ U

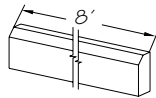


Angled Wood Edge

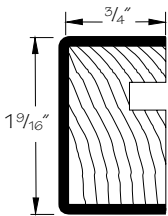
(price book pg. L13)

AWE8

- Solid wood
- Laminates are painted hardwood
- ☆ Quartersawn door styles will be supplied in plain sawn wood



❖ B
❖ C
❖ H
❖ L
❖ M
❖ O
☆ QS
❖ U



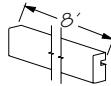
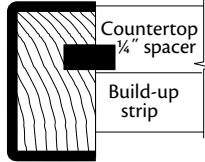
Mission Flat Wood Edge

(price book pg. L13)

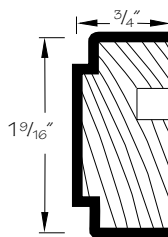
MFWE8

Color coding indicates new product, size or code

- Solid wood



B
❖ C
H
L
❖ M
O
❖ QS
U



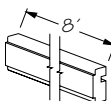
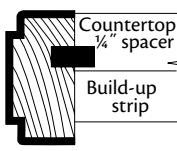
Mission Single Bead Wood Edge

(price book pg. L13)

MSBWE8

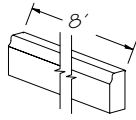
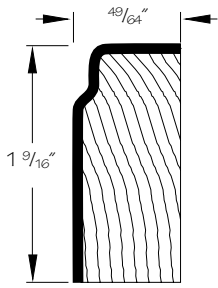
Color coding indicates new product, size or code

- Solid wood



B
❖ C
H
L
❖ M
O
❖ QS
U

Note: Heavy, dark lines indicate finished surfaces.



Traditional Wood Edge

(price book pg. L13)

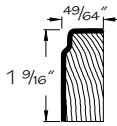
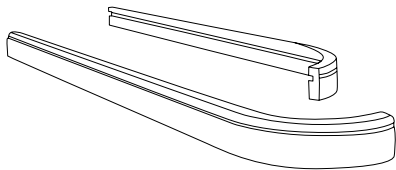
TWE8

- Solid wood
- Laminates are painted hardwood
- ☆ Quartersawn door styles will be supplied in plain sawn wood



When using wood edge molding to rim a countertop, be sure to seal the back edge of the molding prior to installing the edge to the top. This will help prevent moisture from entering the molding and damaging it.

❖	B
❖	C
❖	H
❖	L
❖	M
❖	O
☆	QS
❖	U



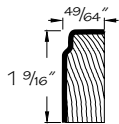
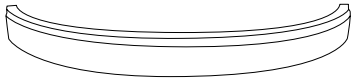
Traditional Wood Edge-BCEP

(price book pg. L13)

TWE R or L-BCEP

- Solid wood
- Laminates are painted hardwood
- For use with BEP3-CEP
- ☆ Not available in Morristown; Melrose and Brockton are plain sawn wood

❖	B
❖	C
❖	H
❖	L
❖	M
❖	O
☆	QS
❖	U



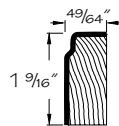
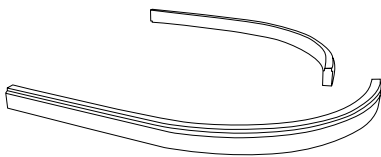
Traditional Wood Edge-BEC

(price book pg. L13)

TWE-BEC

- Solid wood
- For use with BEC-CDO
- ☆ Note: Selected cherry door styles only

	B
☆	C
	H
	L
	M
	O
	QS
❖	U



Traditional Wood Edge-BEOS

(price book pg. L13)

TWE R or L-BEOS

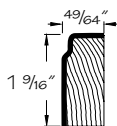
- For use with BEOS

TWE-PBEOS

- TWE-BEOSR and TWE-BEOSL creates TWE-PBEOS
- For use with PBEOS

- Solid wood
- Laminates are painted hardwood
- ☆ Not available in Morristown; Melrose and Brockton are plain sawn wood

❖	B
❖	C
❖	H
❖	L
❖	M
❖	O
☆	QS
❖	U



Traditional Wood Edge-EZR

(price book pg. L13)

TWE-EZR

- Solid wood
- For use with EZR-CDO
- ☆ Note: Selected cherry door styles only

	B
☆	C
	H
	L
	M
	O
	QS
❖	U

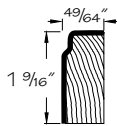


Traditional Wood Edge-WEC

(price book pg. L13)

TWE -WEC

- Solid wood
- For use with WEC-CDO
- ☆ Note: Selected cherry door styles only



❖	B
☆	C
	H
	L
	M
	O
	QS
❖	U

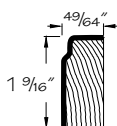


Traditional Wood Edge-WOSC

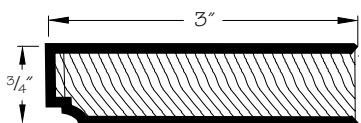
(price book pg. L13)

TWE -WOSC

- Solid wood
- Laminates are painted hardwood
- For use with WOSC and WA-CDO
- ☆ Not available in Morristown; Melrose and Brockton are plain sawn wood



❖	B
❖	C
❖	H
❖	L
❖	M
❖	O
☆	QS
❖	U

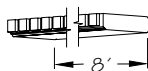


Dentil Molding

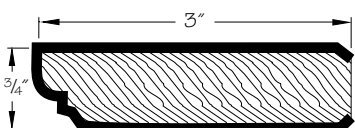
(price book pg. L14)

DM8

- Solid wood
- Laminates are painted hardwood
- ☆ Quartersawn door styles will be supplied in plain sawn wood



❖	B
❖	C
❖	H
❖	L
❖	M
❖	O
☆	QS
❖	U

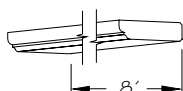


Ogee Molding

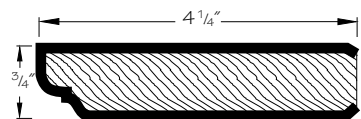
(price book pg. L14)

OGM8

- Solid wood
- Laminates are foil wrapped MDF
- ☆ Quartersawn door styles will be supplied in plain sawn wood



❖	B
❖	C
❖	H
❖	L
❖	M
❖	O
☆	QS
❖	U



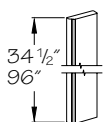
Ogee Pilaster

(price book pg. L14)

OGP3

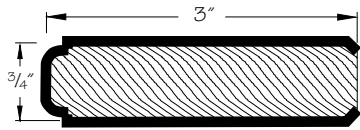
OGP8

- Solid wood
- Laminates are foil wrapped MDF
- ☆ Quartersawn door styles will be supplied in plain sawn wood



❖	B
❖	C
❖	H
❖	L
❖	M
❖	O
☆	QS
❖	U

Note: Heavy, dark lines indicate finished surfaces.



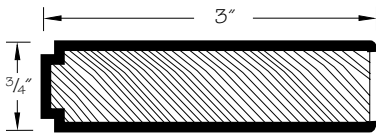
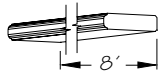
Single Bead Molding

(price book pg. L14)

SBM8

- Solid wood
- Laminates are foil wrapped MDF
- ☆ Quartersawn door styles will be supplied in plain sawn wood

❖	B
❖	C
❖	H
❖	L
❖	M
❖	O
☆	QS
❖	U



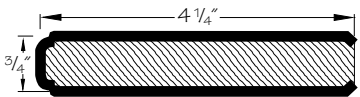
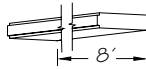
Mission Single Bead Molding

(price book pg. L14)

MSBM8

- Color coding indicates new product, size or code
- Solid wood

	B
❖	C
	H
	L
❖	M
	O
❖	QS
	U



Single Bead Pilaster

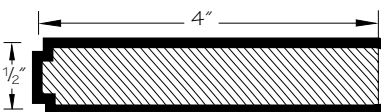
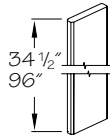
(price book pg. L14)

SBP3

SBP8

- Solid wood
- Laminates are foil wrapped MDF
- ☆ Quartersawn door styles will be supplied in plain sawn wood

❖	B
❖	C
❖	H
❖	L
❖	M
❖	O
☆	QS
❖	U



Mission Single Bead Pilaster

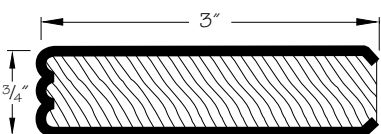
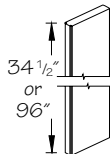
(price book pg. L14)

MSBP3

MSBP8

- Color coding indicates new product, size or code
- Solid wood

	B
❖	C
	H
	L
❖	M
	O
❖	QS
	U



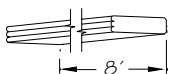
Triple Bead Molding

(price book pg. L14)

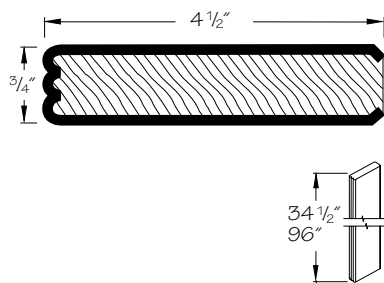
TBM8

- Solid wood
- Laminates are foil wrapped MDF
- ☆ Quartersawn door styles will be supplied in plain sawn wood

❖	B
❖	C
❖	H
❖	L
❖	M
❖	O
☆	QS
❖	U



Note: Heavy, dark lines indicate finished surfaces.



Triple Bead Pilaster

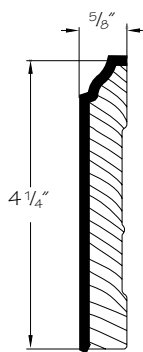
(price book pg. L14)

TBP3

TBP8

- Solid wood
- Laminates are foil wrapped MDF
- ☆ Quartersawn door styles will be supplied in plain sawn wood

❖	B
❖	C
❖	H
❖	L
❖	M
❖	O
☆	QS
❖	U

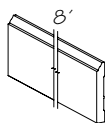


Cove Base Board

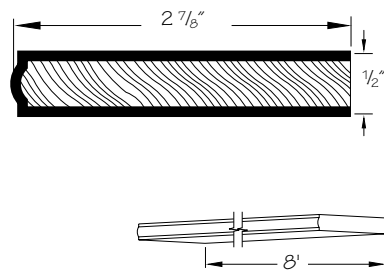
(price book pg. L14)

CVBB8

- Solid wood
- Laminates are foil wrapped MDF
- ☆ Quartersawn door styles will be supplied in plain sawn wood



❖	B
❖	C
❖	H
❖	L
❖	M
❖	O
☆	QS
❖	U



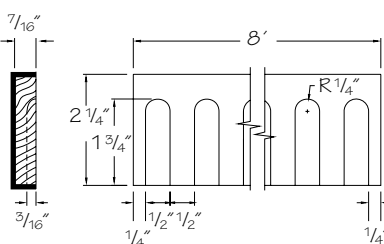
Stack Molding

(price book pg. L14)

STM8

- Solid wood
- Laminates are foil wrapped MDF
- ☆ Quartersawn door styles will be supplied in plain sawn wood

❖	B
❖	C
❖	H
❖	L
❖	M
❖	O
☆	QS
❖	U



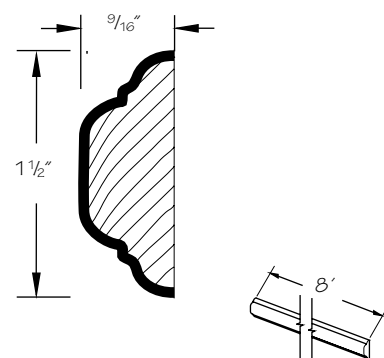
Wide Dentil Molding

(price book pg. L14)

WDM8

- Solid wood
- Laminates are painted hardwood
- ☆ Quartersawn door styles will be supplied in plain sawn wood

❖	B
❖	C
❖	H
❖	L
❖	M
❖	O
☆	QS
❖	U



Chair Rail

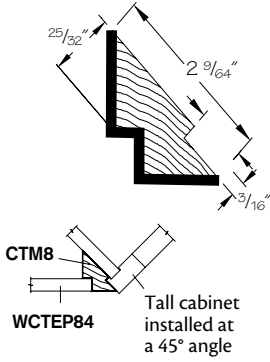
(price book pg. L14)

CR8

- Solid wood
- Laminates are painted hardwood
- Designed to overlay LM8
- ☆ Quartersawn door styles will be supplied in plain sawn wood

❖	B
❖	C
❖	H
❖	L
❖	M
❖	O
☆	QS
❖	U

Note: Heavy, dark lines indicate finished surfaces.



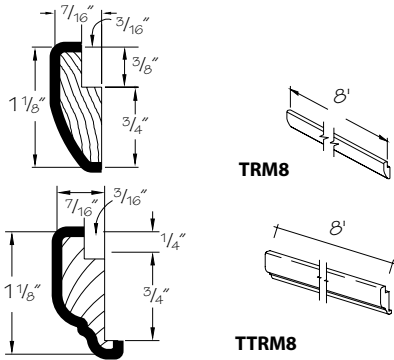
Corner Tall Molding

(price book pg. L14)

CTM8

- Solid wood
- Laminates are painted hardwood
- Note: For use with WCTEP 84 or 96 only; will not work with WTEP
- See Option #2 in Diagonal Installation of Standard Tall Cabinets in this book
- ☆ Maple supplied for Birch
- ☆ Oak supplied for Hickory
- ☆ Quartersawn door styles will be supplied in plain sawn wood

☆	B
❖	C
☆	H
☆	L
❖	M
☆	O
☆	QS
❖	U



Transition Molding

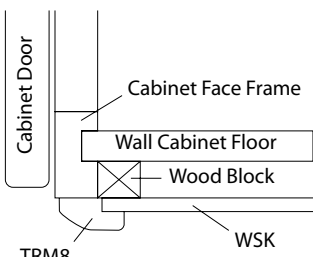
(price book pg. L14)

TRM8

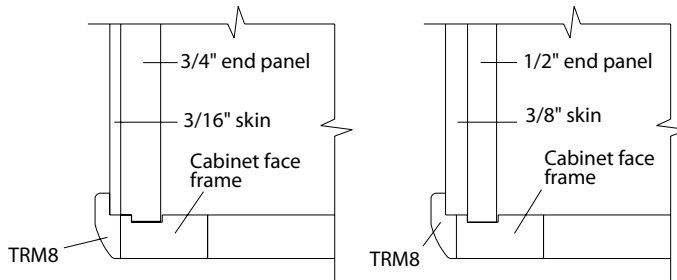
TTRM8

- Solid wood
- Laminates are painted hardwood
- Allows a 3/16" skin to be applied to a cabinet with 3/4" end panels
- Allows a 3/8" skin to be applied to a cabinet with 1/2" end panels
- ☆ Quartersawn door styles will be supplied in plain sawn wood

❖	B
❖	C
❖	H
❖	L
❖	M
❖	O
☆	QS
❖	U

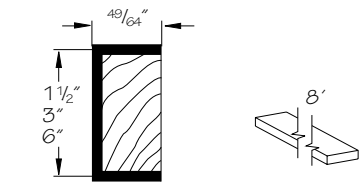


Side view of Wall Cabinet application.
Use additional TRM8 or SM8 where cabinet meets wall.



Side View

Top Views



Solid Stock

(price book pg. L14)

☆ S3S1

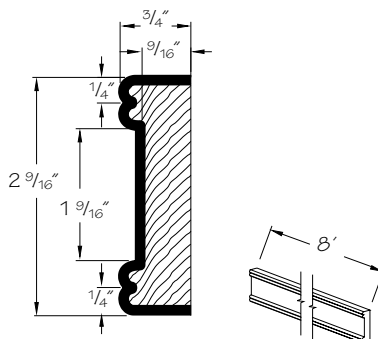
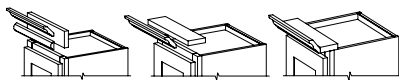
☆ S3S3

S3S6

- ☆ Quartersawn door styles will be supplied in plain sawn wood

- Solid wood
- Laminates are painted hardwood
- Use solid stock material as finished nailing strip for molding applications

❖	B
❖	C
❖	H
❖	L
❖	M
❖	O
☆	QS
❖	U



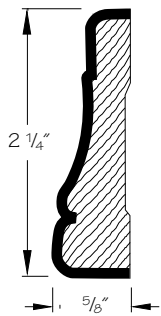
Library Molding

(price book pg. L14)

LM8

- Solid wood
- Laminates are painted hardwood
- ☆ Quartersawn door styles will be supplied in plain sawn wood

❖	B
❖	C
❖	H
❖	L
❖	M
❖	O
☆	QS
❖	U



Traditional Casing

(price book pg. L14)

TCS4

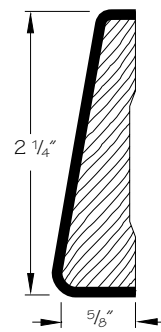
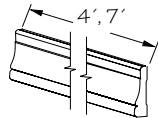
TCS7

- Solid wood
- Laminates are painted hardwood
- ☆ Quartersawn door styles will be supplied in plain sawn wood



Remember to account for miter cuts and returns when choosing the amount of molding needed for a job.

❖	B
❖	C
❖	H
☆	L
❖	M
❖	O
☆	QS
❖	U



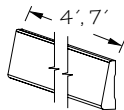
Modern Casing

(price book pg. L14)

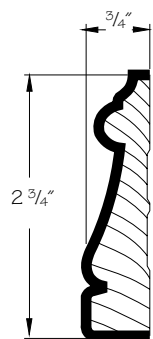
MCS4

MCS7

- Solid wood
- Laminates are painted hardwood
- ☆ Quartersawn door styles will be supplied in plain sawn wood



❖	B
❖	C
❖	H
❖	L
❖	M
❖	O
☆	QS
❖	U

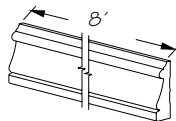


Large Cove Casing

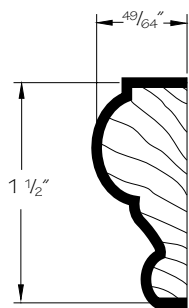
(price book pg. L15)

LCVCS8

- Solid wood
- Laminates are foil wrapped MDF
- ☆ Quartersawn door styles will be supplied in plain sawn wood



❖	B
❖	C
❖	H
❖	L
❖	M
❖	O
☆	QS
❖	U

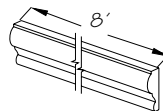


Small Cove Casing

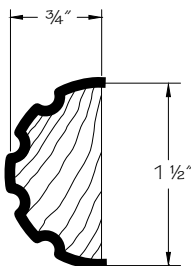
(price book pg. L15)

SCVCS8

- Solid wood
- Laminates are foil wrapped MDF
- ☆ Quartersawn door styles will be supplied in plain sawn wood



❖	B
❖	C
❖	H
❖	L
❖	M
❖	O
☆	QS
❖	U



Fluted Post Molding

(price book pg. L15)

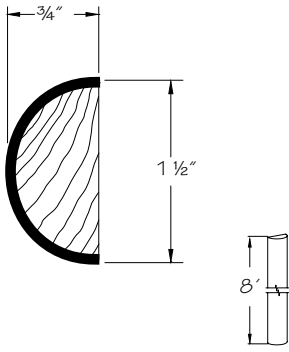
PMF8

- Solid wood
- Use with End Block Capital (EDBL) and End Spindle Capital (EDS) for a customizable decorative solution



	B
❖	C
	H
	L
❖	M
	O
	QS
	U

Note: Heavy, dark lines indicate finished surfaces.



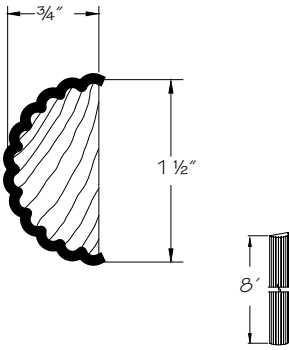
Plain Post Molding

(price book pg. L15)

PMP8

- Solid wood
- Use with End Block Capital (EDBL) and End Spindle Capital (EDS) for a customizable decorative solution

B
❖ C
H
L
❖ M
O
QS
U



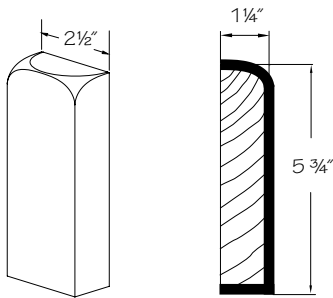
Reeded Post Molding

(price book pg. L15)

PMR8

- Solid wood
- Use with End Block Capital (EDBL) and End Spindle Capital (EDS) for a customizable decorative solution

B
❖ C
H
L
❖ M
O
QS
U



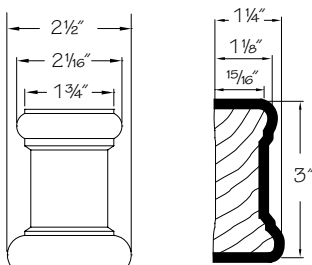
End Block Capital

(price book pg. L15)

EDBL

- Solid wood
- Use with Post Molding (PMF, PMP, PMR) for a customizable decorative solution

B
❖ C
H
L
❖ M
O
QS
U



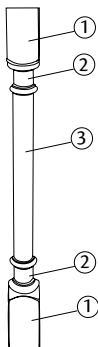
End Spindle Capital

(price book pg. L15)

EDS

- Solid wood
- Use with Post Molding (PMF, PMP, PMR) for a customizable decorative solution

B
❖ C
H
L
❖ M
O
QS
U



Post Molding Solution

1. End Block Capital
2. End Spindle Capital
3. Post Molding

B
C
H
L
M
O
QS
U

Note: Heavy, dark lines indicate finished surfaces.