

Molding Accents

Construction Options and Modifications

- B --- Birch
- C --- Cherry
- H --- Hickory
- L --- Laminates
- M --- Maple
- O --- Oak
- QS --- Quartersawn
- U --- Unfinished

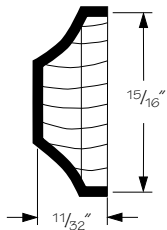
We offer numerous moldings for decorative and finished applications. Moldings are available in some or all wood species. See chart for coding.

Material thickness dimensions may be nominal based on lumber industry standards.

All molding ordered in quartersawn door styles will be supplied standard oak unless otherwise noted.

Specifications subject to change without notice.

CBE	8
code	length



8"



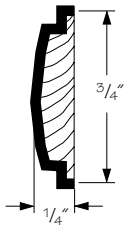
Small Dentil Insert

(price book pg. L15)

SDE8

- Solid wood
- Carved
- Laminates are painted hardwood
- Apply with small brad
- ☆ Maple supplied for Birch
- ☆ Beech supplied for Hickory
- ☆ Quartersawn door styles will be supplied in plain sawn wood

- ☆ B
- ❖ C
- ☆ H
- ❖ L
- ❖ M
- ❖ O
- ☆ QS
- ❖ U



8"



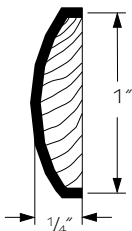
Swirl Insert

(price book pg. L15)

SW18

- Solid wood
- Carved
- Laminates are painted hardwood
- Apply with small brad
- ☆ Maple supplied for Birch
- ☆ Beech supplied for Hickory, Oak and Quartersawn Oak

- ☆ B
- ❖ C
- ☆ H
- ❖ L
- ❖ M
- ☆ O
- ☆ QS
- ❖ U



8"



Acanthus Insert

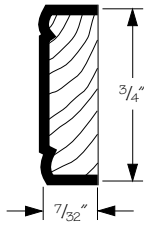
(price book pg. L15)

AS18

- Solid wood
- Embossed design
- Laminates are painted hardwood
- Apply with small brad
- ☆ Maple supplied for Birch
- ☆ Beech supplied for Hickory, Oak and Quartersawn Oak

- ☆ B
- ❖ C
- ☆ H
- ❖ L
- ❖ M
- ☆ O
- ☆ QS
- ❖ U

Note: Heavy, dark lines indicate finished surfaces.



8'



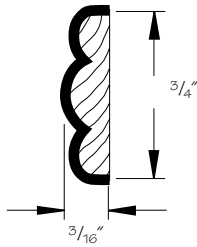
Aztec Insert

(price book pg. L15)

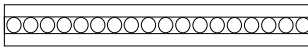
AZE8

- Solid wood
- Embossed design
- Laminates are painted hardwood
- Apply with small brad
- ☆ Maple supplied for Birch
- ☆ Beech supplied for Hickory, Oak and Quartersawn Oak

☆	B
❖	C
☆	H
❖	L
❖	M
☆	O
☆	QS
❖	U



8'



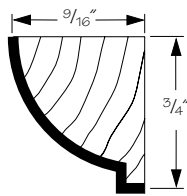
Center Beaded Insert

(price book pg. L15)

CBE8

- Solid wood
- Embossed design
- Laminates are painted hardwood
- Apply with small brad
- ☆ Maple supplied for Birch
- ☆ Beech supplied for Hickory, Oak and Quartersawn Oak

☆	B
❖	C
☆	H
❖	L
❖	M
☆	O
☆	QS
❖	U



8'



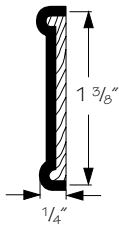
Egg and Dart Edge

(price book pg. L15)

EGE8

- Solid wood
- Carved
- Laminates are painted hardwood
- Apply with small brad
- ☆ Maple supplied for Birch
- ☆ Beech supplied for Hickory, Oak and Quartersawn Oak

☆	B
❖	C
☆	H
❖	L
❖	M
☆	O
☆	QS
❖	U



8'



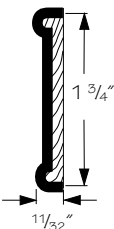
Geometric Insert

(price book pg. L15)

GEI8

- Solid wood
- Embossed design
- Laminates are painted hardwood
- Apply with small brad
- ☆ Maple supplied for Birch
- ☆ Beech supplied for Hickory, Oak and Quartersawn Oak

☆	B
❖	C
☆	H
❖	L
❖	M
☆	O
☆	QS
❖	U



8'



Ivy Insert

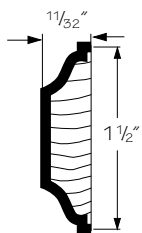
(price book pg. L15)

IVI8

- Solid wood
- Embossed design
- Laminates are painted hardwood
- Apply with small brad
- ☆ Maple supplied for Birch
- ☆ Beech supplied for Hickory, Oak and Quartersawn Oak

☆	B
❖	C
☆	H
❖	L
❖	M
☆	O
☆	QS
❖	U

Note: Heavy, dark lines indicate finished surfaces.



Large Dentil Insert

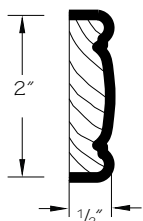
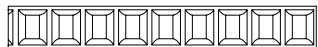
(price book pg. L15)

LDI8

- Solid wood
- Carved
- Laminates are painted hardwood
- Apply with small brad
- ☆ Maple supplied for Birch
- ☆ Beech supplied for Hickory, Oak and Quartersawn Oak

☆	B
❖	C
☆	H
❖	L
❖	M
☆	O
☆	QS
❖	U

8'



Braid Molding

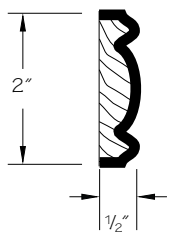
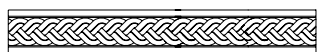
(price book pg. L16)

BRM8

- Solid wood
- Carved
- Laminates are painted hardwood
- Apply with small brad
- ☆ Oak supplied for Hickory
- ☆ Maple supplied for Birch
- ☆ Quartersawn door styles will be supplied in plain sawn wood

☆	B
❖	C
☆	H
❖	L
❖	M
❖	O
☆	QS
☆	U

8'



Olive Leaf Molding

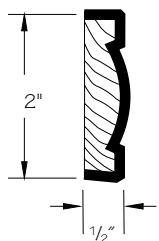
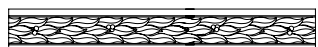
(price book pg. L16)

OLM8

- Solid wood
- Laminates are painted hardwood
- Carved
- Apply with small brad
- ☆ Oak supplied for Hickory
- ☆ Maple supplied for Birch
- ☆ Quartersawn door styles will be supplied in plain sawn wood

☆	B
❖	C
☆	H
❖	L
❖	M
❖	O
☆	QS
❖	U

8'



Woven Molding

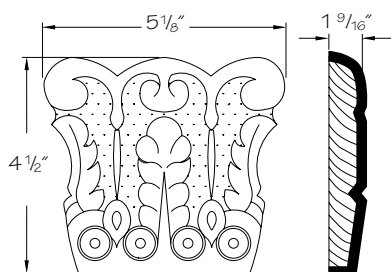
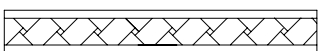
(price book pg. L16)

WNM8

- Solid wood
- Carved
- Apply with small brad
- Laminates are painted hardwood
- ☆ Oak supplied for Hickory
- ☆ Maple supplied for Birch
- ☆ Quartersawn door styles will be supplied in plain sawn wood

☆	B
❖	C
☆	H
❖	L
❖	M
❖	O
☆	QS
❖	U

8'



Acanthus Capital

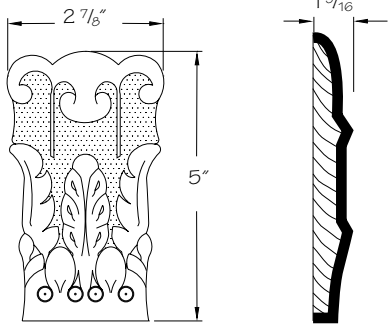
(price book pg. L16)

ASC

- Solid wood
- Laminates are painted hardwood
- Carved
- Apply with small brad
- ☆ Beech supplied for Hickory, Oak and Quartersawn Oak
- ☆ Maple supplied for Birch

☆	B
❖	C
☆	H
❖	L
❖	M
❖	O
☆	QS
❖	U

Note: Heavy, dark lines indicate finished surfaces.



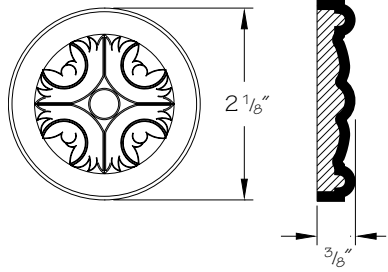
Tall Acanthus Capital

(price book pg. L16)

TASC

- Solid wood
- Laminates are painted hardwood
- Carved
- Apply with small brad
- ☆ Beech supplied for Hickory, Oak and Quartersawn Oak
- ☆ Maple supplied for Birch

☆	B
❖	C
☆	H
❖	L
❖	M
☆	O
☆	QS
❖	U



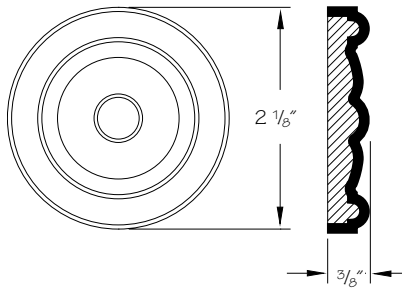
Acanthus Ornament

(price book pg. L16)

ASO

- Solid wood
- Laminates are painted hardwood
- Carved
- Apply with small brad
- ☆ Beech supplied for Hickory, Oak and Quartersawn Oak
- ☆ Maple supplied for Birch

☆	B
❖	C
☆	H
❖	L
❖	M
☆	O
☆	QS
❖	U



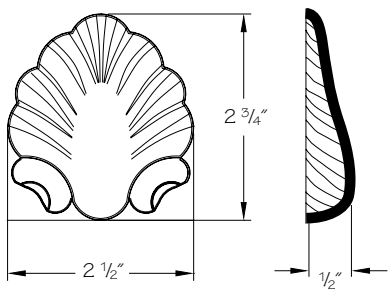
Plain Ornament

(price book pg. L16)

PNO

- Solid wood
- Laminates are painted hardwood
- Carved
- Apply with small brad
- ☆ Beech supplied for Hickory, Oak and Quartersawn Oak
- ☆ Maple supplied for Birch

☆	B
❖	C
☆	H
❖	L
❖	M
☆	O
☆	QS
❖	U



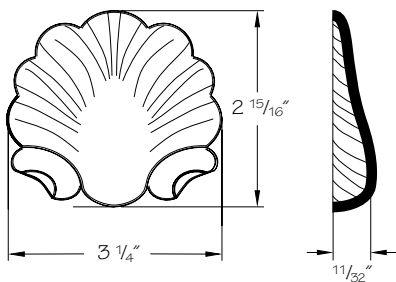
Small Shell Ornament

(price book pg. L16)

SSO

- Solid wood
- Laminates are painted hardwood
- Carved
- Apply with small brad
- ☆ Beech supplied for Hickory, Oak and Quartersawn Oak
- ☆ Maple supplied for Birch

☆	B
❖	C
☆	H
❖	L
❖	M
☆	O
☆	QS
❖	U



Large Shell Ornament

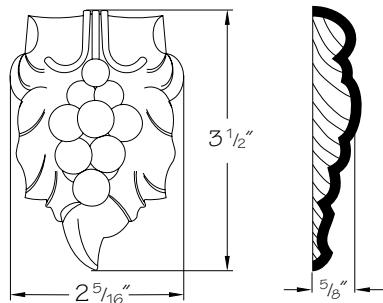
(price book pg. L16)

LSO

- Solid wood
- Laminates are painted hardwood
- Carved
- Apply with small brad
- ☆ Beech supplied for Hickory, Oak and Quartersawn Oak
- ☆ Maple supplied for Birch

☆	B
❖	C
☆	H
❖	L
❖	M
☆	O
☆	QS
❖	U

Note: Heavy, dark lines indicate finished surfaces.



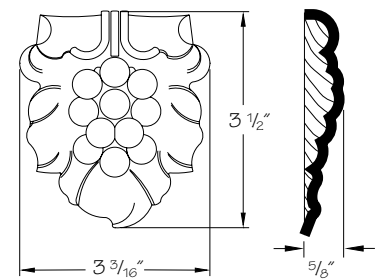
Small Grape Ornament

(price book pg. L16)

SGO

- Solid wood
- Laminates are painted hardwood
- Carved
- Apply with small brad
- ☆ Beech supplied for Hickory, Oak and Quartersawn Oak
- ☆ Maple supplied for Birch

☆	B
❖	C
☆	H
❖	L
❖	M
☆	O
☆	QS
❖	U



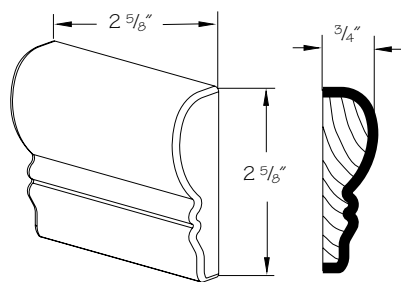
Large Grape Ornament

(price book pg. L16)

LGO

- Solid wood
- Laminates are painted hardwood
- Carved
- Apply with small brad
- ☆ Beech supplied for Hickory, Oak and Quartersawn Oak
- ☆ Maple supplied for Birch

☆	B
❖	C
☆	H
❖	L
❖	M
☆	O
☆	QS
❖	U



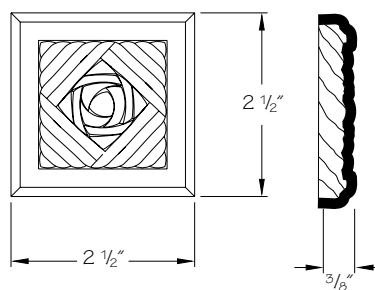
Cove Ornament

(price book pg. L16)

CVO

- Solid wood
- Laminates are painted hardwood
- ☆ Oak supplied for Hickory
- ☆ Maple supplied for Birch
- ☆ Quartersawn door styles will be supplied in plain sawn wood

☆	B
❖	C
☆	H
❖	L
❖	M
❖	O
☆	QS
❖	U



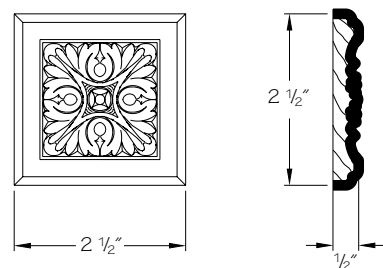
Casual Ornament

(price book pg. L16)

CAO

- Solid wood
- Apply with small brad

B	
C	
H	
L	
❖	M
O	
QS	
U	



Classic Ornament

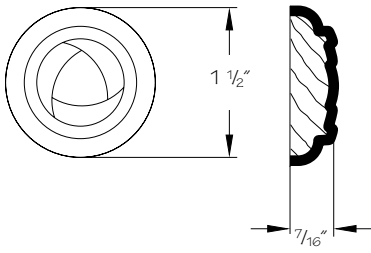
(price book pg. L16)

CLO

- Solid wood
- Apply with small brad

B	
❖	C
H	
L	
M	
O	
QS	
U	

Note: Heavy, dark lines indicate finished surfaces.



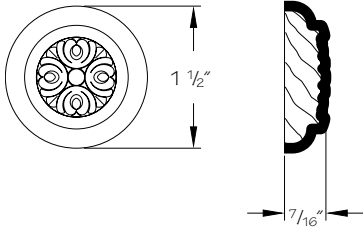
Casual Button Ornament

(price book pg. L16)

CABO

- Solid wood
- Apply with small brad

B
C
H
L
❖ M
O
QS
U



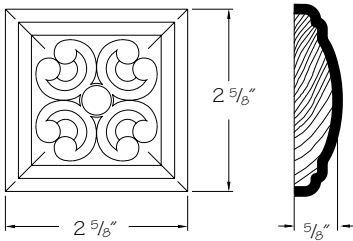
Classic Button Ornament

(price book pg. L16)

CLBO

- Solid wood
- Apply with small brad

B
❖ C
H
L
M
O
QS
U



Estate Ornament

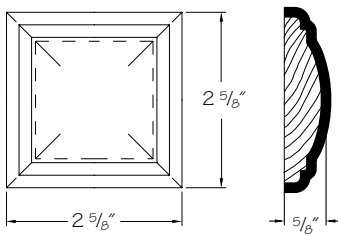
(price book pg. L16)

ESO

- Solid wood
- Carved
- Apply with small brad

B
❖ C
H
L
❖ M
O
QS
U

© 2007 OPI



Modern Ornament

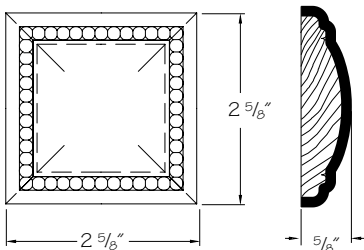
(price book pg. L16)

MRO

- Solid wood
- Carved
- Apply with small brad

B
❖ C
H
L
❖ M
O
QS
U

© 2007 OPI



Timeless Ornament

(price book pg. L17)

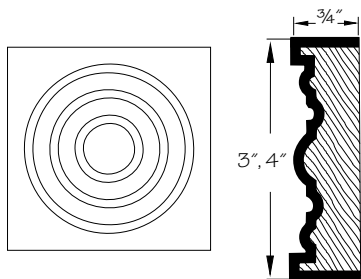
TLO

- Solid wood
- Carved
- Apply with small brad

B
❖ C
H
L
❖ M
O
QS
U

© 2007 OPI

Note: Heavy, dark lines indicate finished surfaces.



Rosette

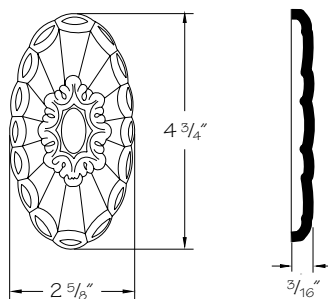
(price book pg. L17)

R33 3" x 3" x 3/4"

R44 4" x 4" x 3/4"

- Solid wood
- Laminates are painted hardwood
- ☆ Quartersawn door styles will be supplied in plain sawn wood

❖	B
❖	C
❖	H
❖	L
❖	M
❖	O
☆	QS
❖	U



Oval Rosette

(price book pg. L17)

OVR

- Wood veneer
- Laminates are painted hardwood
- Embossed design
- ☆ Birch supplied for Maple
- ☆ Quartersawn door styles will be supplied in plain sawn wood

❖	B
❖	C
❖	H
❖	L
☆	M
❖	O
☆	QS
❖	U



Acanthus Onlay

(price book pg. L17)

ASPO

- Solid wood
- Laminates are painted hardwood
- Carved
- Apply with small brad
- ☆ Beech supplied for Hickory, Oak and Quartersawn Oak
- ☆ Maple supplied for Birch

☆	B
❖	C
☆	H
❖	L
❖	M
☆	O
☆	QS
❖	U



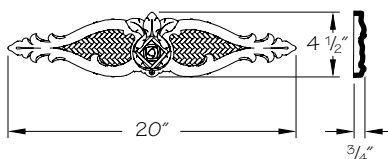
Braid Onlay

(price book pg. L17)

BRPO

- Solid wood
- Laminates are painted hardwood
- Carved
- Apply with small brad
- ☆ Beech supplied for Hickory, Oak and Quartersawn Oak
- ☆ Maple supplied for Birch

☆	B
❖	C
☆	H
❖	L
❖	M
☆	O
☆	QS
❖	U



Casual Onlay

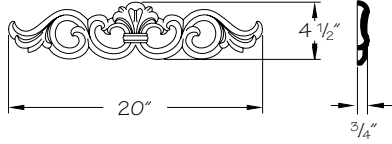
(price book pg. L17)

CAPO

- Solid wood
- Carved
- Apply with small brad

	B
	C
	H
	L
❖	M
	O
	QS
	U

Note: Heavy, dark lines indicate finished surfaces.



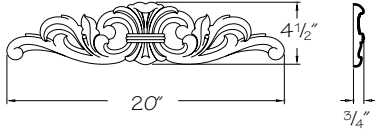
Classic Onlay

(price book pg. L17)

CLPO

- Solid wood
- Carved
- Apply with small brad

B
❖ C
H
L
M
O
QS
U



Estate Onlay

(price book pg. L17)

ESPO

- Solid wood
- Carved
- Apply with small brad

B
❖ C
H
L
❖ M
O
QS
U

© 2007 OPI



Grape Onlay

(price book pg. L17)

GRPO

- Solid wood
- Laminates are painted hardwood
- Carved
- Apply with small brad
- ☆ Beech supplied for Hickory, Oak and Quartersawn Oak
- ☆ Maple supplied for Birch

☆ B
❖ C
☆ H
❖ L
❖ M
☆ O
☆ QS
❖ U



Olive Leaf Onlay

(price book pg. L17)

OLPO

- Solid wood
- Laminates are painted hardwood
- Carved
- Apply with small brad
- ☆ Beech supplied for Hickory, Oak and Quartersawn Oak
- ☆ Maple supplied for Birch

☆ B
❖ C
☆ H
❖ L
❖ M
☆ O
☆ QS
❖ U



Shell Onlay

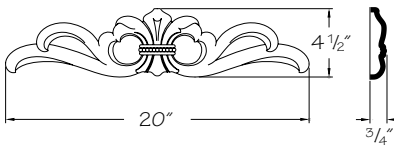
(price book pg. L17)

SHPO

- Solid wood
- Laminates are painted hardwood
- Carved
- Apply with small brad
- ☆ Beech supplied for Hickory, Oak and Quartersawn Oak
- ☆ Maple supplied for Birch

☆ B
❖ C
☆ H
❖ L
❖ M
☆ O
☆ QS
❖ U

Note: Heavy, dark lines indicate finished surfaces.



Timeless Onlay

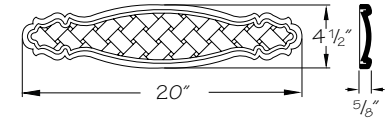
(price book pg. L17)

TLPO

- Solid wood
- Carved
- Apply with small brad

☆	B
◆	C
	H
	L
◆	M
	O
	QS
	U

© 2007 OPI



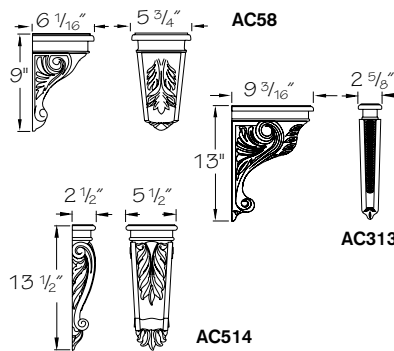
Woven Onlay

(price book pg. L17)

WNPO

- Solid wood
- Carved
- Apply with small brad
- Laminates are painted hardwood
- ☆ Beech supplied for Hickory, Oak and Quartersawn Oak
- ☆ Maple supplied for Birch

☆	B
◆	C
☆	H
◆	L
◆	M
☆	O
☆	QS
☆	U



Acanthus Corbel

(price book pg. L17)

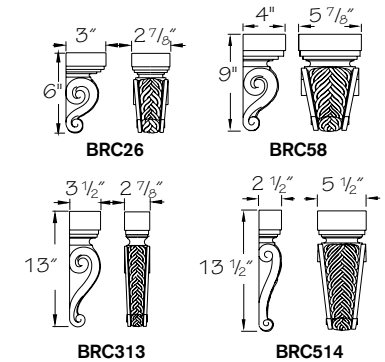
AC58

AC313

AC514

- Solid wood
- Laminates are painted hardwood
- ☆ Maple supplied for Birch
- ☆ Oak supplied for Hickory
- ☆ Quartersawn door styles will be supplied in plain sawn wood

☆	B
◆	C
☆	H
◆	L
◆	M
◆	O
☆	QS
◆	U



Braid Corbel

(price book pg. L17)

BRC26

BRC58

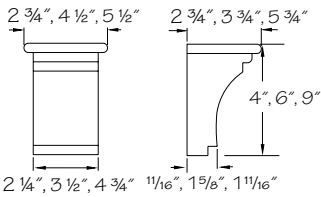
BRC313

BRC514

- Solid wood
- Laminates are painted hardwood
- ☆ Maple supplied for Birch
- ☆ Oak supplied for Hickory
- ☆ Quartersawn door styles will be supplied in plain sawn wood

☆	B
◆	C
☆	H
◆	L
◆	M
◆	O
☆	QS
◆	U

Note: Heavy, dark lines indicate finished surfaces.



CVC34, CVC46, CVC69

Cove Corbel

(price book pg. L17)

CVC34

CVC46

CVC29

CVC69

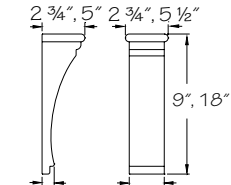
CVC212

CVC518

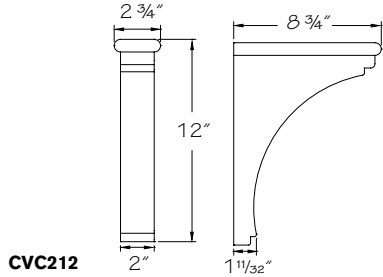
- Solid wood
- Laminates are painted hardwood
- ☆ Oak supplied for Hickory
- ☆ Maple supplied for Birch
- ☆ Quartersawn door styles will be supplied in plain sawn wood

☆	B
❖	C
☆	H
❖	L
❖	M
❖	O
☆	QS
❖	U

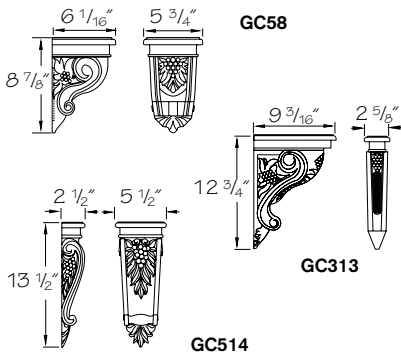
Color coding indicates new product, size or code



CVC29, CVC518



CVC212



Grape Corbel

(price book pg. L17)

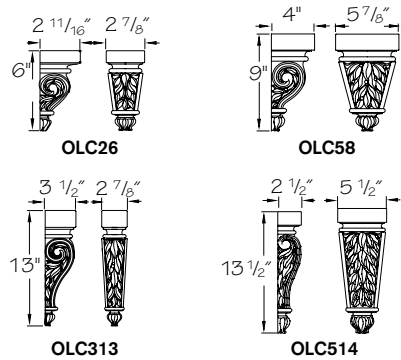
GC58

GC313

GC514

- Solid wood
- Laminates are painted hardwood
- ☆ Maple supplied for Birch
- ☆ Oak supplied for Hickory
- ☆ Quartersawn door styles will be supplied in plain sawn wood

☆	B
❖	C
☆	H
❖	L
❖	M
❖	O
☆	QS
❖	U



Olive Leaf Corbel

(price book pg. L17)

OLC26

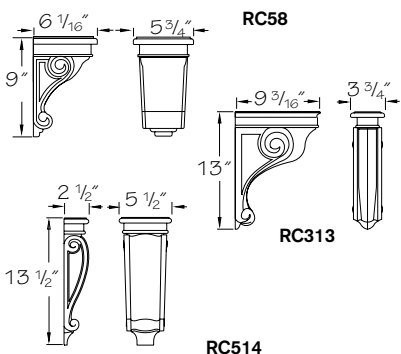
OLC58

OLC313

OLC514

- Solid wood
- Laminates are painted hardwood
- ☆ Maple supplied for Birch
- ☆ Oak supplied for Hickory
- ☆ Quartersawn door styles will be supplied in plain sawn wood

☆	B
❖	C
☆	H
❖	L
❖	M
❖	O
☆	QS
❖	U



Rosette Corbel

(price book pg. L17)

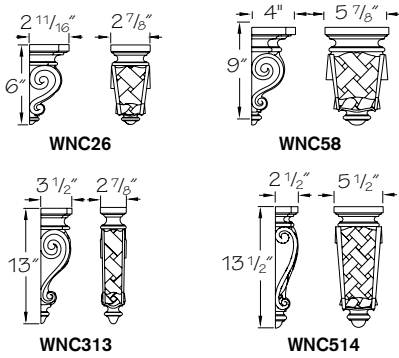
RC58

RC313

RC514

- Solid wood
- Laminates are painted hardwood
- ☆ Maple supplied for Birch
- ☆ Oak supplied for Hickory
- ☆ Quartersawn door styles will be supplied in plain sawn wood

☆	B
❖	C
☆	H
❖	L
❖	M
❖	O
☆	QS
❖	U



Woven Corbel

(price book pg. L17)

WNC26

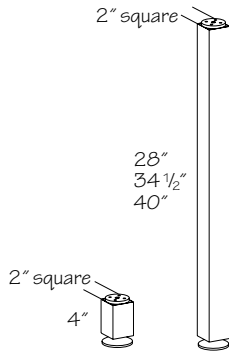
WNC58

WNC313

WNC514

- Solid wood
- Laminates are painted hardwood
- ☆ Maple supplied for Birch
- ☆ Oak supplied for Hickory
- ☆ Quartersawn door styles will be supplied in plain sawn wood

☆	B
❖	C
☆	H
❖	L
❖	M
❖	O
☆	QS
❖	U



Aluminum Square Leg

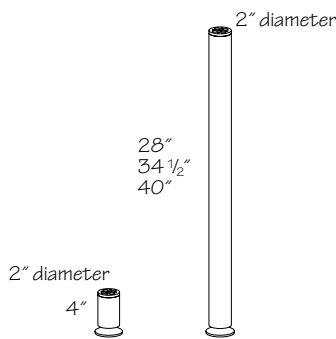
(price book pg. L18)

Adjustable from:

- ASL-4** 4" - 4 3/4"
- ASL-28** 28" - 29"
- ASL-34** 34 1/2" - 35 1/8"
- ASL-40** 40" - 40 7/8"

- Available in all door styles
- Mounting hardware not included
- Decorative feet, casters or legs should support the cabinet by way of the end panels, not the cabinet floor

❖	B
❖	C
❖	H
❖	L
❖	M
❖	O
❖	QS
❖	U



Aluminum Round Leg

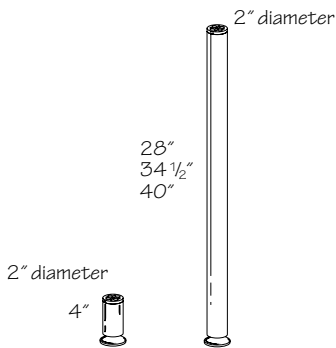
(price book pg. L18)

Adjustable from:

- ARL-4** 4" - 4 3/4"
- ARL-28** 28" - 29"
- ARL-34** 34 1/2" - 35 1/8"
- ARL-40** 40" - 40 1/8"

- Available in all door styles
- Mounting hardware not included
- Decorative feet, casters or legs should support the cabinet by way of the end panels, not the cabinet floor

❖	B
❖	C
❖	H
❖	L
❖	M
❖	O
❖	QS
❖	U



Stainless Round Leg

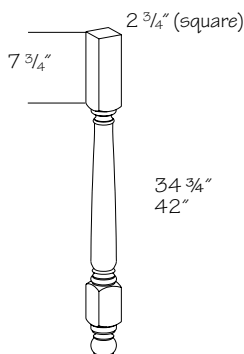
(price book pg. L18)

Adjustable from:

- SRL-4** 4" - 4 3/4"
- SRL-28** 28" - 29"
- SRL-34** 34 1/2" - 35 1/8"
- SRL-40** 40" - 40 7/8"

- Available in all door styles
- Mounting hardware not included
- Decorative feet, casters or legs should support the cabinet by way of the end panels, not the cabinet floor

❖	B
❖	C
❖	H
❖	L
❖	M
❖	O
❖	QS
❖	U



Classic Leg

(price book pg. L18)

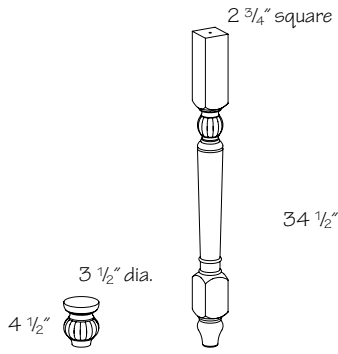
CL334

CL342

- Solid wood
- Laminates are painted hardwood
- Trimmable
- Decorative feet, casters or legs should support the cabinet by way of the end panels, not the cabinet floor
- ☆ Oak supplied for Hickory
- ☆ Quartersawn door styles will be supplied in plain sawn wood

❖	B
❖	C
☆	H
❖	L
❖	M
❖	O
☆	QS
❖	U

Note: Heavy, dark lines indicate finished surfaces.



Decorative Leg

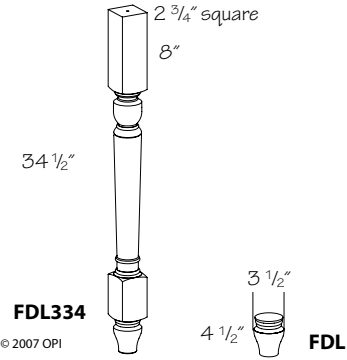
(price book pg. L18)

DCL

DL334

- Solid wood
- Trimmable
- Decorative feet, casters or legs should support the cabinet by way of the end panels, not the cabinet floor

B
❖ C
H
L
❖ M
O
QS
U



Federal Leg

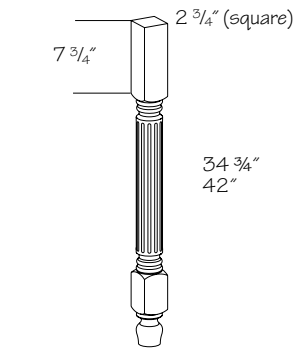
(price book pg. L18)

FDL

FDL334

- Solid wood
- Trimmable
- Decorative feet, casters or legs should support the cabinet by way of the end panels, not the cabinet floor

B
❖ C
H
L
❖ M
O
QS
U



Fluted Leg

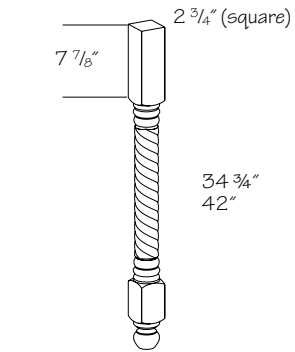
(price book pg. L18)

FL334

FL342

- Solid wood
- Laminates are painted hardwood
- Trimmable
- Decorative feet, casters or legs should support the cabinet by way of the end panels, not the cabinet floor
- ☆ Oak supplied for Hickory
- ☆ Quartersawn door styles will be supplied in plain sawn wood

❖ B
❖ C
☆ H
❖ L
❖ M
❖ O
☆ QS
❖ U



Rope Leg

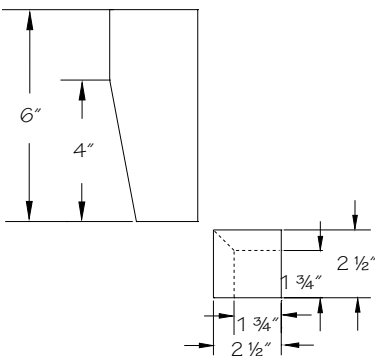
(price book pg. L18)

RL334

RL342

- Solid wood
- Laminates are painted hardwood
- Trimmable
- Decorative feet, casters or legs should support the cabinet by way of the end panels, not the cabinet floor
- ☆ Oak supplied for Hickory
- ☆ Quartersawn door styles will be supplied in plain sawn wood

❖ B
❖ C
☆ H
❖ L
❖ M
❖ O
☆ QS
❖ U



Tapered Leg

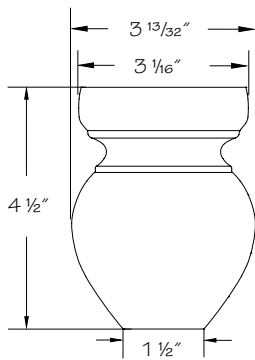
(price book pg. L18)

TPL

- Solid wood
- Laminates are painted hardwood
- Trimmable
- Decorative feet, casters or legs should support the cabinet by way of the end panels, not the cabinet floor
- ☆ Oak supplied for Hickory
- ☆ Quartersawn door styles will be supplied in plain sawn wood

❖ B
❖ C
☆ H
❖ L
❖ M
❖ O
☆ QS
❖ U

Note: Heavy, dark lines indicate finished surfaces.



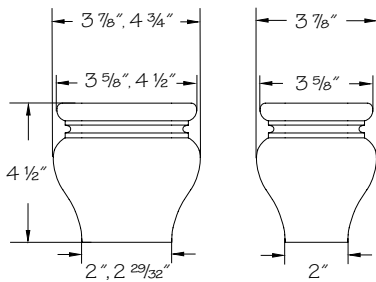
Apple Leg

(price book pg. L18)

APL

- Solid wood
- Laminates are painted hardwood
- Trimmable
- Decorative feet, casters or legs should support the cabinet by way of the end panels, not the cabinet floor
- ☆ Oak supplied for Hickory
- ☆ Maple supplied for Birch
- ☆ Quartersawn door styles will be supplied in plain sawn wood

☆	B
❖	C
☆	H
❖	L
❖	M
❖	O
☆	QS
❖	U



Cove Leg

(price book pg. L18)

CVL 4 3/4" x 3 7/8"

CVL -2 3 7/8" x 3 7/8" (square)

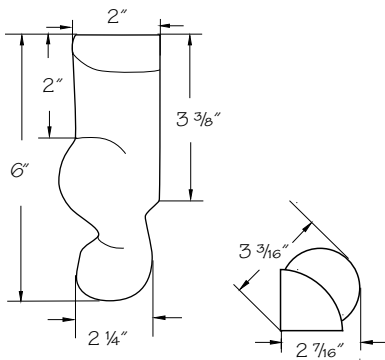
Color coding indicates new product, size or code

- Solid wood
- Laminates are painted hardwood
- Decorative feet, casters or legs should support the cabinet by way of the end panels, not the cabinet floor
- ☆ Oak supplied for Hickory
- ☆ Maple supplied for Birch
- ☆ Quartersawn door styles will be supplied in plain sawn wood

☆	B
❖	C
☆	H
☆	L
❖	M
❖	O
☆	QS
❖	U

Front

Side



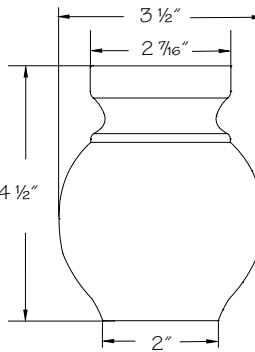
French Leg

(price book pg. L18)

FRL

- Solid wood
- Laminates are painted hardwood
- Trimmable
- Decorative feet, casters or legs should support the cabinet by way of the end panels, not the cabinet floor
- ☆ Maple supplied for Birch, Hickory, Oak and Quartersawn Oak

☆	B
❖	C
☆	H
❖	L
❖	M
☆	O
☆	QS
❖	U



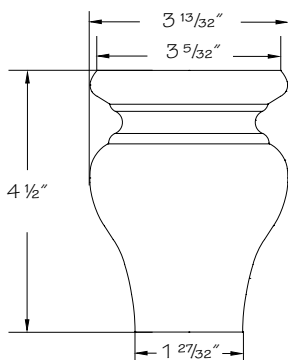
Medium Squat Leg

(price book pg. L18)

MSL

- Solid wood
- Laminates are painted hardwood
- Trimmable
- Decorative feet, casters or legs should support the cabinet by way of the end panels, not the cabinet floor
- ☆ Oak supplied for Hickory
- ☆ Maple supplied for Birch
- ☆ Quartersawn door styles will be supplied in plain sawn wood

☆	B
❖	C
☆	H
❖	L
❖	M
❖	O
☆	QS
❖	U



Tulip Leg

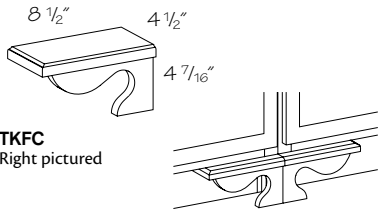
(price book pg. L18)

TLL

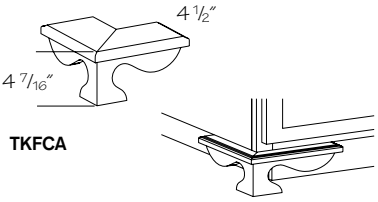
- Solid wood
- Laminates are painted hardwood
- Trimmable
- Decorative feet, casters or legs should support the cabinet by way of the end panels, not the cabinet floor
- ☆ Oak supplied for Hickory
- ☆ Maple supplied for Birch
- ☆ Quartersawn door styles will be supplied in plain sawn wood

☆	B
❖	C
☆	H
❖	L
❖	M
❖	O
☆	QS
❖	U

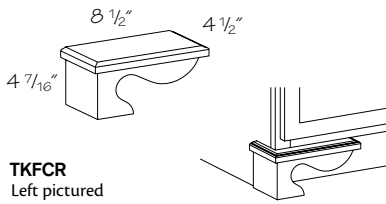
Note: Heavy, dark lines indicate finished surfaces.



TKFC
Right pictured



TKFCA



TKFCR
Left pictured

Toe Kick Furniture Corner

(price book pg. L18)

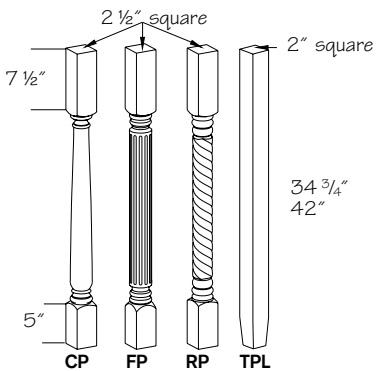
TKFC -R or L

TKFCA

TKFCR -R or L

- Solid wood
- Laminates are painted hardwood
- When using TKFCA with base cabinets specify recessed toe kick
- Decorative feet, casters or legs should support the cabinet by way of the end panels, not the cabinet floor
- ☆ Quartersawn door styles will be supplied in plain sawn wood

❖	B
❖	C
❖	H
❖	L
❖	M
❖	O
☆	QS
❖	U



Decorative Posts

(price book pg. L18)

Classic

CP234

CP242

Fluted

■ **FP234**

■ **FP242**

Rope

RP234

RP242

Tapered

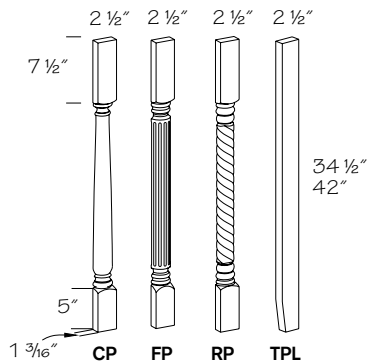
TPL34

TPL42

- Not available in Morrystown; Melrose and Brockton are plain sawn wood

- Solid wood
- Laminates are painted hardwood
- Trimmable
- ☆ Oak supplied for Hickory
- ☆ Quartersawn door styles will be supplied in plain sawn wood

❖	B
❖	C
☆	H
❖	L
❖	M
❖	O
☆	QS
❖	U



Split Decorative Posts

(price book pg. L18)

Classic

CP234 -S

CP242 -S

Fluted

■ **FP234 -S**

■ **FP242 -S**

Rope

RP234 -S

RP242 -S

Tapered

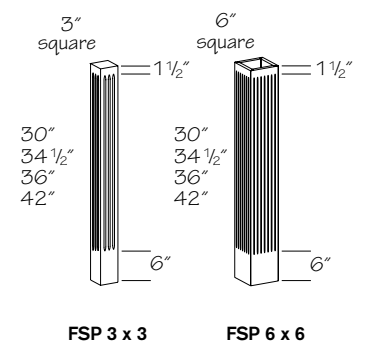
TPL34 -S

TPL42 -S

- Not available in Morrystown; Melrose and Brockton are plain sawn wood

- Solid wood
- Laminates are painted hardwood
- Trimmable
- ☆ Oak supplied for Hickory
- ☆ Quartersawn door styles will be supplied in plain sawn wood

❖	B
❖	C
☆	H
❖	L
❖	M
❖	O
☆	QS
❖	U



Fluted Square Posts

(price book pg. L19)

FSP3X3-30

FSP6X6-30

FSP3X3-34

FSP6X6-34

FSP3X3-36

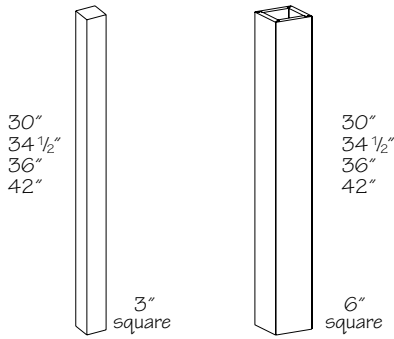
FSP6X6-36

FSP3X3-42

FSP6X6-42

- Solid wood
- Laminates are painted hardwood
- ☆ Not available in Morrystown; Melrose and Brockton are plain sawn wood

❖	B
❖	C
❖	H
❖	L
❖	M
❖	O
☆	QS
❖	U



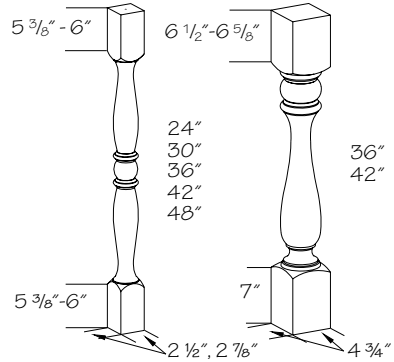
Plain Square Posts

(price book pg. L19)

- PSP3X3-30**
- PSP6X6-30**
- PSP3X3-34**
- PSP6X6-34**
- PSP3X3-36**
- PSP6X6-36**
- PSP3X3-42**
- PSP6X6-42**

- Solid wood
- Laminates are painted hardwood
- ☆ Quartersawn door styles will be supplied in plain sawn wood

❖	B
❖	C
❖	H
❖	L
❖	M
❖	O
☆	QS
❖	U



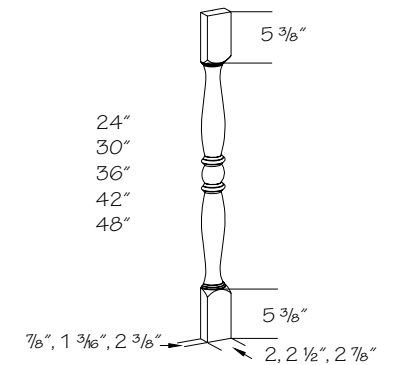
Spindles

(price book pg. L19)

- SP224** 2" x 2" x 24"
- SP230** 2 1/2" x 2 1/2" x 30"
- SP336** 2 7/8" x 2 7/8" x 36"
- SP536** 4 3/4" x 4 3/4" x 36"
- SP342** 2 7/8" x 2 7/8" x 42"
- SP542** 4 3/4" x 4 3/4" x 42"
- SP348** 2 7/8" x 2 7/8" x 48"

- Solid wood
- Laminates are painted hardwood
- Trimmable 4" each end; SP224 trimmable 5"
- ☆ Oak supplied for Hickory
- ☆ Quartersawn door styles will be supplied in plain sawn wood

❖	B
❖	C
☆	H
❖	L
❖	M
❖	O
☆	QS
❖	U



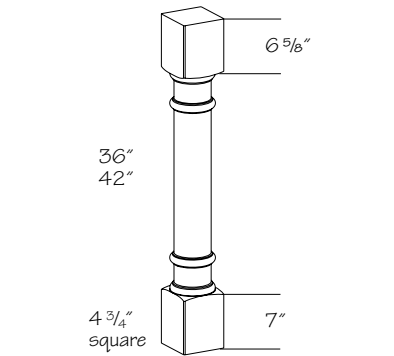
Split Spindles

(price book pg. L19)

- SP224 -S** 2" x 7/8" x 24"
- SP230 -S** 2 1/2" x 1 3/16" x 30"
- SP336 -S** 2 7/8" x 1 3/8" x 36"
- SP342 -S** 2 7/8" x 1 3/8" x 42"
- SP348 -S** 2 7/8" x 1 3/8" x 48"

- Solid wood
- Laminates are painted hardwood
- Trimmable 4" each end; SP224-S trimmable 5"
- ☆ Oak supplied for Hickory
- ☆ Quartersawn door styles will be supplied in plain sawn wood

❖	B
❖	C
☆	H
❖	L
❖	M
❖	O
☆	QS
❖	U



Roman Spindles

(price book pg. L19)

- RSP536**
- RSP542**
- Solid wood
- Laminates are painted hardwood
- ☆ Oak supplied for Hickory
- ☆ Quartersawn door styles will be supplied in plain sawn wood

❖	B
❖	C
☆	H
❖	L
❖	M
❖	O
☆	QS
❖	U

Note: Heavy, dark lines indicate finished surfaces.