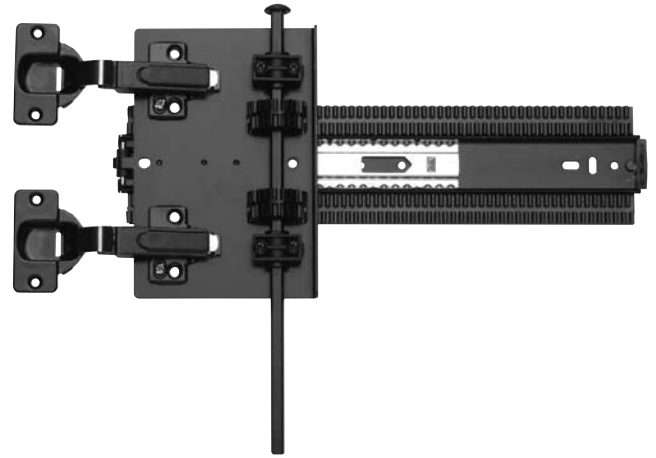


8091, 8092 4X4 Pocket Door® Slide

Number	8091 Packaged Without Hinge or Hinge Base 8092 Packaged With Attached Hinge Base	
Mounting Action	Side Ball Bearing Movement	
Load Rating	75-Pound Class	
Maximum Dimensions	Vertical Doors: 72" High x 26" Wide	
Clearance	Maximum Slide Width Including Hinges:	
	Type	Standard Salice
Finish	Self-Close Hinge	1-23/32" 1-21/32"
	Free-Swing Hinge	1-23/32" 1-21/32"
	Overlay Hinge	1-23/32" 1-7/8"
	Thick Door Hinge	2-3/32" 2-5/16"
	Extra-Thick Door Hinge	2-13/32" 2-5/16"
Key Features	Ebony Black (EB)	
	<ul style="list-style-type: none"> • Rack and pinion design • Multiple hinge options • Greatly reduces door sag • Requires partition installation 	



Size, Finish, & Pack Availability

Available Pack Configurations	Screws
Poly (P) 1 Set per Bag; 6 Sets per Carton	Yes

8091 Ebony Black (EB) Finish			8092 Ebony Black (EB) Finish		
Size	Poly (P)		Size	Poly (P)	
12 in.	8091P EB 12		12 in.	8092P EB 12	
13 in.	8091P EB 13		13 in.	8092P EB 13	
14 in.	8091P EB 14		14 in.	8092P EB 14	
15 in.	8091P EB 15		15 in.	8092P EB 15	
16 in.	8091P EB 16		16 in.	8092P EB 16	
18 in.	8091P EB 18		18 in.	8092P EB 18	
20 in.	8091P EB 20		20 in.	8092P EB 20	
22 in.	8091P EB 22		22 in.	8092P EB 22	
24 in.	8091P EB 24		24 in.	8092P EB 24	
26 in.	8091P EB 26		26 in.	8092P EB 26	
28 in.	8091P EB 28		28 in.	8092P EB 28	
30 in.	8091P EB 30		30 in.	8092P EB 30	

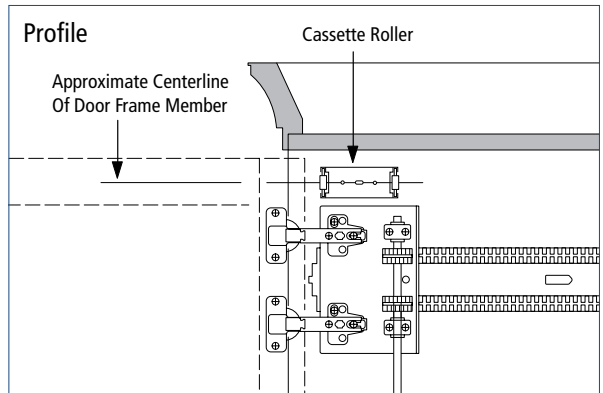
Recommended Fasteners	KV Part	Finish	Qty.
#6 x 13/32" Phillips Panhead	1300-23	Zinc (ZC)	1000

Pinion Shafts

8090B Pinion Shafts for 8091/8092 4x4 Pocket Door® Slides

- Pinion Shafts can be cut to length

Available Pack Configurations		8090B Pinion Shaft Ebony Black (EB) Finish			8092SB Pinion Shaft Ebony Black (EB) Finish		
SB Pack (SB)	1 pair of shafts	Size	Bulk (B)	Qty.	Size	SB	Qty.
Bulk (B) Pack	10 each	36 in.	8090B 36	10	36 in.	8092SB 36	2
		48 in.	8090B 48	10	48 in.	8092SB 48	2
		72 in.	8090B 72	10	72 in.	8092SB 72	2



8081, 8082 Compatible Hinges

Standard Hinge Kits

Available Pack Configurations	
Hinge Kit (K)	2 Hinges per Kit, 10 Kits per Carton.
Hinge Pack (P)	40 Hinges per Carton

Nickel Hinges (for use with 8082P & 8082Q)

Kit (K)	Pack (P)	Hinge Cup Size	Door Thickness
8080HKEZS	8080HPEZS	35mm	3/4"
8080HKEZL	8080HPEZL	40mm	3/4" Overlay
8080HKEZF	8080HPEZF	35mm	3/4" Free Swing
8085HKEZT	8085HPEZT	40mm	1"
8086HKEZX	8086HPEZX	40mm	1-1/4"

Ebony Black (EB) Hinges (for use with 8082P & 8082Q)

Kit (K)	Pack (P)	Hinge Cup Size	Door Thickness
8080HKEZS EB	8080HPEZS EB	35mm	3/4"
8080HKEZL EB	8080HPEZL EB	40mm	3/4" Overlay
8080HKEZF EB	8080HPEZF EB	35mm	3/4" Free Swing
8085HKEZT EB	8085HPEZT EB	40mm	1"
8086HKEZX EB	8086HPEZX EB	40mm	1-1/4"

Salice Hinge Kits

Available Pack Configurations	
Hinge Kit (K)	2 Hinges per Kit, 10 Kits per Carton.

Salice Hinges (for use with 8081P) Nickel Finish

Kit (K)	Hinge Cup Size	Door Thickness
8080 HKS SAL	35mm	3/4"
8080 HKF SAL	35mm	3/4" Free swing
8080 HKL SAL	40mm	3/4" Overlay
8086 HKX SAL	40mm	1-1/4" Door

Salice Hinges (for use with 8081P) Black (BLK) Finish

Kit (K)	Hinge Cup Size	Door Thickness
8080 HKS SAL EB	35mm	3/4"
8080 HKL SAL EB	40mm	3/4" Overlay
8086 HKX SAL EB	40mm	1-1/4" Door

For additional information on our Salice Hinge offerings, please see page 40.

Roller

8090P CR Raised Panel Cassette Roller



- Additional protection for raised panel doors

Product	Pack
8090P CR	1 per Poly Pack w/screws

KV Pack Availability Code

Stock Item
Special Order



KNAPE & VOGT
800.253.1561
www.kv.com